

Pre-Wash machine Metos WD-PRM6A 400V3N~

Hood-type pre-wash machine. The minimum cold water pressure in the automatic hood lifting system is 300 kPa.

- replaces the manual pre-rinsing that often gives occupational injuries.
- the unique reusing of excess wash water gives significant savings of total amount used water.
- highly effective pre-rinsing and soaking of the wash wares gives improved wash results.
- program starts automatically when basket is detected into machine
- automatic hood lift and closing improves ergonomics and working environment in dishwashing
- noise and heat insulated
- basket size 500x500mm

Optional accessories:

- connection kit between PRM and WD-6/6A, L=130mm
4246108
- connection kit between PRM and WD-6/6A, L=300mm
4246109
- connection kit with cabinet between PRM and WD-6/6A,
L=300mm 4246110



Pre-Wash machine Metos WD-PRM6A 400V3N~

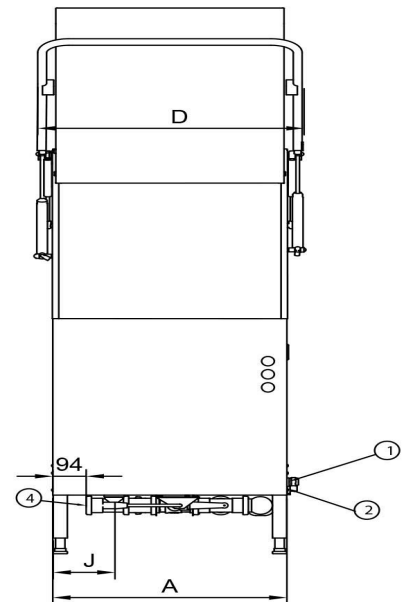
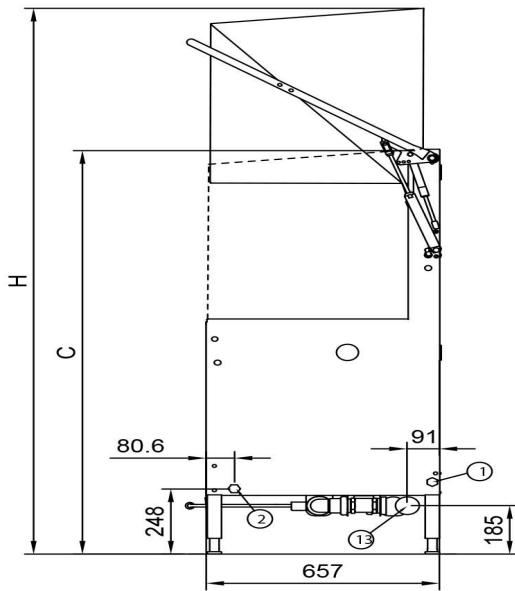
Product capacity	a. 50 racks/hour
Inside measures mm	545x506x405
Item width mm	600/723
Item depth mm	657/700
Item height mm	1430/1880
Package volume	0.847
Unit of volume	m3
Package volume	0.847 m3
Package length	76.5
Package width	71
Package height	156
Package unit of dimension	cm
Package dimensions (LxWxH)	76.5x71x156 cm
Net weight	105
Net weight	105 kg
Gross weight	120
Package weight	120 kg
Unit of weight	kg
Connection power kW	0.9
Fuse Size A	10
Connection voltage V	400
Number of phases	3NPE
Frequency Hz	50
Protection rating (IP)	45
Type of electrical connection	Semifixed
Electrical conn. height mm	550±50
Cold water diam.	R1/2"
Cold water min pressure kPa	180
Hot water conn. height mm	232

Pre-Wash machine Metos WD-PRM6A 400V3N~

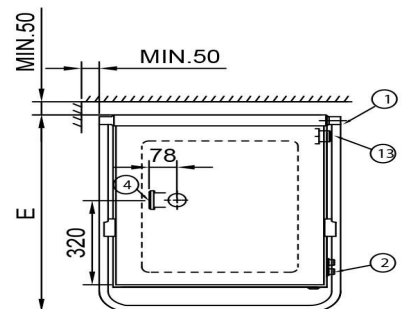
Drain diameter	50
Drain flow l/s	3
Drain conn. height mm	185
Sound level dB	64
Power type	electric
Operation type	electronical
Cleaning	hand wash
Washing basket size mm	500x500
Programmability	ready programs;programmable
Amount of programs	1
Insulation	insulated
Method of washing	normal wash
Drain pump	No
Automatic hood lift	Yes



METOS WD PRM-6, WD PRM-7



- ② R 1/2", PRM6 180 kPa, PRM7 300kPa
- ④ ø50, 3 l/s
- ⑬ FROM DISHWASHER TO PRM, ø50



Metos	A	C	D	E	H	J
WD-PRM6	600	1430	685	707	1900	142
WD-PRM7	660	1540	745	713	2085	172