

## Dishwasher Metos WD-6 with condensing unit

Good working environment, excellent hygiene and optimal washing results make the Metos WD-6 dishwasher one of the best hood-type dishwashers available in the market.

The Metos WD-6 dishwasher is equipped with a steam condenser which improves room air quality significantly and saves energy as well. The steam condenser condenses the steam produced during the final rinsing cycle. The condenser helps to utilise the heat for warming up the cold water entering the dishwasher. In this way cool air is expelled into the premises which helps to improve the room air quality.

The washing programme of the dishwasher starts when the hood is closed. The washing and rinsing times as well as the rinsing water temperature may be adjusted as necessary which enables creation of an individual washing programme for example for fine porcelain using a lower rinsing water temperature. Alarms for a too low water temperature and an insufficient amount of rinsing water. If the rinsing water temperature falls below 85°C, the washing cycle continues until the required rinsing water temperature has been reached. The dishwasher checks the availability of sufficient rinsing water capacity, and an alarm sounds if there is not enough rinsing water. Washing water is removed from the washing arms prior to rinsing to protect clean dishes from the dripping washing water. The unique structure of the hood prevents steam from rising towards the face of the user when the hood is being opened.

The chosen programme, temperature and the remaining washing time are displayed on the control



panel. Additionally, the total daily number as well as the total over-all number of baskets loaded and washed in the machine are displayed on the control panel. The dishwasher informs the user of a closed water tap as well as of a detached overflow pipe. The dishwasher is easy to keep clean with the help of an automatic cleaning programme. The stand-by function enables maintaining the basin temperature during longer pauses between wash cycles. When the stand-by function is on, the hood of the dishwasher is closed and the washing programme cannot be started.

- steam condenser (for cold water tap connected dishwashers)
- three washing cycles: 1.2, 1.7 and 3.2 minutes
- free height of the washing area is 405 mm
- automatic cleaning programme
- diagnostics
- stand-by function
- unclogging washing arms
- pump power output 0.9 kW
- booster heater 12 kW
- electronic control
- sound and thermal insulation
- basin volume 50 l
- basket size 500x500 mm

#### DELIVERY INCLUDES:

- rinse dosage device
- basket for plates
- basket for cups
- cutlery basket

#### ACCESSORIES (ordered separately)

- liquid washing detergent dosage device
- HACCP (WEB Tool)
- steam hood is installed at the back of the dishwasher preventing the steam from entering the room and guides it to the ventilation duct.
- equipped with a high pressure pump
- equipped with a bilge pump
- automatic control for ventilation blower panel. Additionally, the total daily number as well as the total over-all number of baskets loaded and washed in the machine are displayed on the control panel. The dishwasher informs the user of a closed water tap as well as of a detached overflow pipe. The dishwasher is easy to keep clean with the help of an automatic cleaning programme. The stand-by function enables maintaining the basin temperature during longer pauses between wash cycles. When the stand-by function is on, the hood of the dishwasher is closed and the washing programme cannot be started.

- steam condenser (for cold water tap connected dishwashers)
- three washing cycles: 1.2, 1.7 and 3.2 minutes
- free height of the washing area is 405 mm
- automatic cleaning programme
- diagnostics
- stand-by function
- unclogging washing arms
- pump power output 0.9 kW
- booster heater 12 kW
- electronic control
- sound and thermal insulation
- basin volume 50 l

- basket size 500x500 mm

DELIVERY INCLUDES:

- rinse dosage device
- basket for plates
- basket for cups
- cutlery basket

ACCESSORIES (ordered separately)

- liquid washing detergent dosage device
- HACCP (WEB Tool)
- steam hood is installed at the back of the dishwasher preventing the steam from entering the room and guides it to the ventilation duct.
- equipped with a high pressure pump
- equipped with a bilge pump
- automatic control for ventilation blower

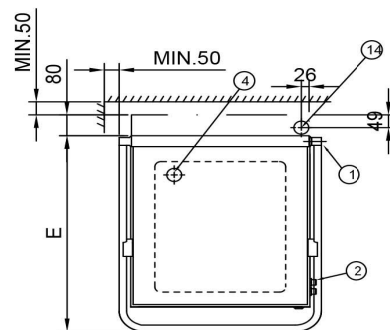
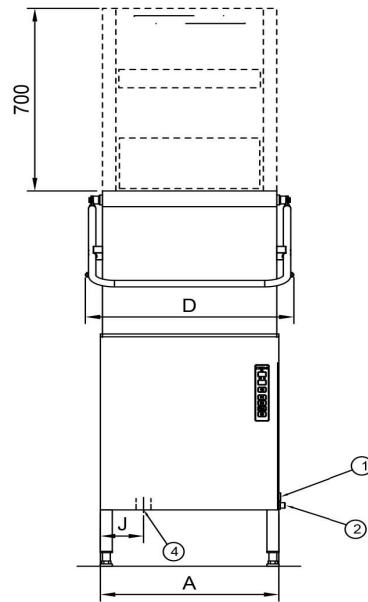
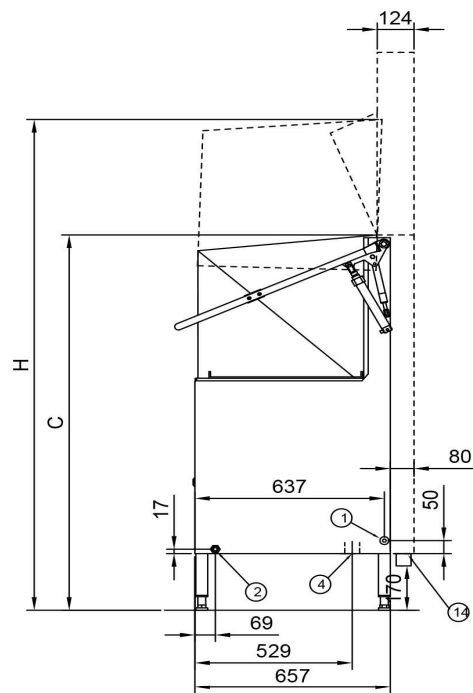
## Dishwasher Metos WD-6 with condensing unit

Product capacity	a. 47 racks/hour
Inside measures mm	545x506x405
Item width mm	600/723
Item depth mm	657/700
Item height mm	1447/2146
Package volume	1.011
Unit of volume	m3
Package volume	1.011 m3
Package length	71
Package width	77
Package height	185
Package unit of dimension	cm
Package dimensions (LxWxH)	71x77x185 cm
Net weight	134
Net weight	134 kg
Gross weight	150
Package weight	150 kg
Unit of weight	kg
Connection power kW	12.9
Fuse Size A	25
Connection voltage V	400
Number of phases	3NPE
Frequency Hz	50
Protection rating (IP)	45
Type of electrical connection	Semifixed
Electrical conn. height mm	550±50
Cold water diam.	1/2"
Cold water flow l/min	18
Cold water conn. height mm	232

## Dishwasher Metos WD-6 with condensing unit

Hot water flow l/min	18
Drain diameter	50
Drain flow l/s	3
Drain conn. height mm	215
Sound level dB	61
Boiler power kW	12
Power type	electric
Operation type	electronical
Cleaning	washing program
Washing basket size mm	500x500
Programmability	ready programs;programmable
Amount of programs	3
Insulation	insulated
Method of washing	normal wash
Drain pump	No
Automatic hood lift	No
Model	WD-6

**METOS WD-6 & WD-7 LÄMMÖNTALTEENOTTO / HEAT RECOVERY**



- ② R 1/2", 180 kPa, Autostart 300 kPa
- ④ ø50, 3 l/s
- ⑭ ONLY HEAT EXCHANGER, ø50, 3 l/s

Metos	A	C	D	E	H	J
WD-6	600	1430	695	700	1880	145
WD-6Autostart	600	1430	710	700	1880	145
WD-7	660	1540	755	720	2080	175
WD-7Autostart	660	1540	770	720	2080	175