

Dishwasher Metos WD-7A with condensing unit

Good working environment, excellent hygiene and optimal washing results make the Metos WD-7A combined dishwasher one of the best hood-type dishwashers available in the market.

The Metos WD-7A dishwasher is equipped with a steam condenser which improves room air quality significantly and saves energy as well. The steam condenser condenses the steam produced during the final rinsing cycle. The condenser helps to utilise the heat for warming up the cold water entering the dishwasher. In this way cool air is expelled into the premises which helps to improve the room air quality.

The Metos WD-7A dishwasher has an automatic hood lifting system which is operated with a push button. The minimum cold water pressure in the automatic hood lifting system is 300 kPa. The bottom washing jet's pressure may be adjusted to suit washing of pots and pans which, together with the three washing programmes of the dishwasher, increase flexibility and make the machine suitable for various dishwashing needs. The height (505 mm) and width (605 mm) inside the hood enable washing of plates, glasses and cutlery as well as baking trays, large bowls, GN dishes and 600x400 transport boxes.

The washing and rinsing times as well as the rinsing water temperature may be adjusted as necessary which enables creation of an individual washing programme for example for pans. Alarms for a too low water temperature and an insufficient amount of rinsing water. If the rinsing water temperature falls below 85°C, the washing cycle continues until the required rinsing water temperature has



been reached. The dishwasher checks the availability of sufficient rinsing water capacity for the final rinsing cycle, and an alarm sounds if there is not enough rinsing water. Washing water is removed from the washing arms prior to rinsing to protect clean dishes from the dripping washing water. The unique structure of the hood prevents steam from rising towards the face of the user when the hood is being opened.

The chosen programme, temperature and the remaining washing time are displayed on the control panel. Additionally, the total daily number as well as the total over-all number of baskets loaded and washed in the machine are displayed on the control panel. The dishwasher informs the user of a closed water tap as well as of a detached overflow pipe. The dishwasher is easy to keep clean with the help of an automatic cleaning programme. The stand-by function enables maintaining the basin temperature during longer pauses between wash cycles. When the stand-by function is on, the hood of the dishwasher is closed and the washing programme cannot be started.

- automatic lifting and lowering of the hood
- steam condenser (for cold water tap connected dishwashers)
- three washing cycles: 1.2, 1.7 and 3.2 minutes
- free height of the washing area is 505 mm
- automatic cleaning programme
- diagnostics
- stand-by function
- unclogging washing arms
- pump power output 1.1 kW
- booster heater 12 kW
- electronic control
- sound and thermal insulation
- basin volume 52 l
- basket size 500x500 mm

DELIVERY INCLUDES:

- rinse dosage device
- basket for plates
- basket for cups
- cutlery basket

ACCESSORIES (ordered separately)

- liquid washing detergent dosage device
- HACCP (WEB Tool)
- steam hood is installed at the back of the dishwasher preventing the steam from entering the room and guides it to the ventilation duct.
- equipped with a high pressure pump
- equipped with a bilge pump
- control automatic for ventilation blower been reached. The dishwasher checks the availability of sufficient rinsing water capacity for the final rinsing cycle, and an alarm sounds if there is not enough rinsing water. Washing water is removed from the washing arms prior to rinsing to protect clean dishes from the dripping washing water. The unique structure of the hood prevents steam from rising towards the face of the user when the hood is being opened.

The chosen programme, temperature and the remaining washing time are displayed on the control panel. Additionally, the total daily number as well as the total over-all number of baskets loaded and washed in the machine are displayed on the control panel. The dishwasher informs the user of a closed water tap as well as of a detached overflow pipe. The dishwasher is easy to keep clean with the help of an automatic cleaning programme. The stand-by function enables maintaining the basin temperature during longer pauses between wash cycles. When the stand-by function is on, the hood of the dishwasher is closed and the washing

programme cannot be started.

- automatic lifting and lowering of the hood
- steam condenser (for cold water tap connected dishwashers)
- three washing cycles: 1.2, 1.7 and 3.2 minutes
- free height of the washing area is 505 mm
- automatic cleaning programme
- diagnostics
- stand-by function
- unclogging washing arms
- pump power output 1.1 kW
- booster heater 12 kW
- electronic control
- sound and thermal insulation
- basin volume 52 l
- basket size 500x500 mm

DELIVERY INCLUDES:

- rinse dosage device
- basket for plates
- basket for cups
- cutlery basket

ACCESSORIES (ordered separately)

- liquid washing detergent dosage device
- HACCP (WEB Tool)
- steam hood is installed at the back of the dishwasher preventing the steam from entering the room and guides it to the ventilation duct.
- equipped with a high pressure pump
- equipped with a bilge pump
- control automatic for ventilation blower

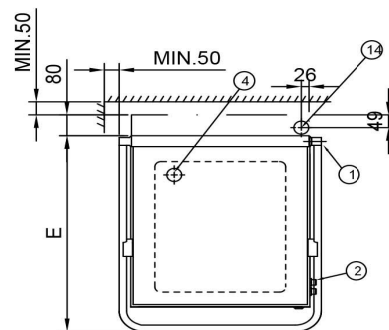
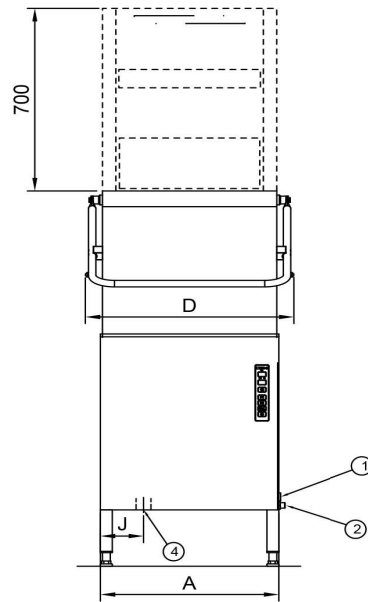
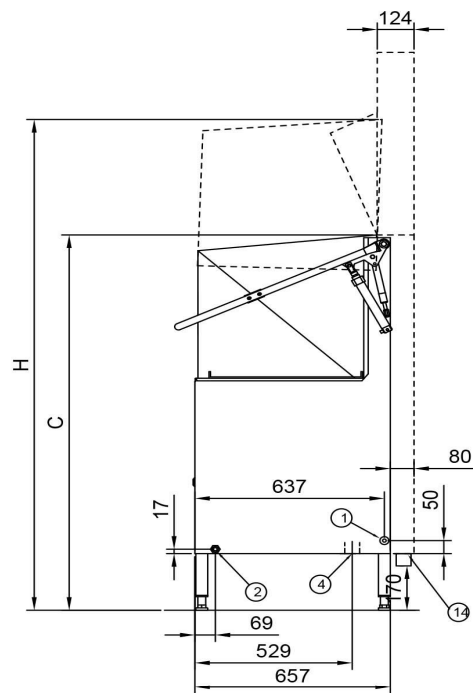
Dishwasher Metos WD-7A with condensing unit

| | |
|-------------------------------|---------------------|
| Product capacity | about 47 racks/hour |
| Inside measures mm | 605x506x505 |
| Item width mm | 660/782 |
| Item depth mm | 657/739 |
| Item height mm | 1547/2247 |
| Package volume | 1.279 |
| Unit of volume | m3 |
| Package volume | 1.279 m3 |
| Package length | 83 |
| Package width | 79 |
| Package height | 195 |
| Package unit of dimension | cm |
| Package dimensions (LxWxH) | 83x79x195 cm |
| Net weight | 146 |
| Net weight | 146 kg |
| Gross weight | 155 |
| Package weight | 155 kg |
| Unit of weight | kg |
| Connection power kW | 13.1 |
| Fuse Size A | 25 |
| Connection voltage V | 400 |
| Number of phases | 3NPE |
| Frequency Hz | 50 |
| Protection rating (IP) | 45 |
| Type of electrical connection | Semifixed |
| Electrical conn. height mm | 570±50 |
| Cold water diam. | 1/2" |
| Cold water flow l/min | 18 |
| Cold water min pressure kPa | 300 |

Dishwasher Metos WD-7A with condensing unit

| | |
|----------------------------|-----------------------------|
| Cold water conn. height mm | 232 |
| Hot water flow l/min | 18 |
| Drain diameter | 50 |
| Drain flow l/s | 3 |
| Drain conn. height mm | 215 |
| Sound level dB | 61 |
| Boiler power kW | 12 |
| Power type | electric |
| Operation type | electrical |
| Cleaning | washing program |
| Washing basket size mm | 500x500 |
| Programmability | ready programs;programmable |
| Amount of programs | 3 |
| Insulation | insulated |
| Method of washing | normal wash |
| Drain pump | No |
| Automatic hood lift | Yes |
| Model | WD-7 |

METOS WD-6 & WD-7 LÄMMÖNTALTEENOTTO / HEAT RECOVERY



- ② R 1/2", 180 kPa, Autostart 300 kPa
- ④ ø50, 3 l/s
- ⑭ ONLY HEAT EXCHANGER, ø50, 3 l/s

| Metos | A | C | D | E | H | J |
|---------------|-----|------|-----|-----|------|-----|
| WD-6 | 600 | 1430 | 695 | 700 | 1880 | 145 |
| WD-6Autostart | 600 | 1430 | 710 | 700 | 1880 | 145 |
| WD-7 | 660 | 1540 | 755 | 720 | 2080 | 175 |
| WD-7Autostart | 660 | 1540 | 770 | 720 | 2080 | 175 |