

# Dishwasher Metos WD-6 Duplus Autostart

A good work environment, a high level of hygiene and an optimal wash result make the Metos WD-6 Duplus Autostart - dishwasher one of the best hood type dishwashers on the market.

The Duplus -technology enables a double final rinse, which reduces the usage of water. The first final rinse is extremely efficient, and it uses the recirculated rinse water of the previous washing cycle. In the second final rinse the dishes are rinsed with fresh water. Thus, only one litre of fresh water is used per each washing cycle. Even though the usage of water is reduced significantly, an optimal wash result is still guaranteed. The Duplus -model also uses considerably less energy and chemicals compared to the Metos WD-6 - basic model. With the Autostart

-automatic hood lifting and lowering system, both, ergonomics and the work environment can be improved. The washing program begins automatically when the rack is placed into the machine. When the wash cycle is finished, the hood lifts automatically.

In the Metos WD-6 Duplus Autostart -dishwasher the washing cycle begins when the hood is closed. The washing and rinsing times, as well as the rinsing temperature, can be programmed to fit your needs. This enables a separate program for e.g. fine porcelain, which needs a lower rinse temperature. The machine indicates of too low temperatures and too low amounts of rinsing water. If the rinsing temperature decreases past 85°C the machine will continue washing, until the right rinsing temperature is reached. Therefore, the rinsing power is not determined by the water



pressure in the water pipe and thus no additional booster pump is needed. The wash arms empty themselves from washing water before the rinsing starts. In this way, the washing water does not drip on to the clean dishes. The uniquely designed hood prevents the steam from rising on to the face of the user when the hood is opened.

The digital control panel, that the machine is equipped with, shows the chosen wash program, temperature and remaining wash time. In addition, it shows the daily and total amount of washed racks. The machine is extremely easy to use, and it informs the user of e.g. a closed tap or a misplaced overflow tube. Furthermore, the machine is easy to keep clean through its automatic cleaning program. The break function maintains the temperature of the tank when there is a longer period between each wash. When using the break function the dishwasher needs to be closed and you cannot start a washing cycle at the same time.

- water consumption 1,0 l/ wash cycle
- min. cold water pressure for hood lifting 300 kPa
- three washing cycles 1,2, 1,8, and 3,3 min.
- free height of the washing area 405 mm
- self-cleaning program
- diagnostics function
- break function
- self-cleaning washing arms
- wash pump 0,9 kW
- Booster heater 9 kW
- pump (recirculated final rinse) 0,58 kW
- pump (final rinse) 0,58 kW
- electronic control
- noise and heat insulated
- double water connection hot/cold
- tank volume 45 l
- rack size 500x500 mm

#### STANDARD EQUIPMENT:

- rinse aid dispenser
- plate rack
- cup rack
- utensil rack

#### OPTIONAL ACCESSORIES (order separately)

- detergent dispenser for liquid detergent
- HACCP (WEB tool)
- steam hood, which is connected to the machine: steam is released to the ventilation channel instead of the dishwashing room
- machine with a drain pump
- ECO-FLOW steam condenser and heat recovery system
- automatic control of ventilation fan pressure in the water pipe and thus no additional booster pump is needed. The wash arms empty themselves from washing water before the rinsing starts. In this way, the washing water does not drip on to the clean dishes. The uniquely designed hood prevents the steam from rising on to the face of the user when the hood is opened.

The digital control panel, that the machine is equipped with, shows the chosen wash program, temperature and remaining wash time. In addition, it shows the daily and total amount of washed racks. The machine is extremely easy to use, and it informs the user of e.g. a closed tap or a misplaced overflow tube. Furthermore, the machine is easy to keep clean through its automatic cleaning program. The break function maintains the temperature of the tank when there is a longer period between each wash. When using the break function the

dishwashers needs to be closed and you cannot start a washing cycle at the same time.

- water consumption 1,0 l/ wash cycle
- min. cold water pressure for hood lifting 300 kPa
- three washing cycles 1,2, 1,8, and 3,3 min.
- free height of the washing area 405 mm
- self-cleaning program
- diagnostics function
- break function
- self-cleaning washing arms
- wash pump 0,9 kW
- Booster heater 9 kW
- pump (recirculated final rinse) 0,58 kW
- pump (final rinse) 0,58 kW
- electronic control
- noise and heat insulated
- double water connection hot/cold
- tank volume 45 l
- rack size 500x500 mm

#### STANDARD EQUIPMENT:

- rinse aid dispenser
- plate rack
- cup rack
- utensil rack

#### OPTIONAL ACCESSORIES (order separately)

- detergent dispenser for liquid detergent
- HACCP (WEB tool)
- steam hood, which is connected to the machine: steam is released to the ventilation channel instead of the dishwashing room
- machine with a drain pump
- ECO-FLOW steam condenser and heat recovery system
- automatic control of ventilation fan

## Dishwasher Metos WD-6 Duplus Autostart

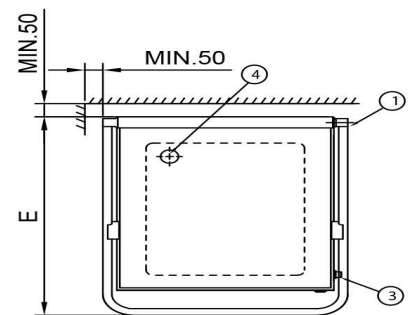
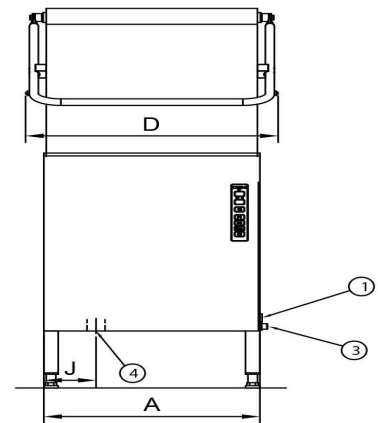
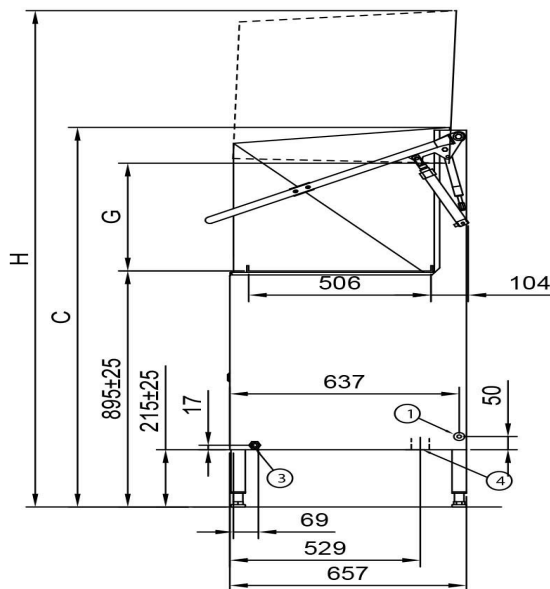
Product capacity	a. 50 racks/hour
Inside measures mm	545x506x405
Item width mm	600/723
Item depth mm	657/700
Item height mm	1430/1880
Package volume	0.847
Unit of volume	m3
Package volume	0.847 m3
Package length	76.5
Package width	71
Package height	156
Package unit of dimension	cm
Package dimensions (LxWxH)	76.5x71x156 cm
Net weight	93
Net weight	93 kg
Gross weight	115
Package weight	115 kg
Unit of weight	kg
Connection power kW	9.9
Fuse Size A	16
Connection voltage V	400
Number of phases	3NPE
Frequency Hz	50
Protection rating (IP)	45
Type of electrical connection	Semifixed
Electrical conn. height mm	550±50
Cold water diam.	1/2"
Cold water flow l/min	5
Cold water min pressure kPa	300

## Dishwasher Metos WD-6 Duplus Autostart

Cold water conn. height mm	232
Hot water diam.	1/2"
Hot water flow l/min	18
Hot water conn. height mm	200
Drain diameter	50
Drain flow l/s	3
Drain conn. height mm	215
Sound level dB	63
Heat load sensitive W	1200
Heat load latent W	500
Boiler power kW	9
Operation type	electronical
Cleaning	washing program
Washing basket size mm	500x500
Programmability	ready programs;programmable
Amount of programs	3
Insulation	insulated
Drain pump	No
Automatic hood lift	Yes
Model	WD-6



## METOS WD-6 DUPLUS, WD-7 DUPLUS



- ③ R 1/2", 20 kPa
- ④ ø50, 3 l/s

Metos	A	C	D	E	G	H	J
WD-6 Duplus	600	1430	695	700	405	1880	145
WD-6 Duplus Autostart	600	1430	710	700	405	1880	145
WD-7 Duplus	660	1540	755	720	505	2080	175
WD-7 Duplus Autostart	660	1540	795	720	505	2080	175