

Pre-wash shower Metos TM3034table-mount.1-hand

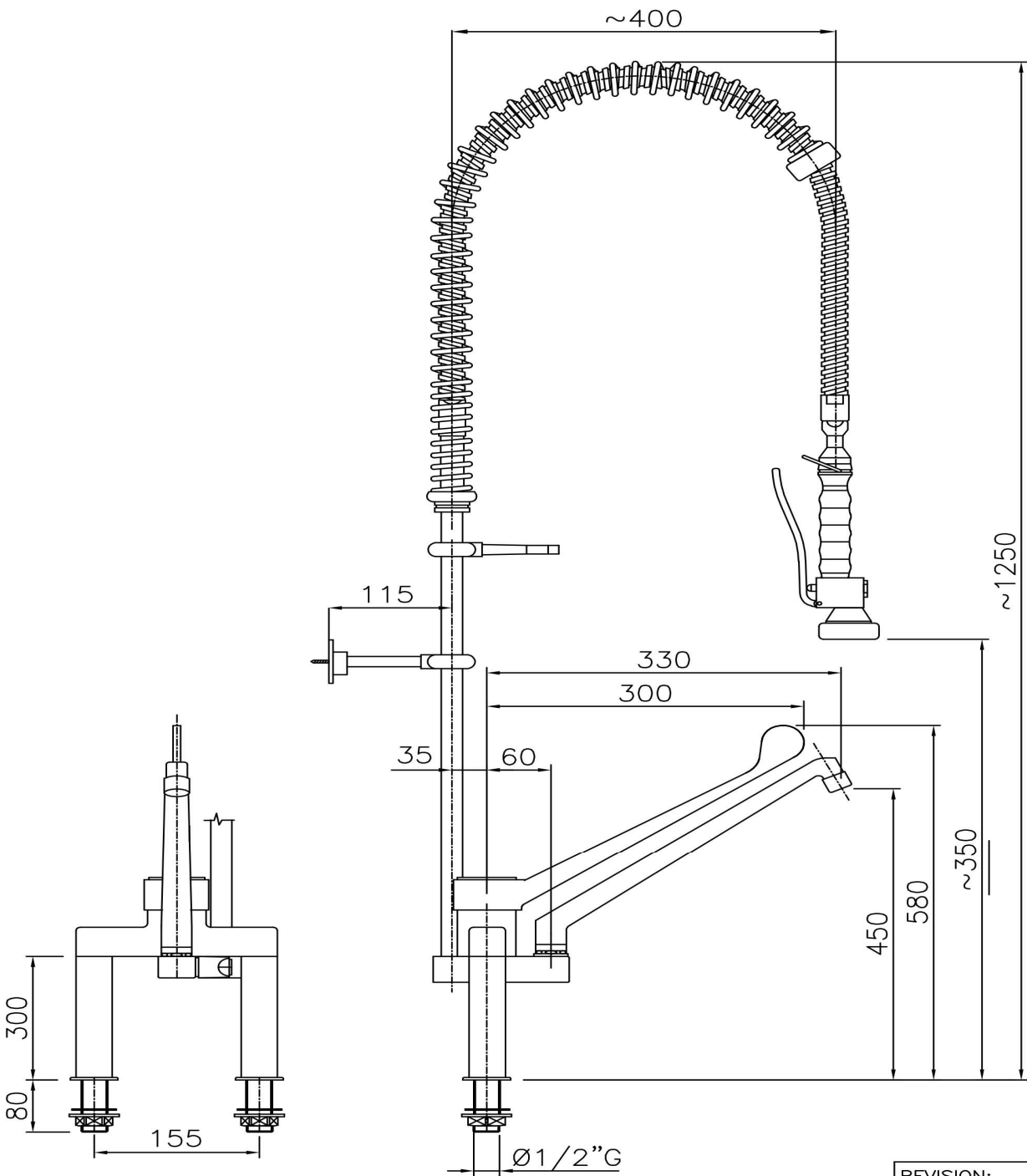
Table attached prewash sprayer. Spray starts automatically when the handle is pushed down

- mixer, equipped with extra long lever
- closing valve
- running pipe
- installation kit



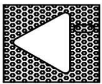
Pre-wash shower Metos TM3034table-mount.1-hand

Package volume	0.024
Unit of volume	m3
Package volume	0.024 m3
Package length	74
Package width	23
Package height	14
Package unit of dimension	cm
Package dimensions (LxWxH)	74x23x14 cm
Net weight	8
Net weight	8 kg
Gross weight	10
Package weight	10 kg
Unit of weight	kg
Cold water diam.	1/2"
Cold water flow l/min	35
Cold water min pressure kPa	300
Hot water diam.	1/2"



Mounting holes recommended diameter = 23 mm.

REVISION:	1.0
LAST REVIEW:	20081219
VALIDITY:	---
DRAWING No.	---
Source Drawing:	2019



KLARCO

SRL

Via Masieres 7
33080 SAN QUIRINO(PN)-ITALY
Tel. +39-0434-919422
Fax +39-0434-919494

DESCRIPTION:
Heavy-duty Bench-mount Pre-Rinse Unit

MOD.
Custom

Product Code
2E.3034.bK.71/C48

Former Product Code: ---

Complete and/or partial reproduction of this document is strictly prohibited without the express written consent of KLARCO s.r.l. - All contents Copyright (c) 2008 KLARCO s.r.l. - All rights reserved