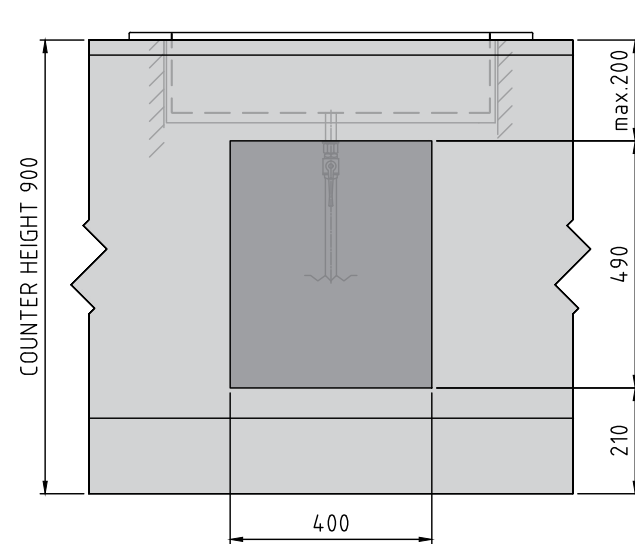
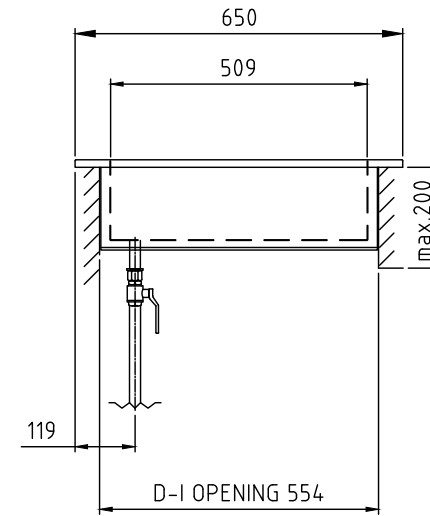
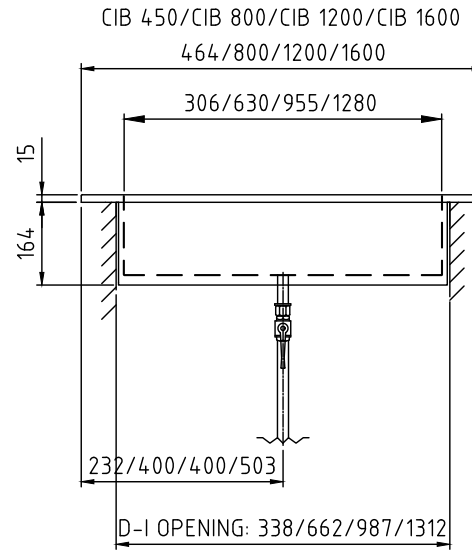


DROP-IN CRUSHED ICE BASIN

CODE	DROP IN OPENINGS		NET WEIGHT
4138650	DI-CIB 450	338mm x 554mm	16 kg
4138660	DI-CIB 800	662mm x 554mm	25kg
4138670	DI-CIB 1200	987mm x 554mm	34 kg
4138678	DI-CIB 1600	1312mm x 554mm	43 kg

The counter, where drop-in units are installed, must be damp-proof and strong enough to bear the appliance weight.



SERVICE DOOR

