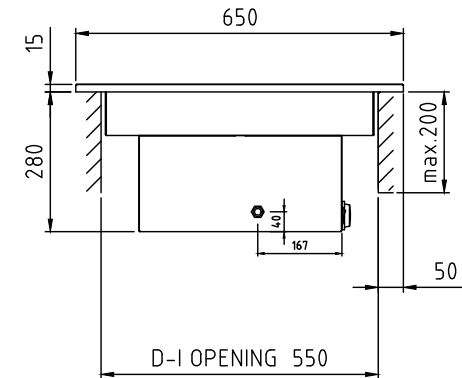
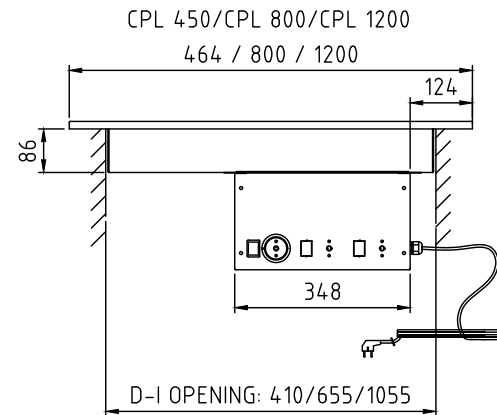


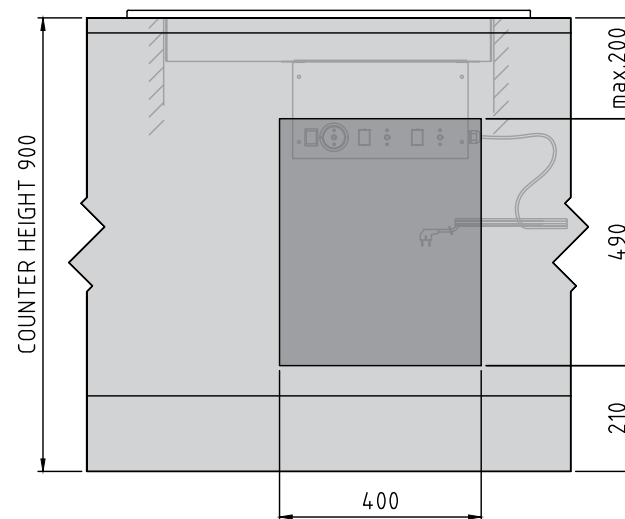
CODE	DROP IN OPENINGS		NET WEIGHT
4138652	DI-CPL 450	410mm x 550mm	14 kg
4138662	DI-CPL 800	655mm x 550mm	28kg
4138672	DI-CPL 1200	1055mm x 550mm	42 kg



The length of the connection cable is 3,2 m.

When constructing the counter, an opening for the connection cable must be considered. The opening must be at least the size of a plug (diameter min. 40 mm). In addition, the edges of the opening must be finished to make sure that the connection cable is not damaged by rubbing against the opening edge.

The counter, where drop-in units are installed, must be damp-proof and strong enough to bear the appliance weight.



SERVICE DOOR

