

metos

DROP-IN FROST PLANE

CODE	DROP IN OPENINGS	NET WEIGHT
4138648	DI-FrP 450 360 x 565 mm	38 kg
4138658	DI-FrP 800 686 x 555 mm	47 kg
4138668	DI-FrP 1200 1086 x 555 mm	56 kg
4138676	DI-FrP 1600 1486 x 555 mm	65 kg

The length of the connection cable is 3,2 m.

When constructing the counter, an opening for the connection cable must be considered. The opening must be at least the size of a plug (diameter min. 40 mm). In addition, the edges of the opening must be finished to make sure that the connection cable is not damaged by rubbing against the opening edge.

Drain: 22/16 mm
Unit is fitted with a 1 m drain hose.

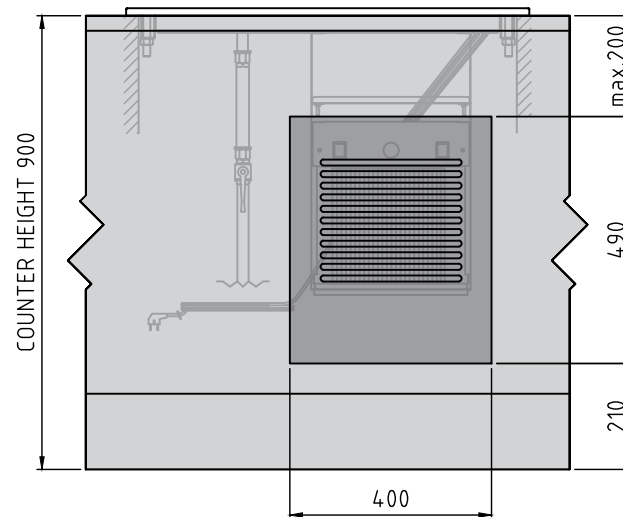
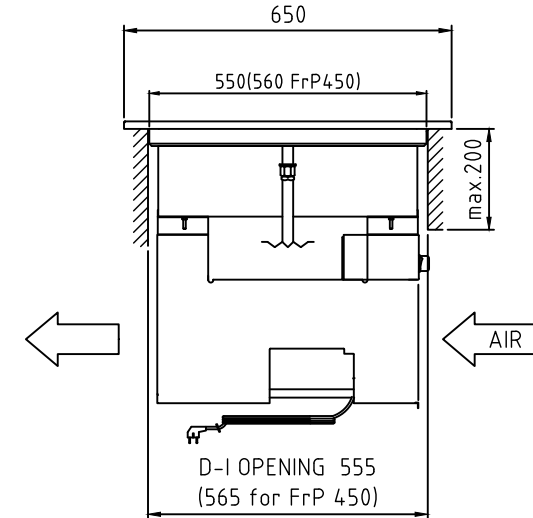
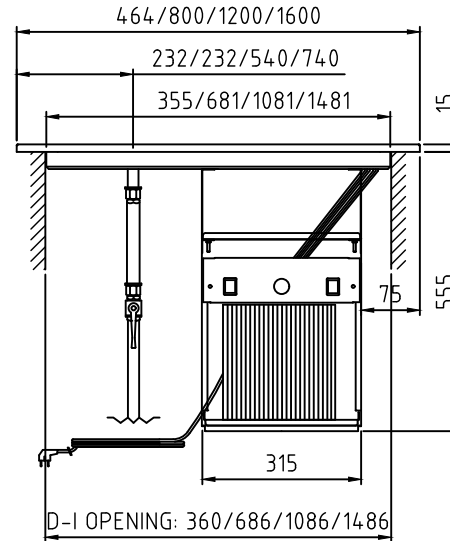
The counter, where drop-in units are installed, must be damp-proof and strong enough to bear the appliance weight.

SERVICE- /VENTILATION DOOR

The grid must be larger in size than the condenser area, i.e. >0,09 m². At least 50% of this area must be perforated.

Flow trough air circulation is recommended by fitting similar grid on the other side of the unit.

FrP 450/FrP 800/FrP 1200/FrP 1600



SERVICE DOOR

