

Water heater Metos WKI 20n6 400V3N~

All model. Olume 20



Water heater Metos WKI 20n6 400V3N~

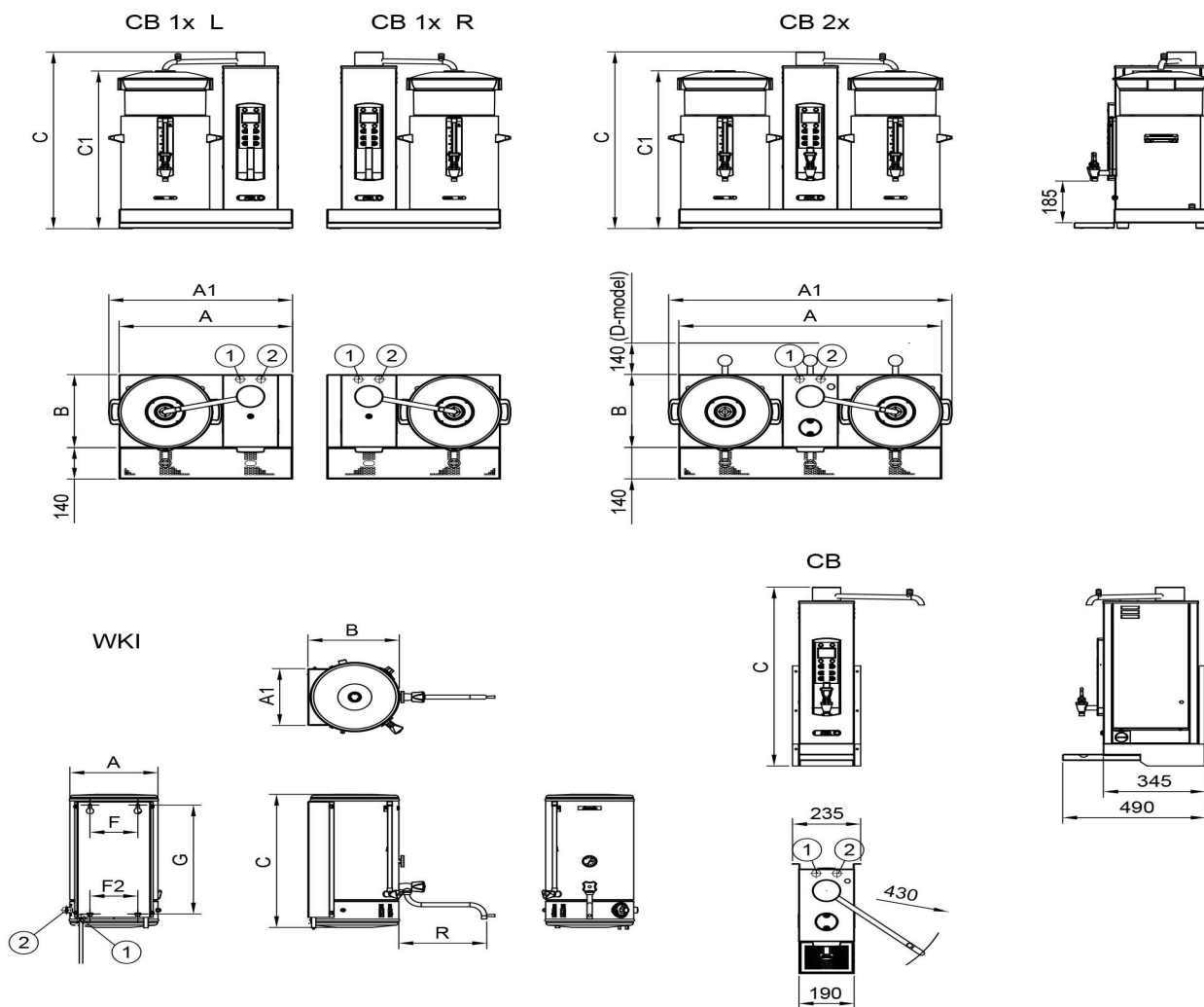
Product capacity	60 litres/hour
Item width mm	D304
Item depth mm	585
Package volume	0.16
Unit of volume	m3
Package volume	0.16 m3
Package length	46
Package width	44
Package height	79
Package unit of dimension	cm
Package dimensions (LxWxH)	46x44x79 cm
Net weight	16
Net weight	16 kg
Gross weight	17
Package weight	17 kg
Unit of weight	kg
Connection power kW	6.6
Fuse Size A	10
Connection voltage V	400
Number of phases	3NPE
Frequency Hz	50
Type of electrical connection	Semifixed
Electrical conn. height mm	25
Remarks (electrical)	P
Cold water diam.	3/4"
Cold water min pressure kPa	200
Cold water conn. height mm	30
Raw material	stainless steel
Cleaning	hand wash

Water heater Metos WKI 20n6 400V3N~

Temperature area °C	0°C - +97°C
Power range kW	6
Portion size	20 l



METOS COMBI-LINE



Metos	A	A1	B	C	C1	R	F	F2	G
CB 1 x 5 L/R /W	530		325	692	611				
CB 1 x 10 L/R /W	599	634	325	784	702				
CB 1 x 20 L/R /W	653	693	360	886	803				
CB 2 x 5 /W /D	770	818	325	692	611				
CB 2 x 10 /W /D	907	977	325	784	702				
CB 2 x 20 /W	1015	1095	360	886	808				
WKI 10	Ø224	188	249	523		255	124	74	432
WKI 20	Ø304	253	312	578		303	165	165	484
WKI 40	Ø382	316	404	685		338	165	165	565
WKI 60	Ø382	316	404	856		338	165	165	740
WKI 80	Ø444	367	456	890		338	250	250	780
CB 5 /W				700					
CB 10 /W				800					
CB 20 /W				800					