

Combi dishwasher Metos WD-8 Autostart with automatic hood li

Optimal washing result, good working environment and excellent hygiene make the Metos WD-8 Autostart combination dishwasher one of the best hood-type dishwashers available in the market. The minimum cold water pressure in the automatic hood lifting system is 300 kPa.

The Autostart is the only dishwasher model available in the market with a fully automatic hood lifting and lowering system. The hood is lowered and the dishwasher starts automatically when a basket is being pushed in. The hood lifts automatically at the end of the washing cycle. The unique structure of the hood prevents steam from rising towards the face of the user when the hood is being opened.

The bottom washing jet's pressure may be adjusted to suit washing of pots and pans which, together with the three washing programmes of the dishwasher, increase flexibility and make the machine suitable for various dishwashing needs. The height (505 mm) and width (695 mm) inside the hood enable washing of plates, glasses and cutlery as well as baking trays, large bowls, GN dishes and even GN1/1 blackboxes.

The washing and rinsing times as well as the rinsing water temperature may be adjusted as necessary which enables creation of an individual washing programme for example for pans. Alarms for a too low water temperature and an insufficient amount of rinsing water. If the rinsing water temperature falls below 85°C, the washing cycle continues until the required rinsing water temperature has been reached. The dishwasher checks the availability of sufficient rinsing water capacity, and an



alarm sounds if there is not enough rinsing water. Washing water is removed from the washing arms prior to rinsing to protect clean dishes from the dripping washing water. The unique structure of the hood prevents steam from rising towards the face of the user when the hood is being opened.

The chosen programme, temperature and the remaining washing time are displayed on the control panel. Additionally, the total daily number as well as the total over-all number of baskets loaded and washed in the machine are displayed on the control panel. The dishwasher informs the user of a closed water tap as well as of a detached overflow pipe. The dishwasher is easy to keep clean with the help of an automatic cleaning programme. The stand-by function enables maintaining the basin temperature during longer pauses between wash cycles. When the stand-by function is on, the hood of the dishwasher is closed and the washing programme cannot be started.

- automatic lifting and lowering of the hood
- three washing cycles: 1,2, 1,7 and 3,2 minutes
- free height of the washing area is 505 mm
- automatic cleaning programme
- diagnostics
- stand-by function
- unclogging washing arms
- pump power output 1.5 kW
- boiler 9 kW
- high pressure pump and intermediate tank
- electronic control
- sound and thermal insulation
- basin volume 50 l
- basket size 500x500 mm

DELIVERY INCLUDES:

- rinse dosage device
- basket for plates
- basket for cups
- cutlery basket

ACCESSORIES (ordered separately)

- liquid washing detergent dosage device
- baking tray track for 8 baking trays (450x600 mm)
- equipped with a bilge pump
- HACCP
- connected to cold water tap (equipped with a 12kW boiler, 25A)
- automatic control for ventilation blower alarm sounds if there is not enough rinsing water. Washing water is removed from the washing arms prior to rinsing to protect clean dishes from the dripping washing water. The unique structure of the hood prevents steam from rising towards the face of the user when the hood is being opened.

The chosen programme, temperature and the remaining washing time are displayed on the control panel. Additionally, the total daily number as well as the total over-all number of baskets loaded and washed in the machine are displayed on the control panel. The dishwasher informs the user of a closed water tap as well as of a detached overflow pipe. The dishwasher is easy to keep clean with the help of an automatic cleaning programme. The stand-by function enables maintaining the basin temperature during longer pauses between wash cycles. When the stand-by function is on, the hood of the dishwasher is closed and the washing programme cannot be started.

- automatic lifting and lowering of the hood

- three washing cycles: 1,2, 1,7 and 3,2 minutes
- free height of the washing area is 505 mm
- automatic cleaning programme
- diagnostics
- stand-by function
- unclogging washing arms
- pump power output 1.5 kW
- boiler 9 kW
- high pressure pump and intermediate tank
- electronic control
- sound and thermal insulation
- basin volume 50 l
- basket size 500x500 mm

DELIVERY INCLUDES:

- rinse dosage device
- basket for plates
- basket for cups
- cutlery basket

ACCESSORIES (ordered separately)

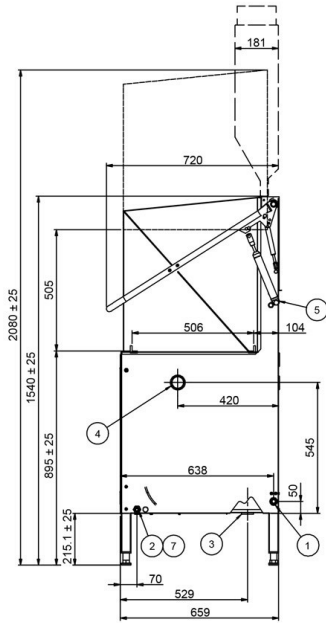
- liquid washing detergent dosage device
- baking tray track for 8 baking trays (450x600 mm)
- equipped with a bilge pump
- HACCP
- connected to cold water tap (equipped with a 12kW boiler, 25A)
- automatic control for ventilation blower

Combi dishwasher Metos WD-8 Autostart with automatic hood li

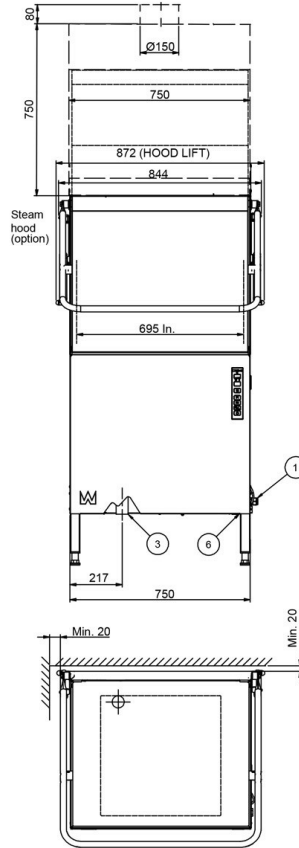
Product capacity	50 racks/hour
Inside measures mm	695x506x505
Item width mm	750/872
Item depth mm	659
Item height mm	1540/2080
Package volume	1.086
Unit of volume	m3
Package volume	1.086 m3
Package length	86
Package width	76.5
Package height	165
Package unit of dimension	cm
Package dimensions (LxWxH)	86x76.5x165 cm
Net weight	130
Net weight	130 kg
Gross weight	155
Package weight	155 kg
Unit of weight	kg
Connection power kW	10.5
Fuse Size A	16
Connection voltage V	400
Number of phases	3NPE
Frequency Hz	50
Protection rating (IP)	45
Electrical conn. diam. mm	2,5
Electrical cable length mm	2000
Hot water diam.	1/2"
Hot water thread	Internal thread
Hot water flow l/min	18

Combi dishwasher Metos WD-8 Autostart with automatic hood li

Hot water min pressure kPa	300
Hot water max pressure kPa	500
Hot water conn. inlet	Right;Behind;Bottom
Hot water conn. height mm	265
Remarks (hot water)	shut off cock on incoming pipe
Drain diameter	50
Drain flow l/s	3
Drain conn. height mm	215
Floor drain needed	Yes
Remarks (drain)	2 m drain hose included
Sound level dB	62
Heat load sensitive W	1700
Heat load latent W	600
Boiler power kW	9
Power type	electric
Operation type	electronical
Cleaning	washing program
Washing basket size mm	500x500
Programmability	ready programs;programmable
Amount of programs	3
Insulation	insulated
Method of washing	normal wash
Drain pump	No
Automatic hood lift	Yes
Model	WD-8



1. Electrical connection
2. Water connection external thread R1/2" Bar
3. Drain Ø50 3l/sec
4. Plugged hole for detergent connection
5. Air bleeding screw lift cylinder
6. Water output detergent dosing
7. Alternative water connection from below



WD-8 with ECO-FLOW
condensing unit and heat exchanger

