

Dishwasher Metos WD-6 DUPLUS 400V3N~

A good work environment, a high level of hygiene and an optimal wash result make the Metos WD-6 Duplus -dishwasher one of the best hood type dishwashers on the market.

The Duplus -technology enables a double final rinse, which reduces the usage of water. The first final rinse is extremely efficient, and it uses the recirculated rinse water of the previous washing cycle. In the second final rinse the dishes are rinsed with fresh water. Thus, only one litre of fresh water is used per each washing cycle. Even though the usage of water is reduced significantly, an optimal wash result is still guaranteed. The Duplus -model also uses considerably less energy and chemicals compared to the Metos WD-6 - basic model.

In the Metos WD-6 Duplus -dishwasher the washing cycle begins when the hood is closed. The washing and rinsing times, as well as the rinsing temperature, can be programmed to fit your needs. This enables a separate program for e.g. fine porcelain, which needs a lower rinse temperature. The machine indicates of too low temperatures and too low amounts of rinsing water. If the rinsing temperature decreases past 85°C the machine will continue washing, until the right rinsing temperature is reached. Therefore, the rinsing power is not determined by the water pressure in the water pipe and thus no additional booster pump is needed. The wash arms empty themselves from washing water before the rinsing starts. In this way, the washing water does not drip on to the clean dishes. The uniquely designed hood prevents the steam from rising on to the face of the



user when the hood is opened.

The digital control panel, that the machine is equipped with, shows the chosen wash program, temperature and remaining wash time. In addition, it shows the daily and total amount of washed racks. The machine is extremely easy to use, and it informs the user of e.g. a closed tap or a misplaced overflow tube. Furthermore, the machine is easy to keep clean through its automatic cleaning program. The break function maintains the temperature of the tank when there is a longer period between each wash. When using the break function the dishwashers needs to be closed and you cannot start a washing cycle at the same time.

- water consumption 1,0 l/ wash cycle
- three washing cycles 1,2, 1,8, and 3,3 min.
- free height of the washing area 405 mm
- self-cleaning program
- diagnostics function
- break function
- self-cleaning washing arms
- wash pump 0,9 kW
- Booster heater 9 kW
- pump (recirculated final rinse) 0,58 kW
- pump (final rinse) 0,58 kW
- electronic control
- noise and heat insulated
- double water connection hot/cold
- tank volume 45 l
- rack size 500x500 mm

STANDARD EQUIPMENT:

- rinse aid dispenser
- plate rack
- cup rack
- utensil rack user when the hood is opened.

The digital control panel, that the machine is equipped with, shows the chosen wash program, temperature and remaining wash time. In addition, it shows the daily and total amount of washed racks. The machine is extremely easy to use, and it informs the user of e.g. a closed tap or a misplaced overflow tube. Furthermore, the machine is easy to keep clean through its automatic cleaning program. The break function maintains the temperature of the tank when there is a longer period between each wash. When using the break function the dishwashers needs to be closed and you cannot start a washing cycle at the same time.

- water consumption 1,0 l/ wash cycle
- three washing cycles 1,2, 1,8, and 3,3 min.
- free height of the washing area 405 mm
- self-cleaning program
- diagnostics function
- break function
- self-cleaning washing arms
- wash pump 0,9 kW
- Booster heater 9 kW
- pump (recirculated final rinse) 0,58 kW
- pump (final rinse) 0,58 kW
- electronic control
- noise and heat insulated
- double water connection hot/cold

- tank volume 45 l
- rack size 500x500 mm

STANDARD EQUIPMENT:

- rinse aid dispenser
- plate rack
- cup rack
- utensil rack

Dishwasher Metos WD-6 DUPLUS 400V3N~

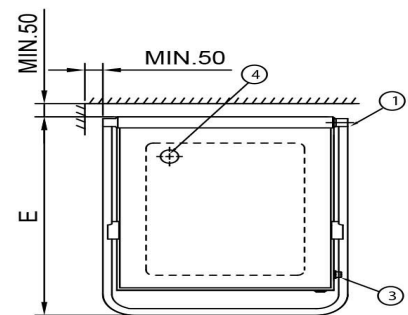
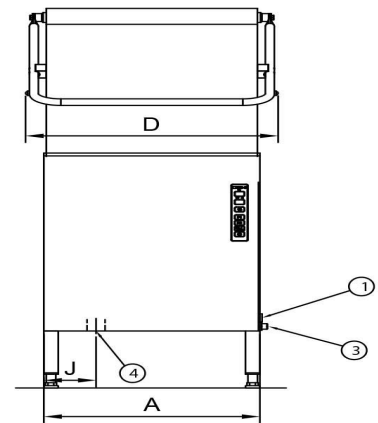
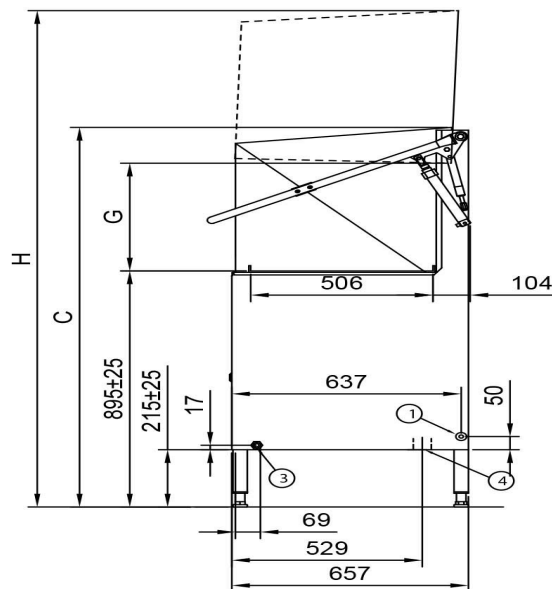
| | |
|-------------------------------|------------------|
| Product capacity | a. 50 racks/hour |
| Inside measures mm | 545x506x405 |
| Item width mm | 600/695 |
| Item depth mm | 657/700 |
| Item height mm | 1430/1875 |
| Package volume | 0.847 |
| Unit of volume | m3 |
| Package volume | 0.847 m3 |
| Package length | 76.5 |
| Package width | 71 |
| Package height | 156 |
| Package unit of dimension | cm |
| Package dimensions (LxWxH) | 76.5x71x156 cm |
| Net weight | 135 |
| Net weight | 135 kg |
| Gross weight | 140 |
| Package weight | 140 kg |
| Unit of weight | kg |
| Connection power kW | 9.9 |
| Fuse Size A | 16 |
| Connection voltage V | 400 |
| Number of phases | 3NPE |
| Frequency Hz | 50 |
| Protection rating (IP) | 45 |
| Type of electrical connection | Semifixed |
| Electrical conn. height mm | 550±50 |
| Hot water diam. | 1/2" |
| Hot water flow l/min | 18 |
| Hot water conn. height mm | 232 |

Dishwasher Metos WD-6 DUPLUS 400V3N~

| | |
|------------------------|-----------------------------|
| Drain diameter | 50 |
| Drain flow l/s | 3 |
| Drain conn. height mm | 215 |
| Sound level dB | 63 |
| Heat load sensitive W | 1200 |
| Heat load latent W | 500 |
| Boiler power kW | 9 |
| Power type | electric |
| Operation type | electrical |
| Cleaning | washing program |
| Washing basket size mm | 500x500 |
| Programmability | ready programs;programmable |
| Amount of programs | 3 |
| Insulation | insulated |
| Method of washing | normal wash |
| Drain pump | No |
| Automatic hood lift | No |
| Model | WD-6 |



METOS WD-6 DUPLUS, WD-7 DUPLUS



- ③ R 1/2", 20 kPa
- ④ ø50, 3 l/s

| Metos | A | C | D | E | G | H | J |
|-----------------------|-----|------|-----|-----|-----|------|-----|
| WD-6 Duplus | 600 | 1430 | 695 | 700 | 405 | 1880 | 145 |
| WD-6 Duplus Autostart | 600 | 1430 | 710 | 700 | 405 | 1880 | 145 |
| WD-7 Duplus | 660 | 1540 | 755 | 720 | 505 | 2080 | 175 |
| WD-7 Duplus Autostart | 660 | 1540 | 795 | 720 | 505 | 2080 | 175 |