

Mixer Metos SP-40HA-F

40 l universal floor mixer. With attachment drive

- 3 speed gear box motor
- manual bowl lift
- removable stainless steel safety guard
- enamelled steel body
- timer
- emergency stop Standard accessories (included in the offered price)
- stainless steel bowl 40 ltr
- aluminium hook
- aluminium whip
- aluminium flat beater Extra accessories (will be charged separately)
- 20 litre bowl with or without tools
- meat mincer
- vegetable cutter



Mixer Metos SP-40HA-F

Product capacity	40 liters
Item width mm	632
Item depth mm	730
Item height mm	1300
Package volume	0.644
Unit of volume	m3
Package volume	0.644 m3
Package length	65
Package width	75
Package height	132
Package unit of dimension	cm
Package dimensions (LxWxH)	65x75x132 cm
Net weight	265
Net weight	265 kg
Gross weight	280
Package weight	280 kg
Unit of weight	kg
Connection power kW	1.2
Fuse Size A	10
Connection voltage V	400
Number of phases	3PE
Frequency Hz	50
Protection rating (IP)	54
Type of electrical connection	Semifixed
Electrical conn. height mm	600
Sound level dB	62
Power range kW	1.117
Bowl transfer	manual
Attachment drive	Yes

Mixer Metos SP-40HA-F

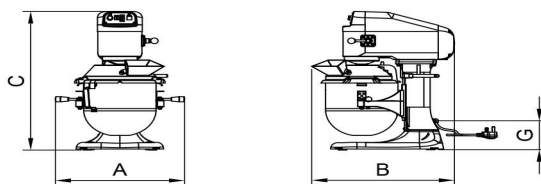
Timer

Yes

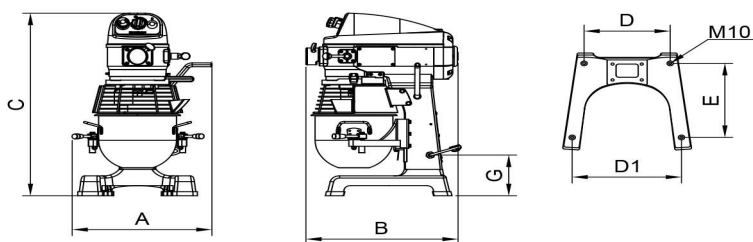


METOS SPAR

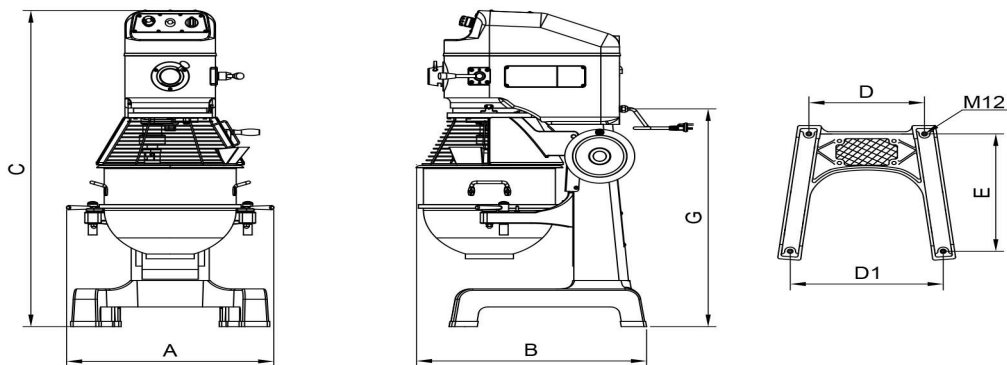
SP502/SP800



SP-100/SP-200



SP-30 - SP80



Metos	A	B	C	D	D1	E	G
SP-502A-B	392	388	434	140	136	250	60
SP-800A-B	414	455	580	192	208	282	121
SP-100A	448	490	765	236	301	346	170
SP-200A	550	515	871	242	341	353	217
SP-30HA	650	667	1172	390	496	560	783
SP-40HA	665	738	1315	410	545	575	907
SP-60HA	775	770	1308	410	545	575	899
SP-A80HI	788	1088	1559	440	665	804	1171
SP-B80HI	788	1088	1559	440	665	804	1171