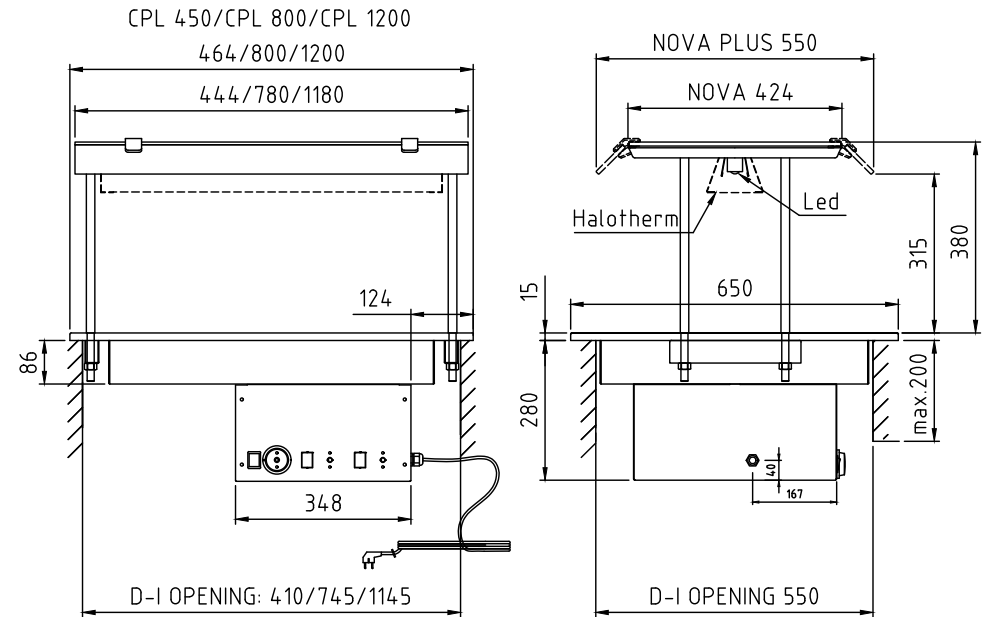


DROP-IN HEATED CERAMIC PLATE

UPPER SHELF						
LED		HALOTHERM				
NOVA CODE	NOVA PLUS CODE	NOVA CODE	NOVA PLUS CODE	DROP IN OPENINGS	NET WEIGHT	
4138771	4322071	4138782	4322082	DI-CPL 450	410mm x 550mm	33 kg
4138773	4322073	4138784	4322084	DI-CPL 800	745mm x 550mm	40 kg
4138775	4322075	4138786	4322086	DI-CPL 1200	1145mm x 550mm	57 kg



The length of the connection cable is 3,2 m.

When constructing the counter, an opening for the connection cable must be considered. The opening must be at least the size of a plug (diameter min. 40 mm). In addition, the edges of the opening must be finished to make sure that the connection cable is not damaged by rubbing against the opening edge.

The counter, where drop-in units are installed, must be damp-proof and strong enough to bear the appliance weight.

