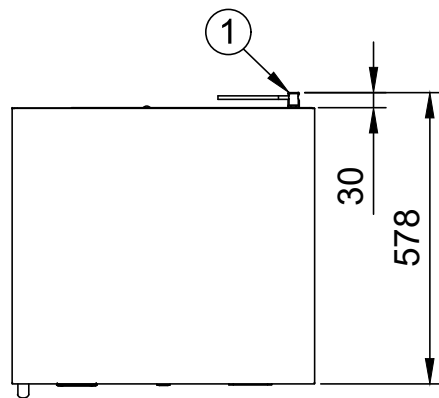



It is recommended to leave at least 10mm space around the refrigerator for air circulation.



① Electrical connection: plug

| Code | Electric supply | P/kW | Fuse/A |
|---------|----------------------|-------|--------|
| 4132407 | 1NPE AC 230V 50/60Hz | 0,095 | 6 |

| | | | |
|--|---------|---|-----------------|
| Vers. | Muutos: | Pvm. | Suun. |
| <p>Tämä piirustus on Metos Oy Ab:n omaisuutta, kopiointi tai osittainenkin jäljentäminen ilman Metos Oy Ab:n lupaa on ehdottomasti kielletty. This document may not be copied in part or in whole by any process nor passed on to a third party without the written permission of the owner Metos Oy Ab.</p> | | | |
| Suun. www.metos.com | | Kaupalliset asiat: | Työmaa-asiat: |
| Suhde: 1: 15 A4 | Proj.no | Tarj./lausunto. | Pvm. 16.08.2021 |
|  | | Nimitys Glass door cooler Maxiglass MG3/150RGCS right-handed | |
| | | Piiir.no | |
| Metos Oy Ab FI-04220 KERAVA Tel: 0204 39 13 Fax: 0204 39 4432 | | Lehti | |