

www.hatcocorp.com

Register Online!
(see page 2)



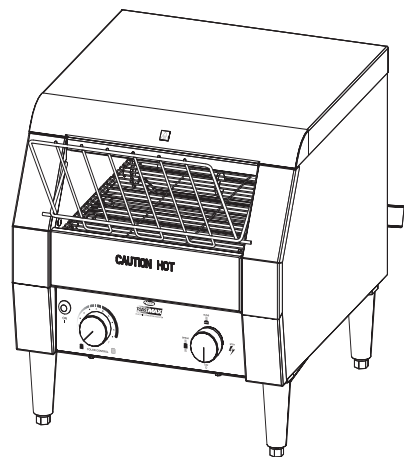
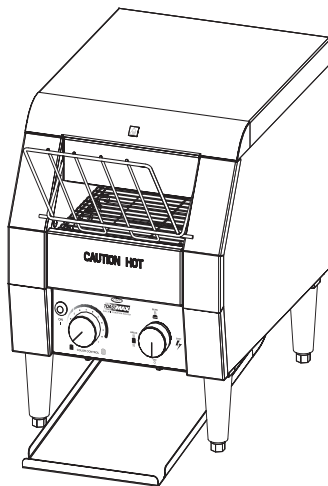
Toast-Max®

Electric Conveyor Toasters

TM-5, TM-5H, TM-10, and TM-10H Series

Installation and Operating Manual For € and Non € Models

P/N 07.04.372.00



Elektrische Durchlauf toaster
Serie TM-5, TM-5H, TM-10, und TM-10H
Installations- und Bedienungshandbuch
P 13

Registrieren Sie sich online!

Tostadoras de Cinta Transportadora Eléctrica
Serie TM-5, TM-5H, TM-10, y TM-10H
Manual de Instalación y Operación
P 24

Regístrese en línea!

Grille-Pain Electrique À Convoyeur
Série TM-5, TM-5H, TM-10, et TM-10H
Manuel d'installation et d'utilisation
P 35

S'inscrire en ligne!

Tostapane Elettrici in Continuo
Serie TM-5, TM-5H, TM-10, e TM-10H Manuale per
l'installazione e l'uso
P 46

Registratevi online!

Elektrische Toasters Met Transportband
Serie TM-5, TM-5H, TM-10, en TM-10H
Handleiding voor Installatie en Bediening
P 57

Registreeer online!

Register your unit online!

See IMPORTANT OWNER INFORMATION
section for details.

CONTENTS



Important Owner Information	2	Installation	6
Introduction	2	General	6
Important Safety Information	3	Front or Rear Discharge Installation	6
Model Description	4	Operation	7
All Models	4	General	7
TM-5 and TM-5H Models	4	Maintenance	8
TM-10 and TM-10H Models	4	General	8
Model Designation	4	Daily Cleaning	8
Specifications	5	Troubleshooting Guide	9
Plug Configurations	5	International Limited Warranty	10
Electrical Rating Chart	5	Service Information	10
Dimensions	5		

IMPORTANT OWNER INFORMATION

Record the model number, serial number, voltage, and purchase date of the unit in the spaces below (specification label located on the side of the unit). Please have this information available when calling Hatco for service assistance.

Model No. _____

Serial No. _____

Voltage _____

Date of Purchase _____

Business Hours: 8:00 AM to 5:00 PM
Central Standard Time (C.S.T.)
(Summer Hours: June to September—
8:00 AM to 5:00 PM C.S.T.
Monday through Thursday
8:00 AM to 2:30 PM C.S.T. Friday)

Telephone: (414) 671-6350

E-mail: partsandservice@hatcocorp.com

Fax: (414) 671-3976 (Parts and Service)

Additional information can be found by visiting our web site at www.hatcocorp.com.

Register your unit!

Completing online warranty registration will prevent delay in obtaining warranty coverage. Access the Hatco website at www.hatcocorp.com, select the *Parts & Service* pull-down menu, and click on "Warranty Registration".

INTRODUCTION

The Hatco Toast-Max™ Electric Conveyor Toaster is specially designed to accelerate the toasting operation. Products pass through a heating chamber for rapid and thorough toasting. Moisture and sugar content and thickness of bread product effect the ability to achieve the perfect toasted product. Utilizing conveyor speed, not temperature, to determine toasting color, allows for instant adjustment of toasting time.

Hatco toasters are built with quality to meet the demands of foodservice operations and provide years of trouble-free performance. The serpentine metal-sheathed tubular heating elements are guaranteed against breakage and burnout for two years.

The Hatco Toast-Max™ Electric Conveyor Toaster is a product of extensive research and field testing. The materials used were selected for maximum durability, attractive appearance, and optimum performance. Every unit is inspected and tested thoroughly prior to shipment.

This manual provides the installation, safety, and operating instructions for the Hatco Toast-Max™ Electric Conveyor Toaster. Hatco recommends all installation, operating, and safety instructions appearing in this manual be read prior to installation or operation of the unit.

Safety information that appears in this manual is identified by the following signal word panels:



WARNING indicates a hazardous situation which, if not avoided, could result in death or serious injury.



CAUTION indicates a hazardous situation which, if not avoided, could result in minor or moderate injury.



NOTICE is used to address practices not related to personal injury.



Read the following important safety information before using this equipment to avoid serious injury or death and to avoid damage to equipment or property.

WARNING**ELECTRIC SHOCK HAZARD:**

- Plug unit into a properly grounded electrical receptacle of the correct voltage, size, and plug configuration. If plug and receptacle do not match, contact a qualified electrician to determine and install proper voltage and size electrical receptacle.
- Turn OFF power switch, unplug power cord, and allow unit to cool before performing any cleaning, adjustments, maintenance, or attempting to clear a jam.
- DO NOT submerge or saturate with water. Unit is not waterproof. Do not operate if unit has been submerged or saturated with water.
- Unit is not weatherproof. Locate unit indoors where ambient air temperature is a minimum of 21°C (70°F).
- Do not steam clean or use excessive water on unit.
- This unit is not “jet-proof” construction. Do not use jet-clean spray to clean this unit.
- Do not pull unit by power cord.
- Discontinue use if power cord is frayed or worn.
- Do not attempt to repair or replace a damaged power cord. Cord must be replaced by Hatco, an Authorized Hatco Service Agent, or a person with similar qualifications.
- This unit must be serviced by qualified personnel only. Service by unqualified personnel may lead to electric shock or burn.
- Do not clean unit when it is energized or hot.
- Do not allow liquids to spill into unit.
- Use only Genuine Hatco Replacement Parts when service is required. Failure to use Genuine Hatco Replacement Parts will void all warranties and may subject operators of the equipment to hazardous electrical voltage, resulting in electrical shock or burn. Genuine Hatco Replacement Parts are specified to operate safely in the environments in which they are used. Some aftermarket or generic replacement parts do not have the characteristics that will allow them to operate safely in Hatco equipment.

FIRE HAZARD:

- Locate unit a minimum of 25 mm (1”) from combustible walls and materials. If safe distances are not maintained, combustion or discoloration could occur.
- Do not place anything on top of toaster. Do not place toaster near or underneath curtains or other combustible materials. Items near or on top of toaster could catch fire causing injury and/or damage to the toaster.

WARNING

EXPLOSION HAZARD: Do not store or use gasoline or other flammable vapors or liquids in the vicinity of this or any other appliance.

In case of fire, disconnect toaster from power source immediately. This allows the unit to cool, making it easier and safer to put out the fire.

Do not operate this unit with an external timer or remote control system.

Make sure all operators have been instructed on the safe and proper use of the unit.

This unit is not intended for use by children or persons with reduced physical, sensory, or mental capabilities. Ensure proper supervision of children and keep them away from the unit.

This unit has no “user-serviceable” parts. If service is required on this unit, contact an Authorized Hatco Service Agent or contact the Hatco Service Department at 414-671-6350; fax 414-671-3976.

CAUTION**BURN HAZARD:**

- Some exterior surfaces on unit will get hot. Use caution when touching these areas.
- Do not remove crumb tray for cleaning until toaster is cool.

Locate unit at proper counter height in an area that is convenient for use. The location should be level to prevent unit or its contents from falling accidentally and strong enough to support the weight of unit and contents.

Always operate toaster with crumb tray installed.

Toasting of coated or buttered products such as garlic bread, cheese sandwiches, and sweet rolls is NOT recommended. Residue will reduce toaster performance and could ignite inside toaster. Using toaster with food products listed above will void unit warranty.

NOTICE

Use non-abrasive cleaners and cloths only. Abrasive cleaners and cloths could scratch finish of unit, marring its appearance and making it susceptible to soil accumulation.

Submerging or saturating unit with water will damage the unit and void unit warranty.

Do not lay unit on the side with the control panel. Damage to the unit could occur.

This unit is intended for commercial use only — NOT for household use.

MODEL DESCRIPTION



All Models

All Toast-Max™ Electric Conveyor Toasters are fast, reliable, and versatile, toasting up to 300 bread or bun product per hour. The front or rear discharge allows the operator to place the Toast-Max toaster where it is most convenient. Toast-Max toasters feature long lasting serpentine metal sheathed heating elements, a permanently lubricated conveyor motor, and a four position toast selector switch. Every unit is shipped with 102 mm (4") adjustable legs, a feed ramp, a removable crumb tray, and a front discharge chute.

TM-5 Model

The TM-5 model allows for toasting of bread products up to 38 mm (1-1/2") thick and 187 mm (7-3/8") wide. Capacity is up to 180 slices per hour.

TM-5H Model

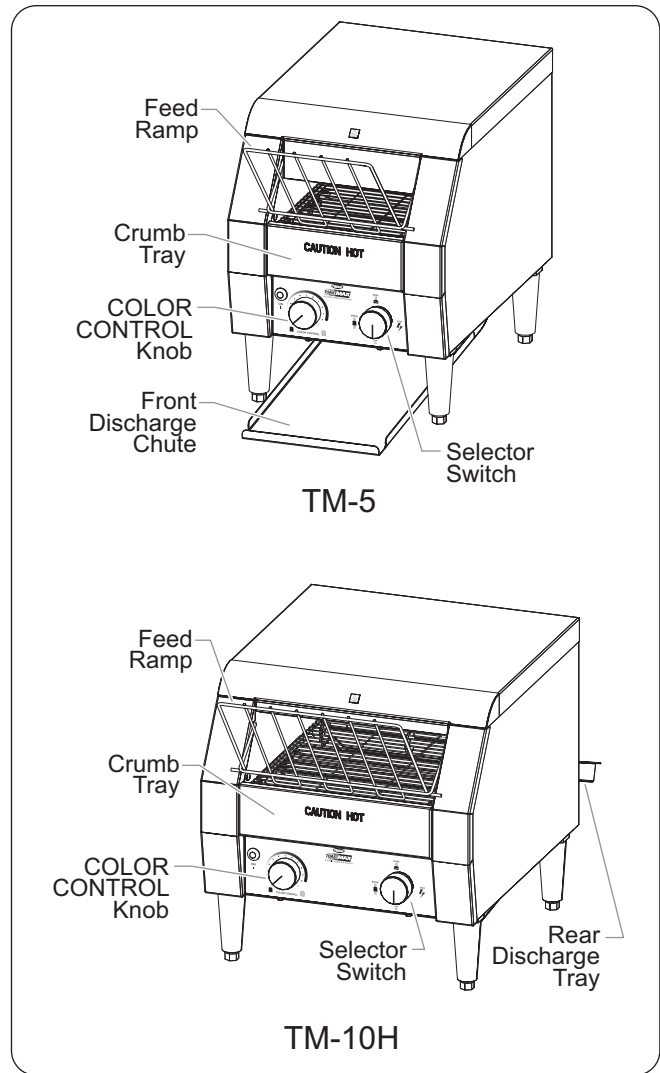
The TM-5H model allows for toasting of bread products up to 64 mm (2-1/2") thick and 187 mm (7-3/8") wide. Capacity is up to 180 slices per hour.

TM-10 model

The TM-10 model allows for toasting of bread products up to 38 mm (1-1/2") thick and 245 mm (9-5/8") wide. Capacity is up to 300 slices per hour.

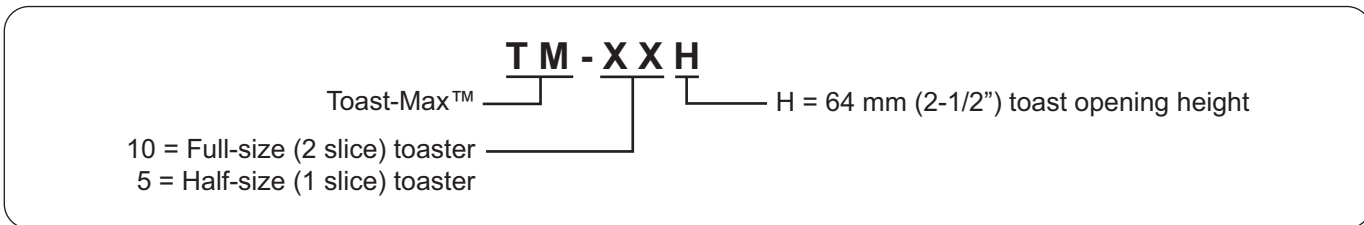
TM-10H model

The TM-10H model allows for toasting of bread products up to 64 mm (2-1/2") thick and 245 mm (9-5/8") wide. Capacity is up to 300 slices per hour.



TM-5 and TM-10H Models

MODEL DESIGNATION



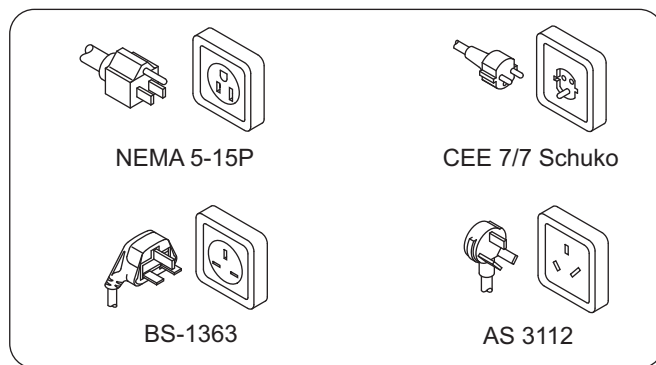
Plug Configurations

Units are supplied from the factory with an electrical cord and plug. Plugs are supplied according to the application.



ELECTRIC SHOCK HAZARD: Plug unit into a properly grounded electrical receptacle of the correct voltage, size, and plug configuration. If plug and receptacle do not match, contact a qualified electrician to determine and install proper voltage and size electrical receptacle.

NOTE: The specification label is located on the side of the unit. See label for serial number and verification of unit electrical information.



Plug Configurations

NOTE: Receptacle not supplied by Hatco.

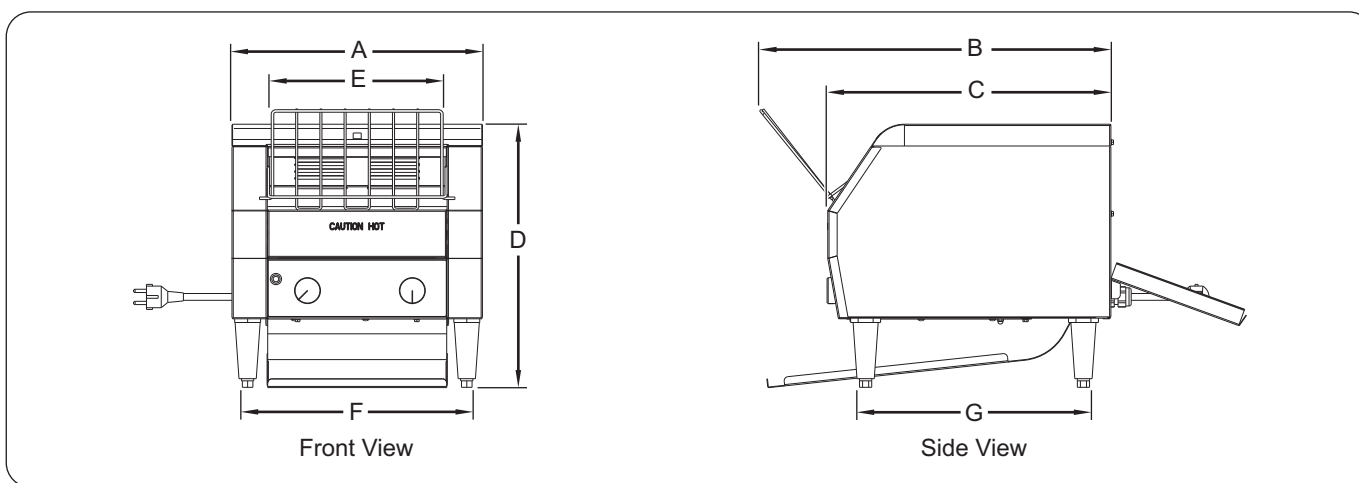
Electrical Rating Chart

Model	Voltage	Hertz	Watts	Amps	Plug Configuration	Shipping Weight
TM-5	220–240 (CE)	50/60	1340–1595	6.1–6.6	CEE 7/7 Schuko, BS-1363, or AS 3112	16 kg (36 lbs.)
TM-5H	100	50/60	1340	13.4	NEMA 5-15	16 kg (36 lbs.)
	120	50/60	1340	11.2	NEMA 5-15	16 kg (36 lbs.)
	220–240 (CE)	50/60	1340–1595	6.1–6.6	CEE 7/7 Schuko, BS-1363, or AS 3112	16 kg (36 lbs.)
TM-10	220–240 (CE)	50/60	1940–2300	8.8–9.6	CEE 7/7 Schuko, BS-1363, or AS 3112	19 kg (41 lbs.)
TM-10H	120	50/60	1790	14.9	NEMA 5-15	19 kg (41 lbs.)
	220–240 (CE)	50/60	1940–2300	8.8–9.6	CEE 7/7 Schuko, BS-1363, or AS 3112	19 kg (41 lbs.)

Dimensions

Model	Width (A)	Overall Depth (B)*	Unit Depth (C)	Height (D)	Chamber Width (E)	Footprint Width (F)	Footprint Depth (G)
TM-5 and TM-5H	290 mm (11-7/16")	523 mm (20-5/8")	419 mm (16-1/2")	387 mm (15-1/4")	186 mm (7-3/8")	260 mm (10-1/4")	336 mm (13-1/4")
TM-10 and TM-10H	368 mm (14-1/2")	520 mm (20-1/2")	419 mm (16-1/2")	387 mm (15-1/4")	264 mm (10-3/8")	338 mm (13-3/8")	336 mm (13-1/4")

* Add 195 mm (7-3/4") to Overall Depth (B) for units equipped with a rear discharge tray.



Dimensions

INSTALLATION

GB

General

The Toast-Max™ Electric Conveyor Toaster is shipped with all components pre-assembled. Care should be taken when unpacking the shipping carton to avoid damage to the unit and the components enclosed.

WARNING

ELECTRIC SHOCK HAZARD: Unit is not weatherproof. Locate unit indoors where ambient air temperature is a minimum of 21°C (70°F).

EXPLOSION HAZARD: Do not store or use gasoline or other flammable vapors or liquids in the vicinity of this or any other appliance.

FIRE HAZARD:

- Locate unit a minimum of 25 mm (1") from combustible walls and materials. If safe distances are not maintained, combustion or discoloration could occur.
- Do not place anything on top of toaster. Do not place toaster near or underneath curtains or other combustible materials. Items near or on top of toaster could catch fire causing injury and/or damage to the toaster.

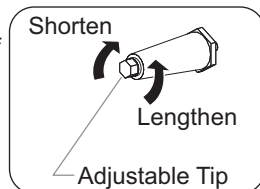
1. Remove the unit from the carton.

NOTE: To prevent delay in obtaining warranty coverage, complete online warranty registration. See the IMPORTANT OWNER INFORMATION section for details.

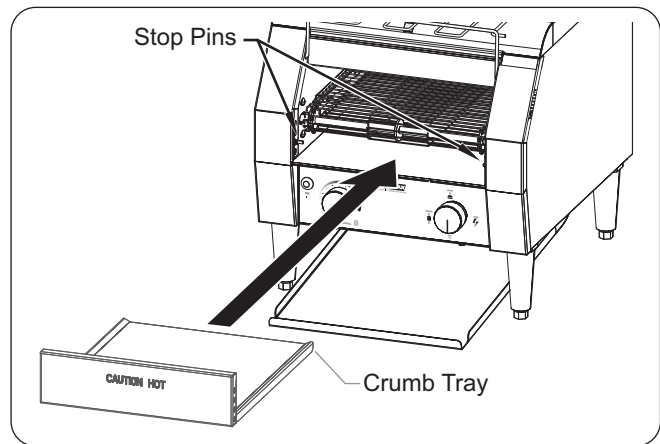
2. Remove tape and protective packaging from all surfaces of the unit.
3. Place the unit in the desired location.

- Locate the unit in an area where the ambient air temperature is constant and a minimum of 21°C (70°F). Avoid areas that may be subject to active air movements or currents (i.e., near exhaust fans/hoods and air conditioning ducts).
- Make sure the unit is at the proper counter height in an area convenient for use.
- Make sure the countertop is level and strong enough to support the weight of the unit and food product.
- Make sure all the feet on the bottom of the unit are positioned securely on the countertop.

4. Level the unit by turning the adjustable tip on each leg, if necessary. Use a 16 mm (5/8") open-end wrench to make leveling adjustments.



5. Install the crumb tray.
 - a. Position the crumb tray directly below the stop pins under the conveyor belt at the front of the toaster.
 - b. Slide the crumb tray into the toaster until the front of the crumb tray meets the stop pins.
6. Install the front discharge chute or rear discharge tray to the rear of the unit. Refer to the "Front or Rear Discharge Installation" procedure in this section.



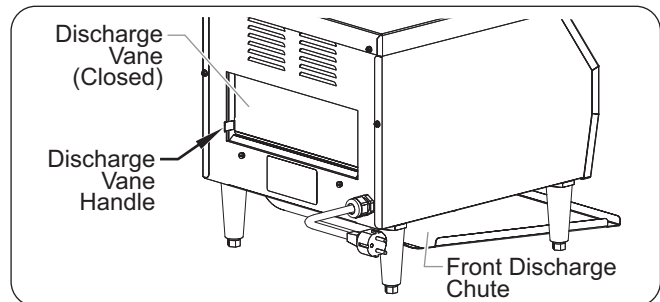
Installing the Crumb Tray

Front or Rear Discharge Installation

Toast-Max units can be set up so toasted product discharges at either the front or the rear of the unit.

For front discharge:

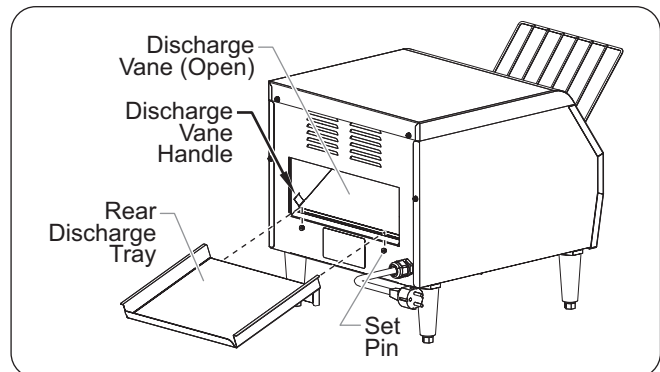
1. Slide the front discharge chute underneath the toaster.
2. Angle the curved end of the chute up slightly to place the lip of the chute over the rear pins (one on each side).
3. Pull shut the discharge vane so it is in the closed position.



Front Discharge (Rear View)

For rear discharge:

1. Remove the front discharge chute if it is installed.
2. Align the notches on the rear discharge tray over the two set pins and lower into place.
3. Push open the discharge vane so it rests on the pins inside of the unit.



Rear Discharge (Rear View)

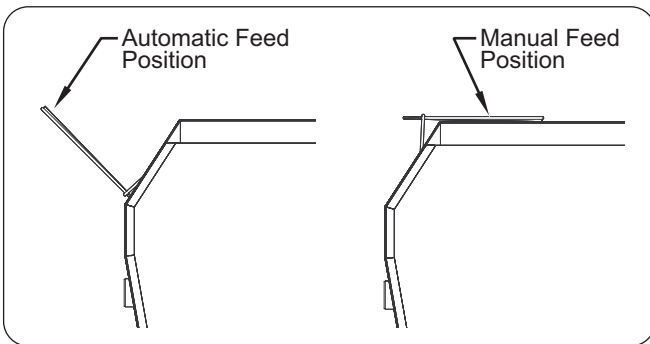
General

The Electric Conveyor Toaster is designed for ease of operation. Perform the following procedure to operate the toaster.

WARNING

Read all safety messages in the **IMPORTANT SAFETY INFORMATION** section before operating this equipment.

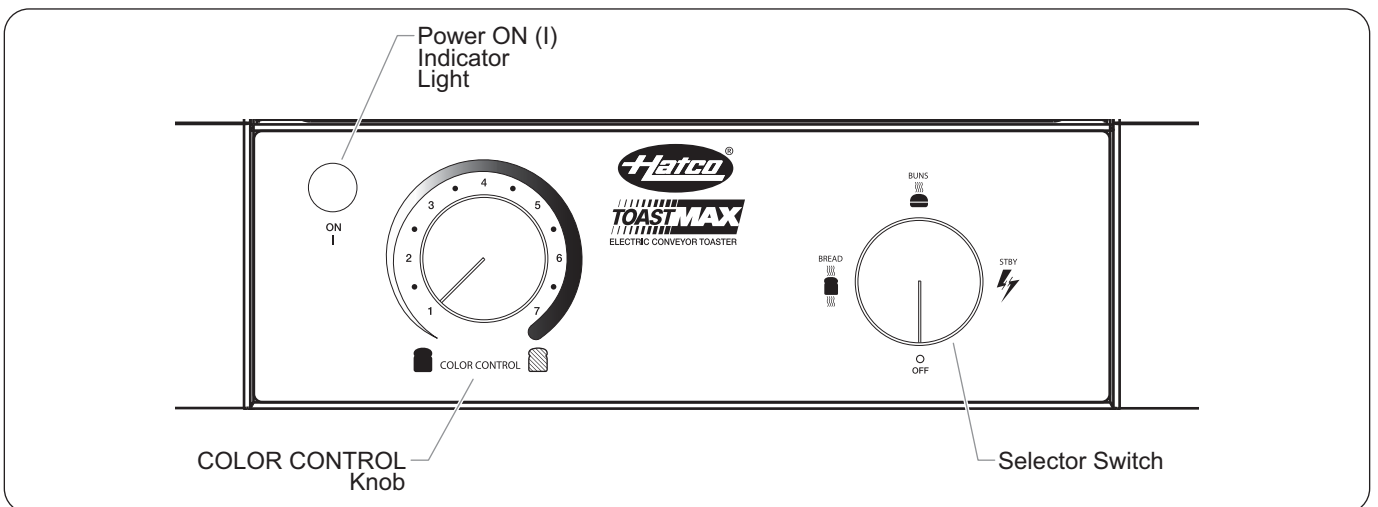
1. Plug the unit into a properly grounded electrical receptacle of the correct voltage, size, and plug configuration. See the SPECIFICATIONS section for details.
2. Move the feed ramp to the desired position.
 - For automatic feeding, move the feed ramp to the automatic feed position. Bread products enter the toaster by placing them on the feed ramp and releasing.
 - For manual feeding, rotate the feed ramp up until it rests on top of the unit. Bread products can be loaded manually by placing directly on the conveyor belt.



Toast Feed Ramp

3. Move the selector switch to the desired toasting setting.
 - To toast both sides of the bread, place the selector switch in the BREAD position.
 - To toast the top of the bread only, place the selector switch in the BUN position.

NOTE: The Power ON (I) Indicator Light will glow after a toasting selection is made.



Control Panel

4. Turn the COLOR CONTROL knob to the lightest position while the unit heats up.

NOTE: Allow approximately 15 to 20 minutes for a warm-up period.

CAUTION

BURN HAZARD: Some exterior surfaces on unit will get hot. Use caution when touching these areas.

5. After warm-up period, set the COLOR CONTROL knob to the medium position and toast two slices of bread product then re-adjust the COLOR CONTROL knob to the desired setting.

NOTE: To toast moist products such as English muffins, rye bread, or whole wheat, slow the conveyor by turning the COLOR CONTROL knob to a darker setting (clockwise).

All TM series toasters can be put into a Power Save mode by placing the selector switch in the STBY (standby) position. The toaster is operating at 25% power in the Power Save mode.

NOTE: To place toaster back into full operation, turn the selector switch to the BREAD or BUN position. Unit is back up and ready for toasting within 5 minutes.

CAUTION

Always operate toaster with crumb tray installed.

Toasting of coated or buttered products such as garlic bread, cheese sandwiches, and sweet rolls is **NOT** recommended. Residue will reduce toaster performance and could ignite inside toaster. Using toaster with the food products listed above will void unit warranty.

General

The Toast-Max™ Electric Conveyor Toaster is designed for maximum durability and performance with minimum maintenance.

WARNING

ELECTRIC SHOCK HAZARD:

- Turn OFF power switch, unplug power cord, and allow unit to cool before performing any cleaning, adjustments, maintenance, or attempting to clear a jam.
- **DO NOT** submerge or saturate with water. Unit is not waterproof. Do not operate if unit has been submerged or saturated with water.
- Do not steam clean or use excessive water on unit.
- This unit is not “jet-proof” construction. Do not use jet-clean spray to clean this unit.
- Do not clean unit when it is energized or hot.
- Do not allow liquids to spill into unit.
- Use only Genuine Hatco Replacement Parts when service is required. Failure to use Genuine Hatco Replacement Parts will void all warranties and may subject operators of the equipment to hazardous electrical voltage, resulting in electrical shock or burn. Genuine Hatco Replacement Parts are specified to operate safely in the environments in which they are used. Some aftermarket or generic replacement parts do not have the characteristics that will allow them to operate safely in Hatco equipment.

This unit has no “user-serviceable” parts. If service is required on this unit, contact an Authorized Hatco Service Agent or contact the Hatco Service Department at 414-671-6350; International fax 414-671-3976.

Daily Cleaning

To preserve the bright finish of the unit it is recommended that the exterior surfaces be cleaned daily with a damp cloth.

NOTICE

Use non-abrasive cleaners and cloths only. Abrasive cleaners and cloths could scratch finish of unit, marring its appearance and making it susceptible to soil accumulation.

Submerging or saturating unit with water will damage the unit and void unit warranty.

1. Remove and empty the crumb tray.

CAUTION

Do not remove the crumb tray for cleaning until toaster is cool.

2. Wash the crumb tray with warm water and a mild detergent. Rinse with water.
 - Allow the crumb tray to air dry before placing back into the toaster.
3. Remove and wash the front discharge chute or rear discharge tray with a mild detergent. Rinse with water.
 - Allow the front discharge chute or rear discharge tray to air dry before reinstalling.
4. Wipe the exterior surface of the toaster with a damp cloth.
NOTICE: Use non-abrasive cleaners only.
5. Remove and clean the toast feed ramp.
 - a. Press in the two wire spokes and lift up to remove the toast feed ramp.
 - b. Wipe clean with a soft damp cloth or soak the ramp in a mild solution of 1 cup (227 ml) ammonia and 1 gallon (3.785 L) of water.
 - c. Align the wire spokes with the holes in the toaster to re-install the ramp.

NOTE: The conveyor gear motor and conveyor system are permanently lubricated and require no lubrication.

⚠ WARNING

This unit must be serviced by qualified personnel only. Service by unqualified personnel may lead to electric shock or burn.

⚠ WARNING

ELECTRIC SHOCK HAZARD: Turn OFF power switch, unplug power cord, and allow unit to cool before performing any cleaning, adjustments, maintenance, or attempting to clear a jam.

Symptom	Probable Cause	Corrective Action
Toast too light.	COLOR CONTROL knob set on a light setting.	Turn COLOR CONTROL knob to a darker setting.
	Unit not warmed up. The toaster needs time to heat up when initially turned on.	Allow approximately 15 to 20 minutes for the unit to warm up.
	Supply voltage to unit is low.	Verify the supply voltage to the toaster matches the unit specifications.
Toast too dark.	COLOR CONTROL knob set on a dark setting.	Turn COLOR CONTROL knob to a lighter setting.
	Supply voltage to unit is high.	Verify the supply voltage to the toaster matches the unit specifications.
Unit toasts on one side only.	Selector switch is in the BUN position (one-sided toasting).	Place the selector switch in the BREAD position (two-sided toasting).
	Heating element defective.	If the element does not glow, contact Authorized Service Agent or Hatco for assistance.
Toaster trips the circuit breaker or GFCI.	Circuit breaker is not sized properly for the toaster.	Check circuit breaker for proper sizing.
	Wiring fault inside toaster.	Contact Authorized Service Agent or Hatco for assistance.

INTERNATIONAL LIMITED WARRANTY



1. PRODUCT WARRANTY

Hatco warrants the products that it manufactures (the "Products") to be free from defects in materials and workmanship, under normal use and service, for a period of one (1) year from the date of purchase when installed and maintained in accordance with Hatco's written instructions or 18 months from the date of shipment from Hatco. Buyer must establish the Product's purchase date by registering the Product with Hatco or by other means satisfactory to Hatco in its sole discretion.

Hatco warrants the following Product components to be free from defects in materials and workmanship from the date of purchase (subject to the foregoing conditions) for the period(s) of time and on the conditions listed below:

a) Two (2) Year Parts Warranty:

Conveyor Toaster Elements (metal sheathed)
Drawer Warmer Elements (metal sheathed)
Drawer Warmer Drawer Rollers and Slides
Strip Heater Elements (metal sheathed)
Display Warmer Elements (metal sheathed air heating)
Holding Cabinet Elements (metal sheathed air heating)
Heated Well Elements — HWB Series (metal sheathed)

b) One (1) Year Parts PLUS Four (4) Years Parts Warranty on pro-rated terms that Hatco will explain at Buyer's request:

3CS and FR Tanks

c) Ten (10) Year Parts Warranty:

Electric Booster Heater Tanks
Gas Booster Heater Tanks

d) Ninety (90) Day Parts Warranty:

Replacement Parts

THE FOREGOING WARRANTIES ARE EXCLUSIVE AND IN LIEU OF ANY OTHER WARRANTY, EXPRESSED OR IMPLIED, INCLUDING BUT NOT LIMITED TO ANY IMPLIED WARRANTY OF MERCHANTABILITY OR FITNESS FOR A PARTICULAR PURPOSE OR PATENT OR OTHER INTELLECTUAL PROPERTY RIGHT INFRINGEMENT. Without limiting the generality of the foregoing, SUCH WARRANTIES DO NOT COVER: Coated incandescent light bulbs, fluorescent lights, heat lamp bulbs, coated halogen light bulbs, halogen heat lamp bulbs, xenon light bulbs, LED light tubes, glass components, and fuses; Product failure in booster tank, fin tube heat exchanger, or other water heating equipment caused by liming, sediment buildup, chemical attack, or freezing; or Product misuse, tampering or misapplication, improper installation, or application of improper voltage.

2. LIMITATION OF REMEDIES AND DAMAGES

Hatco's liability and Buyer's exclusive remedy hereunder will be limited solely to replacement of part or Product using, at Hatco's option, new or refurbished parts or Product by Hatco or a Hatco-authorized service agency with respect to any claim made within the applicable warranty period referred to above. Hatco reserves the right to accept or reject any such claim in whole or in part. In the context of this Limited Warranty, "refurbished" means a part or Product that has been returned to its original specifications by Hatco or a Hatco-authorized service agency. Hatco will not accept the return of any Product without prior written approval from Hatco, and all such approved returns shall be made at Buyer's sole expense. HATCO WILL NOT BE LIABLE, UNDER ANY CIRCUMSTANCES, FOR CONSEQUENTIAL OR INCIDENTAL DAMAGES, INCLUDING BUT NOT LIMITED TO LABOR COSTS OR LOST PROFITS RESULTING FROM THE USE OF OR INABILITY TO USE THE PRODUCTS OR FROM THE PRODUCTS BEING INCORPORATED IN OR BECOMING A COMPONENT OF ANY OTHER PRODUCT OR GOODS.

SERVICE INFORMATION

The warranty on Hatco Toast-Max™ Series toasters is for one year from date of purchase or eighteen months from date of shipping from Hatco, whichever occurs first.

If you experience a problem with a Toast-Max™ toaster during the warranty period, please do the following:

Contact Local Hatco Dealer

When contacting the Hatco dealer for service assistance, please supply the dealer with the following information to ensure prompt processing:

- Model of unit
- Serial number (located on the side of the unit)
- Specific problem with the unit
- Date of purchase
- Name of business
- Shipping address
- Contact name and phone number

The Hatco dealer will do the following:

- Provide replacement part(s) as required
- Submit warranty claim to Hatco for processing

Non-Warranty Problems

If you experience a non-warranty problem that requires assistance, please contact the nearest Authorized Hatco Service Agency.

To locate the nearest Service Agency:

- access our website at www.hatcocorp.com, select the *Resources* pull-down menu, and click on "Find Service Agent/Distributor"
- call Hatco Service at 414-671-6350
- e-mail Hatco Service at partsandservice@hatcocorp.com



Wichtige Informationen für den Benutzer	11	Aufstellen des Geräts	15
Einleitung	11	Allgemeines	15
Wichtige Sicherheitshinweise	12	Installation der vorderen und hinteren Ausgabe.....	15
Modellbeschreibung	13	Betrieb	16
Alle Modelle	13	Allgemeines	16
Modelle TM-5 und TM-5H	13	Wartung	17
Modelle TM-10 und TM-10H	13	Allgemeines	17
Modellbezeichnung	13	Reinigung.....	17
Technische Daten	14	Richtlinien zur Störungsbeseitigung	18
Steckerkonfigurationen	14	Internationale Beschränkte Garantie	19
Tabelle der elektrischen Anschlüsse	14	Hinweise zur Garantieleistung	19
Abmessungen	14		

WICHTIGE INFORMATIONEN FÜR DEN BENUTZER

Schreiben Sie die Modellbezeichnung, die Seriennummer (seite des Geräts), die Spannung und das Kaufdatum in die folgenden Zeilen. Haben Sie bitte diese Information zur Hand, wenn Sie Hatco wegen einer Service-Unterstützung anrufen.

Modellbezeichnung _____

Seriennummer _____

Spannung _____

Kaufdatum _____

Registrieren Sie Ihr Gerät!

Wenn Sie die Online-Garantieregistrierung ausfüllen, vermeidet das Verzögerungen beim Erhalt der Garantiedeckung. Rufen Sie die Hatco Website unter www.hatcocorp.com auf, wählen Sie das Pulldown-Menü „Parts & Service“ (Ersatzteile und Wartung) aus und klicken Sie auf „Warranty Registration“ (Garantieregistrierung).

Geschäftszeiten:

8.00 Uhr bis 17.00 Uhr
Central Standard Time (CST)

(im Sommer: Juni bis September –
8.00 Uhr bis 17.00 Uhr (CST)
Montag bis Donnerstag

8.00 Uhr bis 14.30 Uhr (CST) Freitag)

Telefon: (414) 671-6350

E-mail: partsandservice@hatcocorp.com

Fax: (414) 671-3976 (Ersatzteile und Service)

Weitere Informationen finden Sie auf unserer Website unter www.hatcocorp.com.

EINLEITUNG

Toast-Max™, der elektrische Durchlauftoaster von Hatco, wurde speziell für ein schnelleres Toasten entwickelt. Die zum Toasten bestimmten Produkte werden beim Durchlaufen einer Heizkammer schnell und gründlich getoastet. Der Feuchtigkeits- und Zuckergehalt sowie die Dicke des Brotprodukts sind Faktoren, die sich darauf auswirken, ob das Produkt perfekt getoastet werden kann. Da die Geschwindigkeit des Transportbands und nicht die Temperatur den Bräunungsgrad bestimmt, kann die Toastzeit jederzeit korrigiert werden.

Hatco-Toaster sind für höchste Ansprüche und vielfältige Einsatzmöglichkeiten in der Gastronomie gebaut. Auf die Heizelemente erhalten Sie eine zweijährige Garantie auf Bruch und Durchbrennen.

Diese Anleitung enthält die Sicherheitsinformationen, Installations- und Betriebsverfahren für den Toast-Max™, der elektrische Durchlauftoaster von Hatco empfiehlt, alle in diesem Handbuch enthaltenen Einbau-, Sicherheits- und Bedienungsanweisungen vor der Installation und Inbetriebnahme zu lesen.

Sicherheitshinweise sind in diesem Handbuch durch ein Warnsymbol mit den folgenden Signalwörtern gekennzeichnet:




WARNUNG bedeutet, dass eine Gefahr schwerer oder tödlicher Verletzungen besteht, wenn die Situation nicht vermieden wird.



VORSICHT bedeutet, dass eine Gefahr leichter oder mittelschwerer Verletzungen besteht, wenn die Situation nicht vermieden wird.



HINWEIS bedeutet, dass eine Gefahr von Geräte- oder Sachschäden besteht.

 Vor der Anwendung dieser Ausrüstung lesen Sie die folgenden wichtigen Sicherheitsinformationen, um ernste Verletzung oder Tod zu vermeiden und Schaden der Ausrüstung oder des Eigentums zu vermeiden.

WARNUNG

GEFAHR VON ELEKTROSCHOCKS:

- Das Gerät muss an eine ordnungsgemäß geerdete Steckdose mit der richtigen Spannung, Größe und Steckerkonfiguration angeschlossen werden. Wenn Stecker und Steckdose nicht übereinstimmen, wenden Sie sich an einen qualifizierten Elektriker, um die richtige Netzspannung und Steckerart zu ermitteln und die korrekte Steckdose zu installieren.
- Schalten Sie die Stromversorgung AUS, ziehen Sie das Netzkabel aus der Steckdose und lassen Sie das Gerät abkühlen, bevor Sie den Toaster reinigen, einstellen, warten oder versuchen, eine Blockierung zu lösen.
- Das Gerät ist nicht witterungsfest. Stellen Sie das Gerät in einem Raum an einer Stelle auf, an der die Umgebungstemperatur mindestens 21 °C beträgt.
- Ziehen Sie das Gerät nicht am Kabel.
- Betreiben Sie das Gerät nicht, wenn das Netzkabel durchgescheuert oder abgenutzt ist.
- Versuchen Sie nicht, ein beschädigtes Netzkabel zu reparieren oder zu ersetzen. Das Kabel muss durch Hatco, einen autorisierten Servicebetrieb oder einen qualifizierten Techniker ersetzt werden.
- Reparaturen am Toaster dürfen nur von qualifiziertem Personal durchgeführt werden. Von unqualifiziertem Personal durchgeführte Reparaturen können zu Elektroschocks oder Verbrennungen führen.
- Reinigen Sie das Gerät nicht mit Dampf oder übermäßig viel Wasser.
- Dieses Gerät ist nicht für direktes Absprühen mit einem Wasserstrahl geeignet. Es darf nicht mit einem Sprühstrahl gereinigt werden.
- Stecken Sie kein(e) Messer, Gabel oder ähnlichen Gegenstände in die Toasterschlitzte.
- Heben Sie das Gerät nicht an, indem Sie die Finger in die Toasterschlitzte stecken und das Gerät an den Heizelementen greifen.
- Reinigen Sie das Gerät nicht, wenn es sich in Betrieb befindet oder heiß ist.
- Achten Sie darauf, dass keine Flüssigkeiten in das Gerät geschüttet werden.
- Verwenden Sie bei der Reparatur von Hatco Geräten ausschließlich Hatco Ersatzteile. Wenn Sie keine Original-Hatco-Ersatzteile verwenden, setzen Sie die Bediener der Geräte möglicherweise gefährlichen elektrischen Spannungen aus, welche zu Stromschlag oder Verbrennungen führen können. Original-Hatco-Ersatzteile sind für den sicheren Betrieb unter den gegebenen Einsatzbedingungen ausgelegt. Manche Ersatzteile anderer Hersteller oder Nachbauteile verfügen nicht über die geforderten Eigenschaften und funktionieren nicht sicher in Hatco Geräten.

Falls eine Reparatur dieses Geräts erforderlich sein sollte, wenden Sie sich an Ihren autorisierten Hatco Servicebetrieb oder an die Hatco Serviceabteilung unter +1-414-671-6350 (Telefon) oder +1-414-671-3976 (Fax).

WARNUNG

BRANDGEFAHR:

- Stellen Sie das Gerät mit mindestens 25 mm Abstand zu entflammenden Wänden oder Materialien auf. Wenn dieser Sicherheitsabstand nicht eingehalten wird, können Verfärbungen entstehen und brennbare Stoffe können sich entzünden.
- Stellen Sie keine Gegenstände auf den Toaster. Stellen Sie den Toaster nicht in der Nähe von bzw. unter Gardinen oder anderen brennbaren Stoffen auf. In der Nähe des oder auf dem Toaster befindliche Gegenstände können sich entzünden und Verletzungen und/oder Sachschäden verursachen.

EXPLOSIONSGEFAHR: Lagern oder verwenden Sie weder Benzin noch andere entflammende Dämpfe oder Flüssigkeiten in der Nähe dieses Geräts oder anderer Haushaltsgeräte.

Dieses Gerät ist nicht für den Gebrauch durch Kinder oder Personen mit eingeschränkten körperlichen, sensorischen oder geistigen Fähigkeiten vorgesehen. Für eine ordnungsgemäße Beaufsichtigung von Kindern sorgen und diese von dem Gerät fern halten.

Im Falle eines Brandes muss der Toaster sofort von der Stromquelle getrennt werden. Das Gerät kühlt sich dann ab, und das Feuer kann leichter und auf sicherere Weise gelöscht werden.

Dieses Gerät nicht mit einer externen Uhr oder einer Fernbedienung betreiben.

Reparaturen am Toaster dürfen nur von qualifiziertem Personal durchgeführt werden. Von unqualifiziertem Personal durchgeführte Reparaturen können zu Elektroschocks oder Verbrennungen führen. Dieses Gerät erhält keine vom Benutzer zu wartenden Teile.

VORSICHT

VERBRENNUNGSGEFAHR:

- Einige Außenflächen des Geräts werden heiß. Beim Berühren dieser Flächen Vorsicht walten lassen.
- Die Krümelschublade darf nur dann entfernt werden, wenn der Toaster abgekühlt ist.

Stellen Sie das Gerät unter Einhaltung der richtigen Thekenhöhe an einer geeigneten Stelle auf. Der Aufstellungsort sollte eben sein, um versehentliches Umkippen des Geräts bzw. Herausfallen des Inhalts zu verhindern, und standfest genug, um das Gewicht von Gerät und Speisen zu tragen.

Betreiben Sie den Toaster nur mit eingesetzter Krümelschublade.

Das Rösten von beschichteten oder gebutterten Erzeugnissen wie z. B. Knoblauchbrot, Käsesandwiches oder Süßgebäck wird NICHT empfohlen. Rückstände mindern die Leistung des Toasters und können sich im Toaster entzünden. Die Verwendung des Toasters mit den o. a. Lebensmittelprodukten macht die Garantie nichtig.

HINWEIS

Legen Sie das Gerät nicht auf die Seite mit dem Bedienfeld, um Beschädigungen zu verhindern.

Eintauchen oder Sättigen in Wasser beschädigt das Gerät und macht die Produktgarantie ungültig.

Der Toaster ist nur für den gewerblichen Gebrauch und NICHT für den Gebrauch im Haushalt vorgesehen.

HINWEIS

Verwenden Sie nur nichtscheuernde Reinigungsmittel. Scheuernde Reinigungsmittel können die Oberfläche des Geräts verkratzen und es damit unansehnlich und anfällig für das Festsetzen von Verunreinigungen machen.

MODELLBESCHREIBUNG

Alle Modelle

Alle elektrischen Durchlauftoaster des Typs Toast-Max™ sind schnell, zuverlässig und vielseitig und können pro Stunde 300 Brot- oder Brötchenprodukte toasten. Dank der vorderen oder hinteren Ausgabe kann der Bediener den Toast-Max-Toaster dort aufstellen, wo es am praktischsten ist. Jeder Toast-Max-Toaster ist mit lange haltbaren, metallummantelten Rohrschlangen-Heizelementen, einem permanent geschmierten Transportbandmotor und einem Vierstellungs-Toastwahlschalter ausgerüstet. Jedes Gerät wird werkseitig mit 102 mm langen Standfüßen, einer Toast-Zufuhrrampe, einem abnehmbaren Krümelfach und einem Toast-Auffangbehälter versehen.

Modell TM-5

Mit dem Modell TM-5 können Brotprodukte in einer Dicke von bis zu 38 mm und einer Breite von bis zu 254 mm getoastet werden. Die Toastleistung beträgt max. 180 Scheiben pro Stunde.

Modell TM-5H

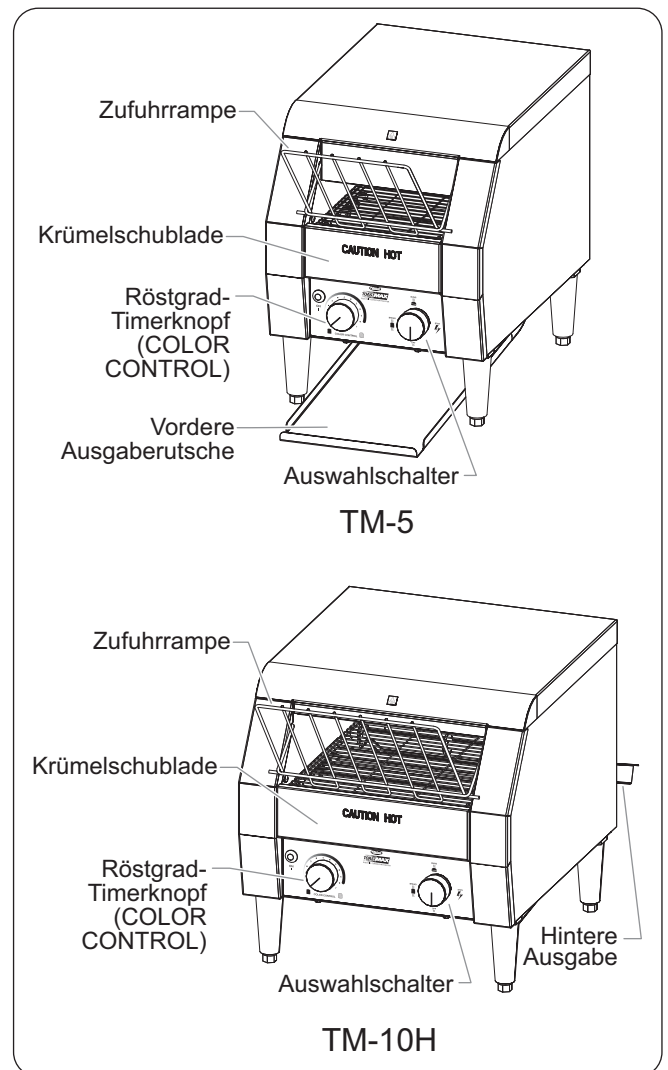
Mit dem Modell TM-5H können Brotprodukte in einer Dicke von bis zu 64 mm und einer Breite von bis zu 254 mm getoastet werden. Die Toastleistung beträgt max. 180 Scheiben pro Stunde.

Modell TM-10

Mit dem Modell TM-10 können Brotprodukte in einer Dicke von bis zu 38 mm und einer Breite von bis zu 254 mm getoastet werden. Die Toastleistung beträgt max. 300 Scheiben pro Stunde.

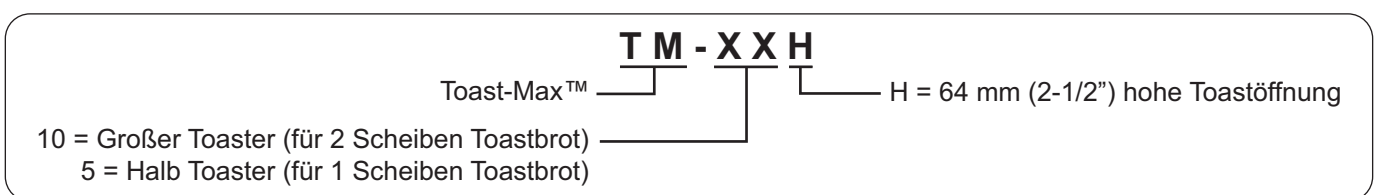
Modell TM-10H

Mit dem Modell TM-10H können Brotprodukte in einer Dicke von bis zu 64 mm und einer Breite von bis zu 254 mm getoastet werden. Die Toastleistung beträgt max. 300 Scheiben pro Stunde.



Modelle TM-5 und TM-10H

MODELLBEZEICHNUNG



TECHNISCHE DATEN

D

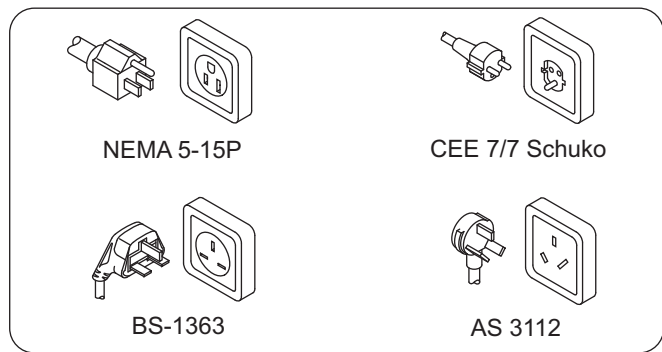
Steckerkonfigurationen

Geräte werden werkseitig mit einem Netzkabel mit angebrachtem Stecker ausgerüstet. Die gelieferten Stecker entsprechen der jeweiligen Anwendung.

⚠️ WARNUNG

GEFAHR VON ELEKTROSCHOCKS: Das Gerät muss an eine ordnungsgemäß geerdete Steckdose mit der richtigen Spannung, Größe und Steckerkonfiguration angeschlossen werden. Wenn Stecker und Steckdose nicht übereinstimmen, wenden Sie sich an einen qualifizierten Elektriker, um die richtige Netzspannung und Steckerart zu ermitteln und die korrekte Steckdose zu installieren.

ANMERKUNG: Die Steckdose wird nicht von Hatco bereitgestellt.



Steckerkonfigurationen

ANMERKUNG: Die Plakette mit den Spezifikationen befindet sich an der Seite des Geräts. Das Typenschild enthält die Seriennummer und alle Daten zum Überprüfen der elektrischen Informationen.

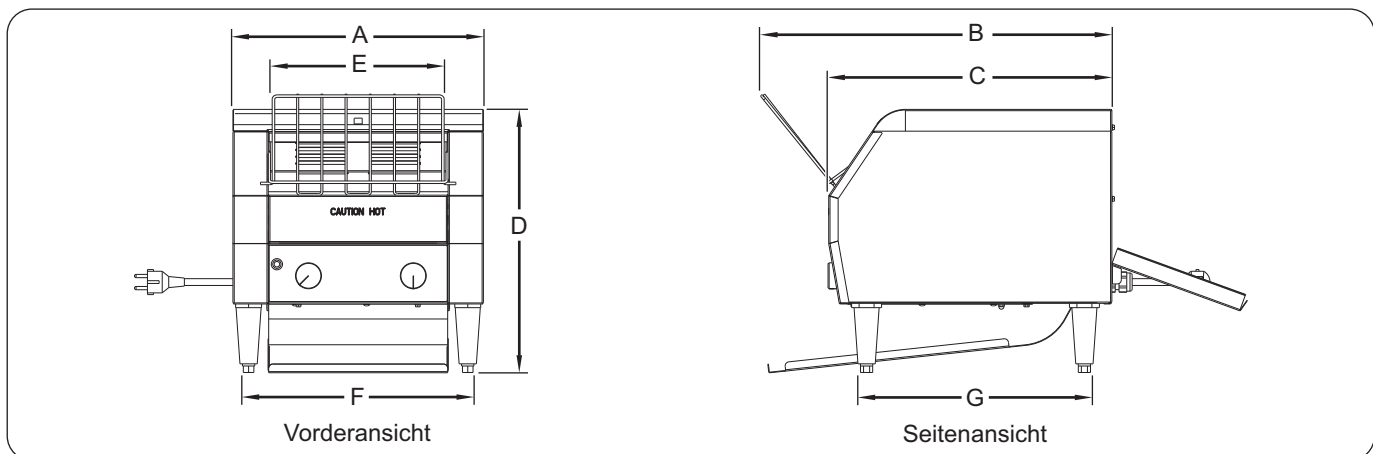
Tabelle Der Elektrischen Anschlüsse

Modell	Spannung	Hertz	Watts	Ampere	Steckerkonfiguration	Versandgewicht
TM-5	220–240 (CE)	50/60	1340–1595	6.1–6.6	CEE 7/7 Schuko, BS-1363, or AS 3112	16 kg (36 lbs.)
TM-5H	100	50/60	1340	13.4	NEMA 5-15	16 kg (36 lbs.)
	120	50/60	1340	11.2	NEMA 5-15	16 kg (36 lbs.)
	220–240 (CE)	50/60	1340–1595	6.1–6.6	CEE 7/7 Schuko, BS-1363, or AS 3112	16 kg (36 lbs.)
TM-10	220–240 (CE)	50/60	1940–2300	8.8–9.6	CEE 7/7 Schuko, BS-1363, or AS 3112	19 kg (41 lbs.)
TM-10H	120	50/60	1790	14.9	NEMA 5-15	19 kg (41 lbs.)
	220–240 (CE)	50/60	1940–2300	8.8–9.6	CEE 7/7 Schuko, BS-1363, or AS 3112	19 kg (41 lbs.)

Abmessungen

Modell	Breite (A)	Gesamttiefe (B)*	Einheits-tiefe (C)	Höhe (D)	Toaster-kammer-breite (E)	Breite zwischen Füßen (F)	Tiefe zwischen Füßen (G)
TM-5 and TM-5H	290 mm (11-7/16")	523 mm (20-5/8")	419 mm (16-1/2")	387 mm (15-1/4")	186 mm (7-3/8")	260 mm (10-1/4")	336 mm (13-1/4")
TM-10 and TM-10H	368 mm (14-1/2")	520 mm (20-1/2")	419 mm (16-1/2")	387 mm (15-1/4")	264 mm (10-3/8")	338 mm (13-3/8")	336 mm (13-1/4")

* Für Einheiten mit einer hinteren Ausgabeschale können 195 mm zur Einbautiefe (B) hinzugefügt werden.



Allgemeines

Der Toast-Max™, der elektrische Durchlauftoaster wird mit allen Komponenten zusammengebaut geliefert. Gehen Sie beim Auspacken vorsichtig vor, um eine Beschädigung des Geräts und der im Lieferumfang enthaltenen Komponenten zu vermeiden

⚠️ WARNUNG

GEFAHR VON ELEKTROSCHOCKS: Das Gerät ist nicht witterungsfest. Stellen Sie das Gerät in einem Raum an einer Stelle auf, an der die Umgebungstemperatur mindestens 21 °C beträgt.

EXPLOSIONSGEFAHR: Lagern oder verwenden Sie weder Benzin noch andere entflammable Dämpfe oder Flüssigkeiten in der Nähe dieses Geräts oder anderer Haushaltsgeräte.

BRANDGEFAHR:

- Stellen Sie das Gerät mit mindestens 25 mm Abstand zu entflammaren Wänden oder Materialien auf. Wenn dieser Sicherheitsabstand nicht eingehalten wird, können Verfärbungen entstehen und brennbare Stoffe können sich entzünden.
- Stellen Sie keine Gegenstände auf den Toaster. Stellen Sie den Toaster nicht in der Nähe von bzw. unter Gardinen oder anderen brennbaren Stoffen auf. In der Nähe des oder auf dem Toaster befindliche Gegenstände können sich entzünden und Verletzungen und/oder Sachschäden verursachen.

1. Nehmen Sie das Gerät aus dem Karton.

HINWEIS: Registrieren Sie sich online für die Garantie, damit keine Verzögerung bei der Garantie entsteht. Einzelheiten finden Sie im Abschnitt WICHTIGE BESITZERINFORMATIONEN.

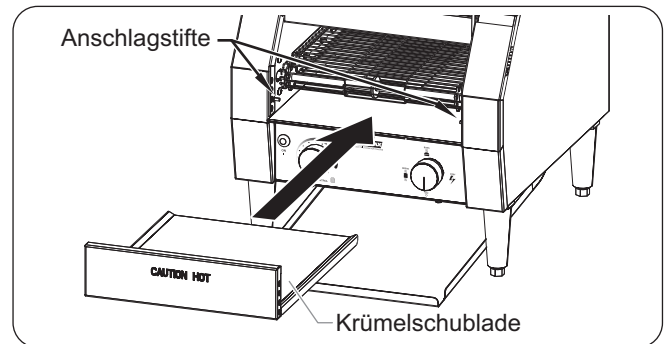
2. Entfernen Sie Klebeband und Schutzverpackung von allen Oberflächen des Geräts.
3. Stellen Sie das Gerät am gewünschten Ort auf.
 - Das Gerät in einem Bereich mit konstanter Umgebungslufttemperatur (mindestens 21 °C [70 °F]) anbringen. Bereiche, die aktiven Luftbewegungen oder -strömen ausgesetzt sind (z. B. in der Nähe von Gebläsen/Lüftern und Klimatisierungsrohren) sind zu meiden.
 - Wählen Sie einen Ort mit der richtigen Thekenhöhe und bequemem Zugang.
 - Stellen Sie sicher, dass der Aufstellungsort eben und standfest genug ist, um das Gewicht von Gerät und Speisen zu tragen.
 - Achten Sie darauf, dass alle Füße an der Unterseite des Geräts fest auf der Theke stehen.

4. Passen Sie bei Bedarf die Höhe des Geräts an, indem Sie an der verstellbaren Vorrichtung an jedem der Standbeine drehen. Verwenden Sie einen 16-mm-Maulschlüssel für die Höhenverstellung.



5. Legen Sie die Krümelschublade ein.
 - a. Legen Sie die Krümelschublade unmittelbar unter die Anschlagstifte unter das Transportband im vorderen Bereich des Toasters.
 - b. Schieben Sie die Krümelschublade in den Toaster, bis die Vorderseite der Krümelschublade die Anschlagstifte berührt.

6. Legen Sie die vordere Ausgaberutsche oder hintere Ausgabeschale in die Rückseite des Toasters. Weitere Informationen finden Sie in dem Abschnitt „Installation der vorderen und hinteren Ausgabe“.



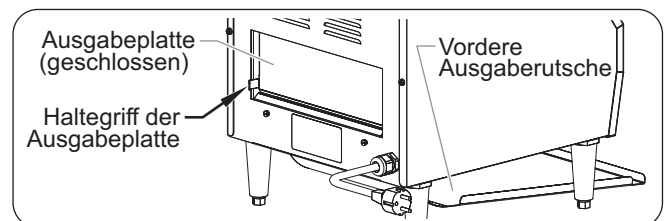
Installation der Krümelschublade

Installation der Vorderen/Hinteren Ausgabe

Toast-Max-Geräte können für die Ablage der Backwaren entweder an der Vorder- oder der Rückseite des Geräts konfiguriert werden.

Für die vordere Ausgabe:

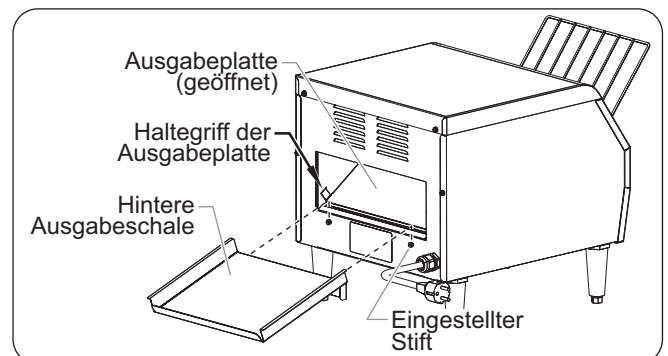
1. Schieben Sie die vordere Ausgaberutsche unter den Toaster.
2. Richten Sie das gebogene Ende der Rutsche leicht nach oben aus, sodass die obere Kante der Rutsche über die hinteren Stifte (einer auf jeder Seite) gelegt werden kann.
3. Ziehen Sie die Ausgabepatte zu, sodass sie sich in geschlossener Position befindet.



Vordere Ausgabe (Rückansicht)

Für die hintere Ausgabe:

1. Entfernen Sie die vordere Ausgaberutsche, wenn diese eingelegt ist.
2. Richten Sie die Eckkerben der hinteren Ausgabeschale über die zwei eingestellten Stifte und senken Sie es in die entsprechende Position ab.
3. Öffnen Sie die Ausgabepatte, bis sie von den innenliegenden Stiften gehalten wird.



Hintere Ausgabe (Rückansicht)

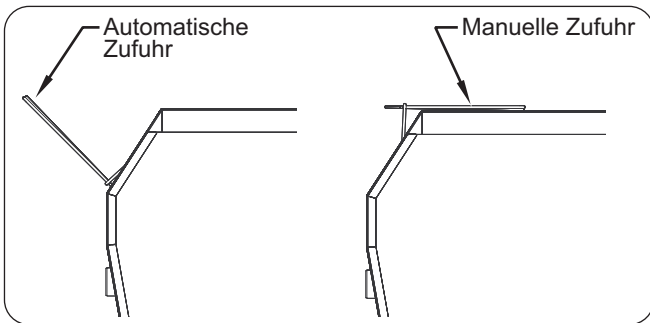
Allgemeines

Der Toaster wurde für einfache Bedienung konstruiert. Verwenden Sie das folgende Verfahren für die Bedienung des Toasters.

⚠️ WARNUNG

Lesen Sie alle Sicherheitshinweise im Abschnitt **WICHTIGE SICHERHEITSHINWEISE**, bevor Sie das Gerät verwenden.

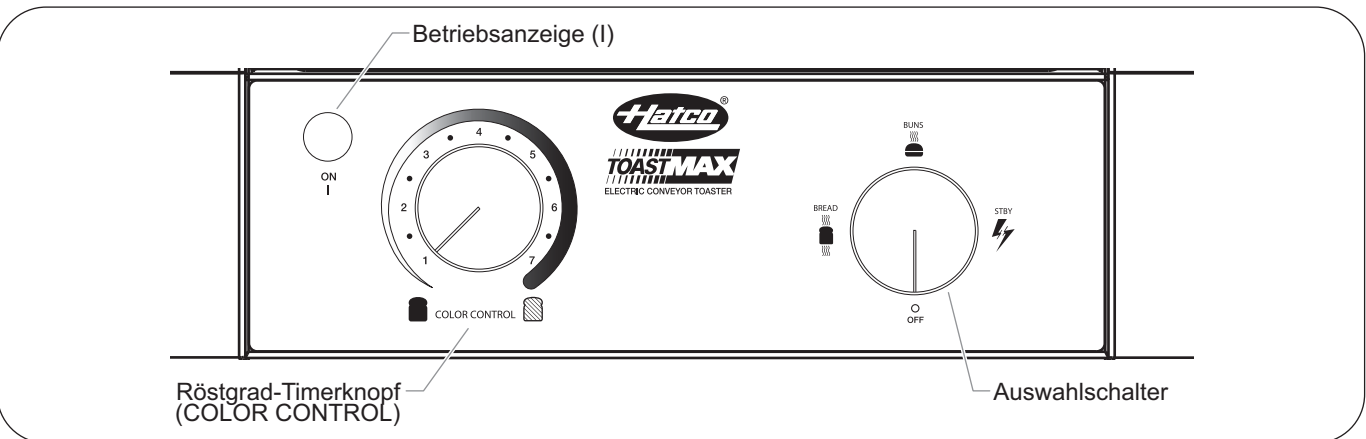
- Das Gerät muss an eine geerdete Steckdose mit korrekter Spannungsversorgung und passender Ausführung angeschlossen werden. Details sind unter TECHNISCHE DATEN zu finden.
- Bringen Sie die Zufuhr rampe in die gewünschte Position.
 - Bringen Sie die Zufuhr rampe für eine automatische Zufuhr in die automatische Zufuhr position. Die Brotscheiben gelangen in den Toaster, indem Sie auf die Zufuhr rampe gelegt und dann losgelassen werden.
 - Drehen Sie die Zufuhr rampe für eine manuelle Zufuhr nach oben, bis diese auf der oberen Seite der Einheit liegt. Brotscheiben können manuell, direkt auf das Transportband gelegt werden.



Hintere Ausgabe (Rückansicht)

- Drehen Sie den Auswahlschalter zu der gewünschten Toast-Einstellung.
 - Um beide Seiten des Brotes zu toasten, bringen Sie den Auswahlschalter in die BROT-Position.
 - Um nur eine Seite des Brotes zu toasten, bringen Sie den Auswahlschalter in die BRÖTCHEN-Position.

HINWEIS: Die Betriebsanzeige (I) leuchtet auf, nachdem eine gewünschte Toast-Einstellung vorgenommen wurde.



Bedienpult

- Drehen Sie den Bräunungsgradregler in die hellste Position, während sich das Gerät erwärmt.

HINWEIS: Warten Sie ca. 15 bis 20 Minuten, bis das Gerät seine Betriebstemperatur erreicht hat.

⚠️ VORSICHT

VERBRENNUNGSGEFAHR: Einige Außenflächen des Geräts werden heiß. Beim Berühren dieser Flächen Vorsicht walten lassen.

- Stellen Sie den Bräunungsgradregler nach der Aufwärmperiode auf die Mittelposition und toasten Sie zwei Scheiben eines Brotprodukts. Stellen Sie dann den Bräunungsgradregler wie gewünscht ein.

HINWEIS: Zum Toasten von Produkten mit einem höheren Feuchtigkeitsgehalt -z.B. englische Muffins, Roggenbrot oder Vollkornbrot -verlangsamen Sie das Transportband, indem Sie den Bräunungsgradregler (im Uhrzeigersinn) auf eine dunklere Einstellung drehen.

Alle Toaster der Serie TM können durch Drehen des Wahlschalters in die Bereitschaftsstellung in einen Stromsparmmodus versetzt werden. Im Stromsparmmodus läuft der Toaster mit 25 % der verfügbaren Leistung.

HINWEIS: Um den Toaster wieder in den Vollbetriebsmodus zu versetzen, drehen Sie den Wahlschalter in die Brot- oder Brötchenstellung. Das Gerät ist dann innerhalb von 5 Minuten wieder zum Toasten bereit.

⚠️ VORSICHT

Stellen Sie das Gerät unter Einhaltung der richtigen Thekenhöhe an einer geeigneten Stelle auf. Der Aufstellungsort sollte eben sein, um versehentliches Umkippen des Geräts bzw. Herausfallen des Inhalts zu verhindern, und standfest genug, um das Gewicht von Gerät und Speisen zu tragen.

Betreiben Sie den Toaster nur mit eingesetzter Krümelschubblade.

Das Rösten von beschichteten oder gebutterten Erzeugnissen wie z. B. Knoblauchbrot, Käsesandwiches oder Süßgebäck wird NICHT empfohlen. Rückstände mindern die Leistung des Toasters und können sich im Toaster entzünden. Die Verwendung des Toasters mit den o. a. Lebensmittelprodukten macht die Garantie nichtig.

Allgemeines

Die Toast-Max-Elektrische Durchlaufoaster der Firma Hatco sind bei minimalem Wartungsbedarf für lange Lebensdauer und maximale Leistung konstruiert.

WARNUNG

GEFAHR VON ELEKTROSCHOCKS:

- Schalten Sie die Stromversorgung AUS, ziehen Sie das Netzkabel aus der Steckdose und lassen Sie das Gerät abkühlen, bevor Sie den Toaster reinigen, einstellen, warten oder versuchen, eine Blockierung zu lösen.
- Tauchen Sie das Gerät NICHT in Wasser und reinigen Sie das Gerät NICHT mit übermäßig viel Wasser. Das Gerät ist nicht wasserdicht. Es darf nicht betrieben werden, wenn es in Wasser getaucht oder mit übermäßig viel Wasser gereinigt wurde.
- Reinigen Sie das Gerät nicht mit Dampf oder übermäßig viel Wasser.
- Dieses Gerät ist nicht für direktes Absprühen mit einem Wasserstrahl geeignet. Es darf nicht mit einem Sprühstrahl gereinigt werden.
- Reinigen Sie das Gerät nicht, wenn es sich in Betrieb befindet oder heiß ist.
- Achten Sie darauf, dass keine Flüssigkeiten in das Gerät geschüttet werden.
- Verwenden Sie bei der Reparatur von Hatco Geräten ausschließlich Hatco Ersatzteile. Wenn Sie keine Original-Hatco-Ersatzteile verwenden, setzen Sie die Bediener der Geräte möglicherweise gefährlichen elektrischen Spannungen aus, welche zu Stromschlag oder Verbrennungen führen können. Original-Hatco-Ersatzteile sind für den sicheren Betrieb unter den gegebenen Einsatzbedingungen ausgelegt. Manche Ersatzteile anderer Hersteller oder Nachbauteile verfügen nicht über die geforderten Eigenschaften und funktionieren nicht sicher in Hatco Geräten.

Falls eine Reparatur dieses Geräts erforderlich sein sollte, wenden Sie sich an Ihren autorisierten Hatco Servicebetrieb oder an die Hatco Serviceabteilung unter +1-414-671-6350 (Telefon) oder +1-414-671-3976 (Fax).

Reinigung

Zur Pflege des Toastergehäuses empfiehlt es sich, die Metallflächen täglich mit einem feuchten Tuch abzuwischen.

HINWEIS

Verwenden Sie nur nichtscheuernde Reinigungsmittel. Scheuernde Reinigungsmittel können die Oberfläche des Geräts verkratzen und es damit unansehnlich und anfällig für das Festsetzen von Verunreinigungen machen.

Das Versenken oder die Sättigung der Maßeinheit mit Wasser schädigen die Maßeinheit und heben die Maßeinheitengarantie auf.

1. Nehmen Sie die Krümelschublade heraus und entleeren Sie sie.

VORSICHT

Entfernen Sie nicht den Krümelschublade für Reinigung, bis der Toaster kühl ist.

2. Waschen Sie die Krümelschublade mit warmem Wasser und einem milden Reinigungsmittel und spülen Sie sie mit klarem Wasser ab.
3. Entfernen Sie die vordere Ausgaberrutsche oder die hintere Ausgabeschale und waschen Sie diese mit einem milden Reinigungsmittel. Mit Wasser abspülen.
 - Lassen Sie die vordere Ausgaberrutsche oder die hintere Ausgabeschale vor dem Wiedereinsetzen lufttrocknen.
4. Wischen Sie die Außenflächen des Toasters mit einem feuchten Tuch ab. **HINWEIS: Verwenden Sie nur nichtscheuernde Reinigungsmittel.**
5. Entfernen und reinigen Sie die Zufuhrrampe.
 - a. Drücken Sie die beiden Drahtspeichen nach innen und heben Sie sie an, um die Toast-Zufuhrrampe zu entfernen.
 - b. Wischen Sie die Rampe mit einem weichen, feuchten Tuch ab oder tauchen Sie sie in eine milde Lösung aus ca. 227 ml Ammoniak und 3,785 l Wasser ein.
 - c. Richten Sie die Drahtspeichen mit den Löchern im Toaster aus, um die Rampe wieder einzubauen.

HINWEIS: Der Transportbandmotor und das Transportbandsystem sind dauergeschmiert und müssen nicht nachgeschmiert werden.

RICHTLINIEN ZUR STÖRUNGSBESEITIGUNG

D

WARNUNG

Reparaturen am Toaster dürfen nur von qualifiziertem Personal durchgeführt werden. Von unqualifiziertem Personal durchgeführte Reparaturen können zu Elektroschocks oder Verbrennungen führen.

WARNUNG

GEFAHR VON ELEKTROSCHOCK: Ziehen Sie den Stecker des Toasters aus der Steckdose und lassen Sie das Gerät abkühlen, bevor Sie Wartungs- oder Reinigungsarbeiten durchführen oder versuchen, eine verklemmte Toastscheibe zu lösen.

Problem	Mögliche Ursache	Abhilfemassnahme
Toast zu hell.	Röstgrad-Timerknopf auf eine Einstellung für hellen Toast gestellt.	Den Röstgrad-Timerknopf auf eine Einstellung für dunkleren Toast stellen.
	Speisespannung zum Gerät ist zu niedrig.	Sicherstellen, dass die Speisespannung des Toasters den technischen Daten des Gerät entspricht.
Toast zu dunkel.	Röstgrad-Timerknopf auf eine Einstellung für dunklen Toast gestellt.	Den Röstgrad-Timerknopf auf eine Einstellung für helleren Toast stellen.
	Speisespannung zum Gerät ist zu hoch.	Sicherstellen, dass die Speisespannung des Toasters den technischen Daten des Gerät entspricht.
Gerät toastet nur auf einer Seite.	Der Knopf TOAST/BAGEL ist in der Position BAGEL (einseitiges Toasten).	Den Knopf TOAST/BAGEL drücken, um die Toastposition einzustellen (zweiseitiges Toasten).
	Heizelement defekt.	Wenn das Heizelement nicht rot glüht, wenden Sie sich an Ihren Hatco Händler vor Ort oder an den Kundendienst von Hatco.
Wenden Sie sich an Ihren Hatco Händler vor Ort oder an den Kundendienst von Hatco.	Leistungsschalter ist nicht den Anforderungen des Toasters entsprechend dimensioniert.	Prüfen Sie, ob der Leistungsschalter richtig dimensioniert ist.
	Verdrahtungsfehler im Toaster.	Wenden Sie sich an Ihren Hatco Händler vor Ort oder an den Kundendienst von Hatco.

1. PRODUKTGARANTIE

Hatco gewährleistet, dass die von ihr hergestellten Produkte (die "Produkte") bei normalem Gebrauch und Einsatz für einen Zeitraum von einem (1) Jahr ab dem Kaufdatum keinerlei Materialfehler aufweisen werden, vorausgesetzt, dass sie gemäß der schriftlichen Anleitung von Hatco installiert und gewartet wurden, bzw. für einen Zeitraum von 18 Monaten ab dem Datum der Lieferung durch Hatco. Der Käufer muss das Kaufdatum des Produkts bestätigen, indem das Produkt bei Hatco registriert wird, oder durch andere Maßnahmen, die ausschließlich nach eigenem Ermessen von Hatco als zufrieden stellend angesehen werden.

Hatco garantiert, dass die folgende Produktteile ab dem Kaufdatum (gemäß den obigen Bedingungen) für folgenden Zeitabschnitte und unter folgenden Bedingungen frei von Materialfehlern sind:

a) Beschränkte Zweijahres-Garantie auf Teile:

Durchlauftoaster-Elemente (Metallmantel)
Metall-ummantelte Wärme-Elemente der Lade
Ladenrollen und -bahnen der Wärme-Lade
Metall-ummantelte Speisewärmer-Elemente
Metall-ummantelte Luft-Wärme-Elemente für Schaukästen
Metall-ummantelte Luft-Wärme-Elemente für
Aufbewahrungskästen
Eingebaute, metallummantelte Heizschachtelemente —
Serien HWB

b) Ein (1) Jahr auf Teile PLUS vier (4) Jahre nur auf Teile anteilmäßig für anteilmäßige Bedingungen, die Hatco dem Käufer auf Anfrage erläutert:

3CS- und FR-Tanks

c) Zehn (10) Jahre Garantie auf Teile:

Elektrische Booster-Heiztanks
Booster-Gasheiztanks

d) Neunzig (90) Tage Garantie auf Teile:

Ersatzteile

DIE OBIGEN GARANTIEBEDINGUNGEN GELTEN ALLEIN UND AUSSCHLIESSLICHE ANSTELLE ALLER ANDEREN GARANTIEBEDINGUNGEN, AUSDRÜCKLICH ODER IMPLIZIT, INKLUSIVE, ABER NICHT DARAUF EINGESCHRÄNKT, JEDER IMPLIZIERTEN GARANTIE AUF VERWERTBARKEIT ODER EIGNUNG FÜR EINEN BESTIMMTEN ZWECK ODER PATENT ODER VERLETZUNG EINES ANDEREN RECHTS AUF GEISTIGES EIGENTUM. Ohne die Allgemeingültigkeit der obigen Bedingungen einzuschränken, GELTEN SOLCHE GARANTIEN NICHT FÜR: Beschichtete Glühlampen, Leuchtstoffröhren, Leuchtenwärmer-Heizlampen, beschichtete Halogenleuchten, Halogenheizleuchten, Xenon-Lampen, LED-Röhren, Glaskomponenten und Sicherungen; Produktausfälle im Durchlauferhitzer-Tank, Lamellenwärmetauscher oder andere Wasserheizvorrichtungen, verursacht durch Verkalkung, Sedimentablagerung, chemischen Angriff oder Frieren, Produktmissbrauch, Manipulation oder falsche Anwendung, unsachgemäße Installation oder Anlegen einer falschen Stromspannung.

2. EINSCHRÄNKUNG DER ERSATZLEISTUNG UND DES SCHADENERSATZES

Die Haftung seitens Hatco und das ausschließliche Rechtsmittel des Käufers ist nach Ermessen von Hatco oder einer von Hatco autorisierten Serviceagentur nur der Ersatz des von der Garantie geschützten Teils oder Produktes, sofern die oben angeführten Garantiefristen eingehalten wurden. Hatco behält sich das Recht vor, Garantieansprüche zur Gänze oder teilweise abzulehnen. Im Sinne dieser beschränkten Garantie bezieht sich der Begriff „überholt“ auf ein Teil oder Produkt, dessen ursprüngliche technische Daten von Hatco oder einem von Hatco autorisierten Reparaturdienst wieder hergestellt wurden. Die Kosten jeder bewilligten Rücksendungen hat ausschließlich der Käufer zu tragen. UNTER KEINEN UMSTÄNDEN IST HATCO FÜR FOLGE- ODER WEITERE SCHÄDEN, INKLUSIVE, ABER NICHT DARAUF BESCHRÄNKT, KOSTEN DER ARBEITSZEIT ODER ENTGANGENER GEWINNE, WELCHE AUS DER VERWENDUNG ODER NICHT MÖGLICHEN VERWENDUNG DER PRODUKTE ODER DEM EINBAU ODER DEM EINSATZ ALS TEIL EINES ANDEREN PRODUKTS ODER WARE ENTSTEHEN, HAFTBAR.

HINWEISE ZUR GARANTIELEISTUNG

Die Garantie für die Hatco Toaster der Toast-Max™ Serie gilt ein Jahr ab dem Kaufdatum oder achtzehn Monate ab der Auslieferung von Hatco, je nachdem, was zuerst eintritt.

Falls während der Garantielaufzeit ein Problem an einem Toast-Max Toaster auftritt, bitte Folgendes machen:

Kontaktaufnahme mit Ihrem lokalen Hatco-Händler

Bei der Kontaktaufnahme mit dem Hatco-Händler für Service-Unterstützung geben Sie dem Händler bitte folgende Informationen an, um die prompte Abwicklung zu gewährleisten:

- Modellbezeichnung des Geräts
- Seriennummer (befindet sich an der Seite des Geräts)
- Beschreibung des am Toaster auftretenden Problems
- Kaufdatum
- Name Ihres Unternehmens
- Versandadresse
- Kontaktperson und Telefonnummer

Der Hatco-Händler Dealer wird:

- Nach Bedarf Ersatzteil(e) bereitstellen
- Den Garantieanspruch zur Bearbeitung an Hatco weiterleiten

Nicht-Garantie Probleme

Falls ein nicht von der Garantie gedecktes Problem auftritt, für das Unterstützung erforderlich ist, wenden Sie sich bitte an die nächste von Hatco autorisierte Serviceagentur.

Aufsuchen der nächsten Serviceagentur:

- Rufen Sie unsere Website unter www.hatcocorp.com auf, wählen Sie das Pull-down-Menü „Resources“ (Ressourcen) aus und klicken Sie auf „Find Service Agent/Distributor“ (Serviceagentur/Vertriebsgesellschaft suchen)
- Rufen Sie Hatco-Service unter der Rufnummer +1 414-671-6350 an
- Senden Sie eine E-Mail an Hatco Service: partsandservice@hatcocorp.com

Información Importante para el Propietario	20	Instalación	24
Introducción	20	Generalidades	24
Información Importante de Seguridad	21	Instalación de la Descarga Delantera o Trasera	24
Descripción del Modelo	22	Operación	25
Todos los Modelos	22	Generalidades	25
Modelos TM-5 y TM-5H	22	Mantenimiento	26
Modelos TM-10 y TM-10H	22	Generalidades	26
Denominación del Modelo	22	Limpieza	26
Especificaciones	23	Guía de Resolución de Problemas	27
Configuraciones del Enchufe	23	Garantía Internacional Limitada	28
Cuadro de Clasificación Eléctrica	23	Información del Servicio de Garantía	28
Dimensiones	23		

INFORMACIÓN IMPORTANTE PARA EL PROPIETARIO

Anote el número de modelo, número de serie (ubicado en la parte costado de la unidad), voltaje y fecha de compra de su unidad en los espacios a continuación. Por favor, tenga esta información disponible cuando llame a Hatco para recibir asistencia técnica.

Modelo No. _____

Serie No. _____

Voltaje _____

Fecha de compra _____

¡No olvide registrar su aparato!
 Registre la garantía en nuestro sitio web para evitar retrasos en la obtención de la cobertura de la garantía. Visite el sitio web de Hatco: www.hatcocorp.com, seleccione el menú desplegable "Piezas & Mantenimiento" (Parts & Service) y haga clic en "Registrar la Garantía" (Warranty Registration).

INTRODUCCIÓN

La tostadora eléctrica Toast-Max™ de Hatco de cinta transportadora está especialmente diseñada para acelerar la operación de tostado. Los productos que se van a tostar pasan a través de una cámara de calentamiento y se tuestan rápida y completamente. La capacidad para lograr un producto perfectamente tostado depende del contenido de humedad y azúcar y del grosor del pan. La utilización de la velocidad de la cinta transportadora, y no la temperatura, para determinar el color del tostado, permite el ajuste instantáneo del tiempo de tostado.

Las tostadoras Hatco están construidas con calidad para satisfacer las demandas del mercado, y proporcionan años de rendimiento sin problemas. Los resistencias de calentamiento tubulares con camisa metálica y en forma de serpentín están garantizados por dos años contra roturas y quemado.

El Tostador es fruto de importantes trabajos de investigación y ensayos de campo. Los materiales empleados han sido seleccionados por su gran resistencia, aspecto atractivo y rendimiento óptimo. Todas las unidades son sometidas a cuidadosas inspecciones y pruebas antes de proceder a su envío.

Horario de atención:

8:00 AM a 5:00 PM

Horario de la zona central (C.S.T)

(Horario de verano: junio a septiembre)

8:00 AM a 5:00 PM horario de la zona central, lunes a jueves

8:00 AM a 2:30 PM horario de la zona central, viernes)

Teléfono: (414) 671-6350

Correo

Electrónico: partsandservice@hatcocorp.com

Fax: (414) 671-3976 (Piezas y servicio)

Puede encontrar información adicional si visita nuestro sitio Web en www.hatcocorp.com.

Este manual contiene las instrucciones relativas a la instalación, las medidas de seguridad y el manejo del Tostador de Hatco. Hatco recomienda que se lean todas las instrucciones referentes a la instalación, el funcionamiento y la seguridad contenidas en este manual con anterioridad a la instalación o al manejo de la unidad.

La información de seguridad que aparece en este manual se identifica a través de los siguientes paneles con señales y palabras:

⚠ ADVERTENCIA

ADVERTENCIA indica una situación peligrosa que, en caso de no evitarse, puede resultar en lesiones graves e incluso la muerte.

⚠ ATENCIÓN

ATENCIÓN indica una situación peligrosa que, en caso de no evitarse, puede resultar en lesiones menores o moderadas.

AVISO

AVISO se usa para abordar prácticas que no están relacionadas con lesiones personales.

! Lea la siguiente importante información de seguridad para evitar lesiones personales o la muerte, y para evitar daños al equipo o la propiedad.

! ADVERTENCIA

PELIGRO DE DESCARGA ELÉCTRICA:

- Enchufe la unidad a un tomacorriente adecuadamente conectado a tierra del voltaje, tamaño y configuración del enchufe correctos. Si el enchufe y el tomacorriente no coinciden, comuníquese con un electricista calificado para determinar e instalar el voltaje y el tamaño de tomacorriente correctos.
- APAGUE el interruptor de alimentación, desconecte el cable de alimentación y espere a que la unidad se enfríe antes de realizar tareas de limpieza o mantenimiento o de intentar eliminar una obstrucción.
- La unidad no es a prueba de intemperie. Coloque la unidad en interiores donde la temperatura del aire ambiente sea de un mínimo de 21° C (70° F).
- No tire la unidad por el cable de alimentación.
- No use la unidad si el cable de alimentación está deshilachado o desgastado.
- No intente reparar ni reemplazar un cable de alimentación dañado. El cable deberá reemplazarlo Hatco, un agente de servicio Hatco autorizado o una persona con calificaciones similares.
- El mantenimiento de este aparato debe ser realizado únicamente por personal cualificado. Si el mantenimiento lo realiza una persona no cualificada, corre el riesgo de sufrir descargas eléctricas o quemaduras.
- No limpie con vapor ni use agua en exceso en la unidad.
- Esta unidad no tiene una construcción "a prueba de chorros". No use un pulverizador de limpieza a chorro para limpiar la unidad.
- Nunca inserte un cuchillo, tenedor u objeto similar en la cámara de tostado.
- No tome la tostadora introduciendo los dedos en las ranuras ni tomando los elementos calefactores.
- No limpie la unidad cuando esté energizada o caliente.
- No permita que se derramen líquidos dentro de la unidad.
- Use sólo repuestos Hatco originales cuando se necesite realizar mantenimiento. En caso de que no se usen repuestos Hatco originales se puede someter a los operadores del equipo a voltajes eléctricos peligrosos, dando como resultado descargas eléctricas o quemaduras. Los repuestos Hatco originales están especificados para operar en forma segura en los entornos en los que se usan. Los repuestos de mercado secundario o genéricos no cuentan con las características que les permiten operar en forma segura en los equipos Hatco.

RIESGO DE INCENDIO:

- Coloque la unidad a un mínimo de 25 mm de paredes y materiales que sean combustibles. Si no se mantienen las distancias seguras, podría provocarse combustión o decoloración.
- No coloque objetos sobre la tostadora. No coloque la tostadora cerca o debajo de cortinas o de otros materiales combustibles. Los elementos cerca o encima de la tostadora podrían incendiarse y provocar lesiones o daños en la tostadora.

! ADVERTENCIA

RIESGO DE EXPLOSIÓN: No almacene ni use gasolina u otros vapores o líquidos inflamables cerca de este u otros artefactos.

En caso de incendio, desconecte la tostadora de su fuente de energía en forma inmediata. Ello permite que la unidad se enfríe, lo que facilita y hace más segura la extinción del fuego.

Esta unidad no debe ser utilizada por niños o personas con capacidades físicas, sensoriales o mentales disminuidas. Asegúrese de los niños están supervisados y manténgalos alejados de la unidad.

No haga funcionar este aparato mediante un temporizador externo o un sistema por control remoto.

Sólo personal calificado debe realizar mantenimiento en esta unidad. El mantenimiento por parte de personal que no esté calificado puede causar descargas eléctricas o quemaduras.

Esta unidad no tiene piezas a las que el usuario pueda realizar mantenimiento. Si necesita realizar mantenimiento en esta unidad, comuníquese con un agente de servicio autorizado de Hatco o con el Departamento de Servicio de Hatco al 414-671-6350; fax 414-671-3976.

! ATENCIÓN

PELIGRO DE QUEMADURAS:

- Algunas superficies exteriores de la unidad se calientan. Tenga precaución al tocar estas áreas.
- No retire la bandeja para migas a fin de realizar limpieza hasta que la tostadora esté fría.

Coloque la unidad a la altura correcta del mesón en un área que sea cómoda para su uso. La ubicación debe estar nivelada para evitar que la unidad o su contenido caigan accidentalmente y ser lo suficientemente firme para soportar el peso de la unidad y el contenido.

Opere siempre la tostadora con la bandeja para migas instalada.

NO se recomienda el tostado de productos cubiertos o con mantequilla, como pan de ajo, sándwiches de queso y panecillos dulces. Los residuos reducirán el rendimiento de la tostadora y podrían encender su interior. El uso de la tostadora con los alimentos que aparecen anteriormente anularán la garantía.

AVISO

No coloque la unidad sobre el lado del panel de control o podrían producirse daños en la unidad.

Sumergir o llenar la unidad con agua dañará la unidad y anulará la garantía del producto.

Use sólo limpiadores no abrasivos. Los limpiadores abrasivos podrían rayar el acabado de la unidad, estropear su apariencia y hacerla susceptible a la acumulación de suciedad.

Esta unidad está diseñada sólo para uso comercial, NO para uso doméstico.

DESCRIPCIÓN DEL MODELO

E

Todos los Modelos

Todas las tostadoras eléctricas Toast-Max™ de cinta transportadora son rápidas, fiables y versátiles, y tuestan hasta 300 rebanadas de pan o panecillos por hora. La descarga delantera o la trasera permiten al operador colocar la tostadora Toast-Max en el lugar más conveniente.

Cada tostadora Toast-Max cuenta con resistencias duraderas tubulares con camisa metálica, en forma de serpentín, un motor permanentemente lubricado de la cinta transportadora y un interruptor selector de tostado de cuatro posiciones. Cada unidad se envía con patas ajustables de 102 mm (4 pulgadas), una rampa de alimentación de las tostadas, una bandeja removible para migas y un recipiente para recoger las tostadas.

Modelo TM-5

El modelo TM-5 permite tostar pan de hasta 38 mm (1-1/2 pulgadas) de grueso y 245 mm (9-5/8 de pulgada) de ancho. La capacidad es de hasta 180 rebanadas por hora.

Modelo TM-5H

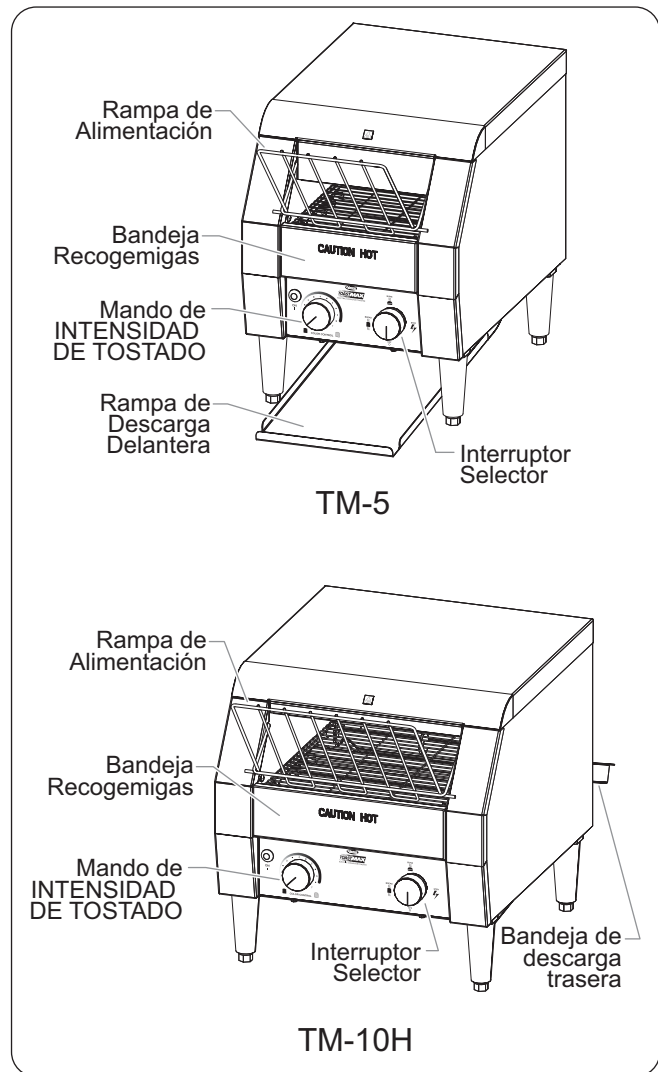
El modelo TM-5H permite tostar pan de hasta 64 mm (2-1/2 pulgadas) de grueso y 245 mm (9-5/8 de pulgada) de ancho. La capacidad es de hasta 180 rebanadas por hora.

Modelo TM-10

El modelo TM-10 permite tostar pan de hasta 38 mm (1-1/2 pulgadas) de grueso y 245 mm (9-5/8 de pulgada) de ancho. La capacidad es de hasta 300 rebanadas por hora.

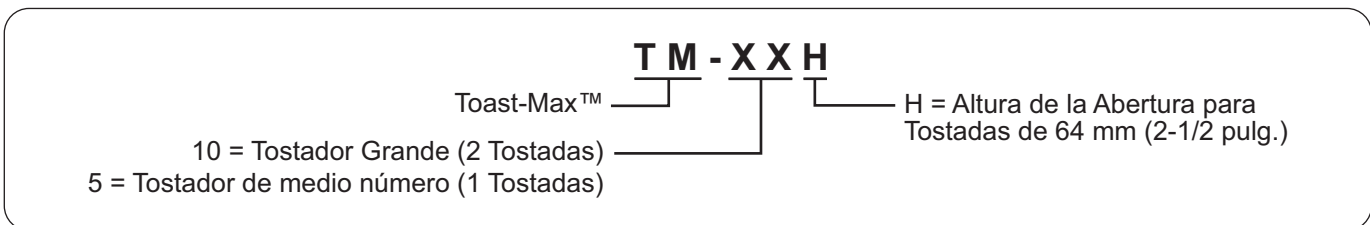
Modelo TM-10H

El modelo TM-10H permite tostar pan de hasta 64 mm (2-1/2 pulgadas) de grueso y 245 mm (9-5/8 de pulgada) de ancho. La capacidad es de hasta 300 rebanadas por hora.



Modelos TM-5 y TM-10H

DENOMINACIÓN DEL MODELO



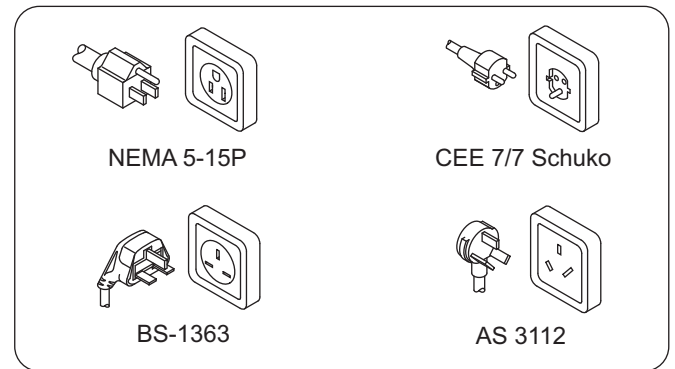
Configuraciones del Enchufe

Las unidades salen de fábrica con un cable eléctrico y un enchufe instalados. Los enchufes se suministran de acuerdo con las aplicaciones.

⚠ ADVERTENCIA

PELIGRO DE DESCARGA ELÉCTRICA: Enchufe la unidad a un tomacorriente adecuadamente conectado a tierra del voltaje, tamaño y configuración del enchufe correctos. Si el enchufe y el tomacorriente no coinciden, comuníquese con un electricista calificado para determinar e instalar el voltaje y el tamaño de tomacorriente correctos.

NOTA: La etiqueta de especificaciones está ubicada en un costado de la unidad. Consulte la etiqueta para ver el número de serie y verificar la información eléctrica de la unidad.



Configuraciones del Enchufe

NOTA: Hatco no proporciona el tomacorriente.

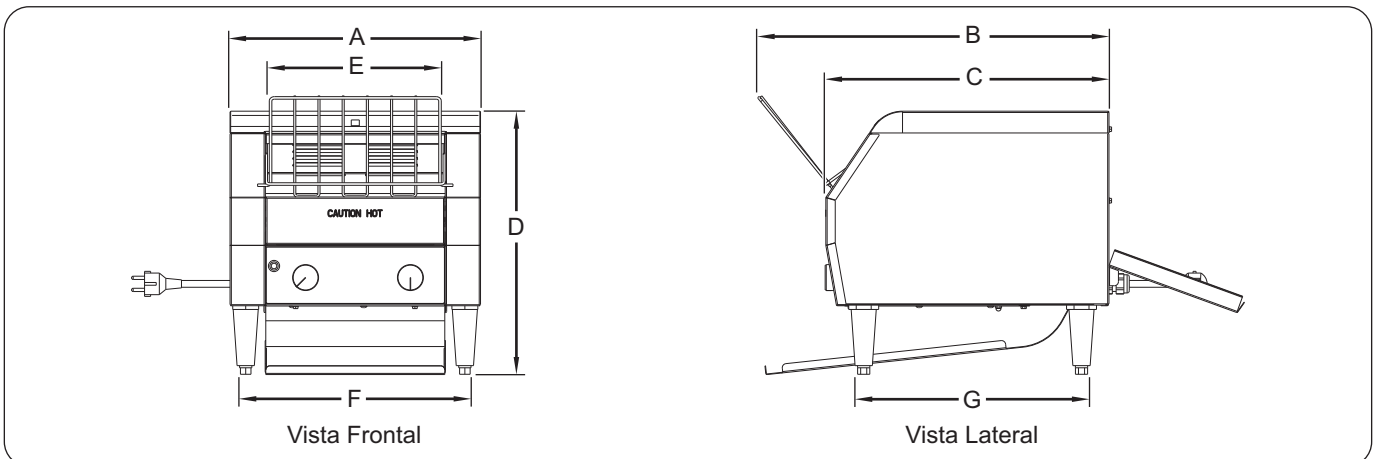
Cuadro de Clasificación Eléctrica

Modelo	Voltaje	Hertz	Vatios	Amperios	Configuraciones del Enchufe	Peso de Envío
TM-5	220–240 (CE)	50/60	1340–1595	6.1–6.6	CEE 7/7 Schuko, BS-1363, or AS 3112	16 kg (36 lbs.)
TM-5H	100	50/60	1340	13.4	NEMA 5-15	16 kg (36 lbs.)
	120	50/60	1340	11.2	NEMA 5-15	16 kg (36 lbs.)
	220–240 (CE)	50/60	1340–1595	6.1–6.6	CEE 7/7 Schuko, BS-1363, or AS 3112	16 kg (36 lbs.)
TM-10	220–240 (CE)	50/60	1940–2300	8.8–9.6	CEE 7/7 Schuko, BS-1363, or AS 3112	19 kg (41 lbs.)
TM-10H	120	50/60	1790	14.9	NEMA 5-15	19 kg (41 lbs.)
	220–240 (CE)	50/60	1940–2300	8.8–9.6	CEE 7/7 Schuko, BS-1363, or AS 3112	19 kg (41 lbs.)

Dimensiones

Modelo	Ancho (A)	Profundidad General (B)*	Profundidad de Unidad (C)	Altura (D)	Anchura de Cámara (E)	Ancho de las Patas (F)	Profundidad de las Patas (G)
TM-5 y TM-5H	290 mm (11-7/16")	523 mm (20-5/8")	419 mm (16-1/2")	387 mm (15-1/4")	186 mm (7-3/8")	260 mm (10-1/4")	336 mm (13-1/4")
TM-10 y TM-10H	368 mm (14-1/2")	520 mm (20-1/2")	419 mm (16-1/2")	387 mm (15-1/4")	264 mm (10-3/8")	338 mm (13-3/8")	336 mm (13-1/4")

* Agregue 195 mm (7-3/4 pulg.) a la profundidad total (B) si la unidad tiene una rampa de descarga trasera.



Dimensiones

Generalidades

Las tostadoras se envía con todas sus piezas montadas en fábrica. Se debe tener cuidado al desembalar la caja de embarque para evitar daños a la unidad y a los componentes que contiene.

⚠ ADVERTENCIA

PELIGRO DE DESCARGA ELÉCTRICA: La unidad no es a prueba de intemperie. Coloque la unidad en interiores donde la temperatura del aire ambiente sea de un mínimo de 21° C (70° F).

RIESGO DE EXPLOSIÓN: No almacene ni use gasolina u otros vapores o líquidos inflamables cerca de este u otros artefactos.

RIESGO DE INCENDIO:

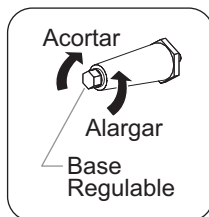
- Coloque la unidad a un mínimo de 25 mm de paredes y materiales que sean combustibles. Si no se mantienen las distancias seguras, podría provocarse combustión o decoloración.
- No coloque objetos sobre la tostadora. No coloque la tostadora cerca o debajo de cortinas o de otros materiales combustibles. Los elementos cerca o encima de la tostadora podrían incendiarse y provocar lesiones o daños en la tostadora.

1. Retire la unidad de la caja.

NOTA: A fin de evitar demoras para obtener la cobertura de garantía, complete el registro de la garantía en línea. Consulte la sección INFORMACIÓN IMPORTANTE PARA EL PROPIETARIO para obtener detalles.

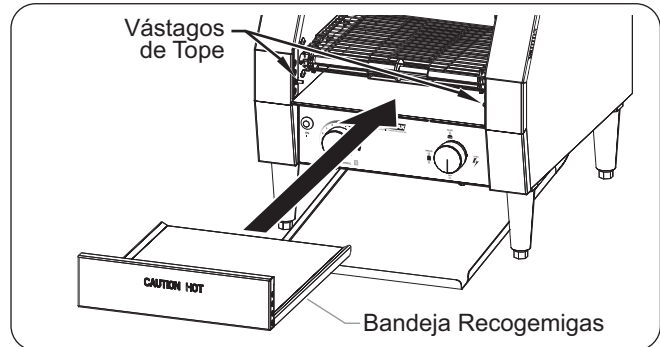
2. Quite la cinta y el material de embalaje de todas las superficies de la unidad.
3. Coloque la unidad en la ubicación que desea.
 - Sitúe la unidad en un área donde la temperatura ambiente sea constante y como mínimo de 21°C (70°F). Evite áreas en las que se puedan dar movimientos o corrientes de aire (p.ej., cerca de extractores/ventiladores y de conductos de aire acondicionado).
 - Asegúrese de que la unidad está a la altura correcta del mesón en un área cómoda para su uso.
 - Asegúrese de que la superficie del mesón esté a nivel y sea lo suficientemente firme para soportar el peso de la unidad y los alimentos.
 - Asegúrese de que todas las patas de la parte inferior de la unidad se ubiquen en forma segura sobre la superficie del mesón.

4. Si es necesario, gire el extremo ajustable en cada pata para nivelar la unidad. Utilice una llave de boca abierta de 16 mm (5/8 pulg.) para realizar los ajustes de nivelación.



5. Instale la bandeja recogemigas.
 - a. Ubique la bandeja recogemigas justo debajo de los vástagos de tope debajo de la cinta transportadora en el frente del tostador.
 - b. Deslice la bandeja recogemigas dentro del tostador hasta que el frente de la bandeja toque los vástagos de tope.

6. Instale la rampa de descarga delantera o la bandeja de descarga trasera en la parte trasera de la unidad. Vea el procedimiento "Instalación de la descarga delantera o trasera" en esta sección.



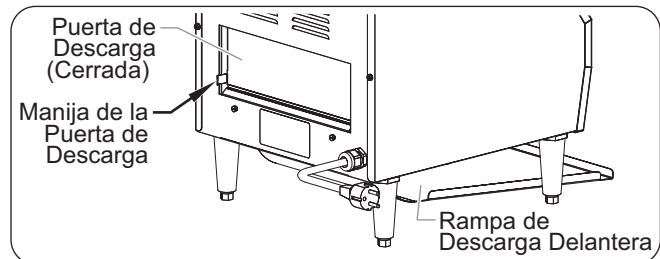
Instalación de la Bandeja Recogemigas

Instalación de la Descarga Delantera o Trasera

Las unidades Toast-Max se pueden configurar de tal manera que el producto salga por delante o por detrás de la unidad.

Descarga delantera:

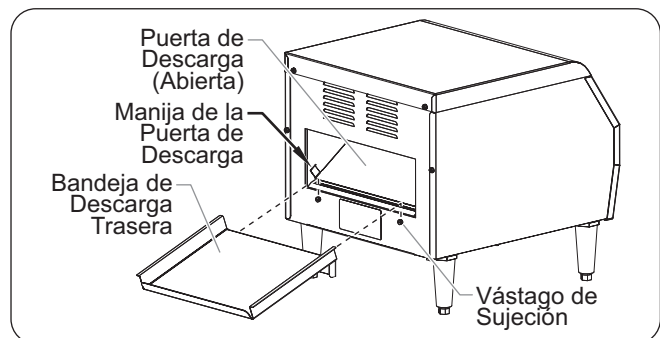
1. Deslice la rampa de descarga delantera debajo del tostador.
2. Inclíne el extremo curvo de la rampa ligeramente hacia arriba para ubicar el reborde de la rampa sobre los vástagos traseros (uno de cada lado).
3. Cierre la puerta de descarga. Para hacerlo, tire de ella hasta que esté en la posición cerrada.



Descarga Delantera (Vista Trasera)

Descarga trasera:

1. Quite la rampa de descarga delantera si está instalada.
2. Alinee las muescas de la bandeja de descarga trasera con los dos vástagos de sujeción y bájela hasta colocarla en su lugar.
3. Abra la puerta de descarga. Para hacerlo, empújela hasta que quede sobre los vástagos dentro de la unidad.



Descarga Trasera (Vista Trasera)

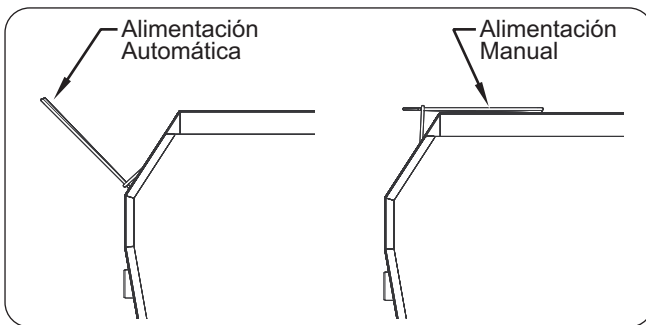
Generalidades

Las tostadoras eléctricas Toast-Max™ de cinta transportadora cuenta con un diseño pensado para facilitar su uso. Realice el siguiente procedimiento para operarla.

⚠ ADVERTENCIA

Lea todos los mensajes de seguridad de la sección Información de seguridad importante antes de operar el equipo.

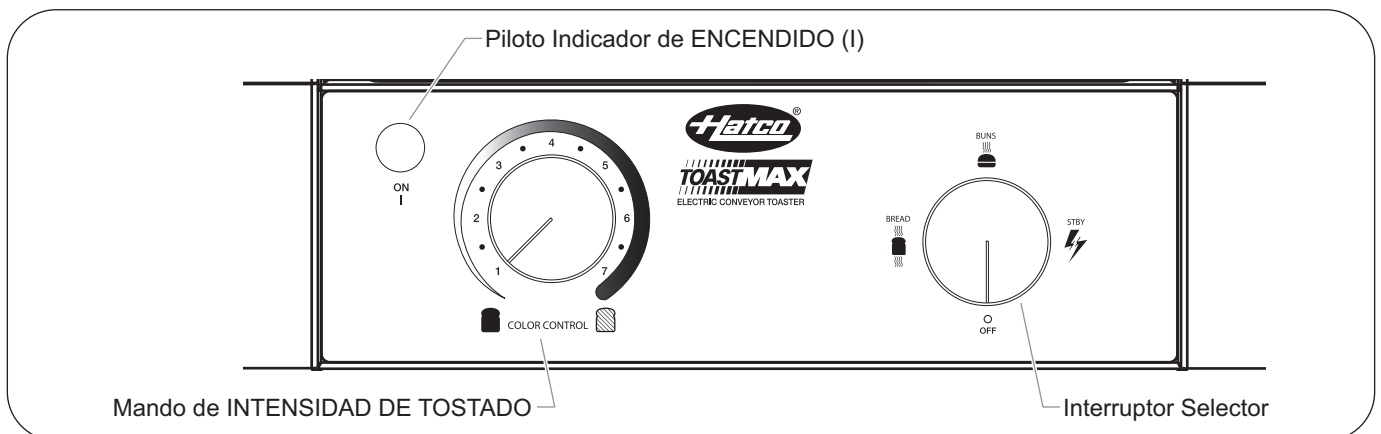
1. Enchufe la unidad en un tomacorriente eléctrico adecuadamente conectado a tierra, del voltaje, tamaño y configuración del enchufe correctos. Consulte los detalles en la sección ESPECIFICACIONES.
2. Mueva la rampa de alimentación a la posición deseada.
 - Para usar la alimentación automática, mueva la rampa de alimentación a la posición de alimentación automática. Para introducir los panes en el tostador, colóquelos en la rampa de alimentación y suéltelos.
 - Para usar la alimentación manual, gire la rampa de alimentación hasta que quede sobre la parte superior de la unidad. Los panes se cargan manualmente al colocarlos directamente en la cinta transportadora.



Rampa de Alimentación de las Tostadas

3. Mueva el interruptor selector al ajuste de tostado que desee.
 - Para tostar ambos lados del pan, coloque el interruptor selector en la posición AMBOS LADOS.
 - Para tostar únicamente el lado superior del pan, coloque el interruptor selector en la posición UN LADO.

NOTA: El piloto indicador de ENCENDIDO (I) se encenderá cuando se haya seleccionado un modo de tostado.



Panel de control

4. Coloque el Control de color en la posición más clara mientras la unidad se calienta.

NOTA: Permita un período de calentamiento de aproximadamente 15 a 20 minutos.

⚠ ATENCIÓN

PELIGRO DE QUEMADURAS: Algunas superficies exteriores de la unidad se calientan. Tenga precaución al tocar estas áreas.

5. Después del período de calentamiento, coloque el Control de Color en la posición media y tueste dos rebanadas de pan y luego reajuste el Control de color en la posición deseada.

NOTA: Para tostar pan húmedo como muffins ingleses, pan de centeno o de trigo integral, desacelere la correa transportadora girando la perilla de Control de color a un ajuste más oscuro (hacia la derecha).

Todas las tostadoras serie TM se pueden colocar en modo de Ahorro de Energía colocando el interruptor selector en la posición de Stand-by (pausa). La tostadora opera al 25 % de la potencia en el modo de Ahorro de Energía.

NOTA: Para colocar la tostadora otra vez en operación completa coloque el interruptor selector en la posición Pan o Panecillo. La unidad estará otra vez lista para su funcionamiento, en solo 5 minutos.

⚠ ATENCIÓN

Opero siempre la tostadora con la bandeja para migas instalada.

NO se recomienda el tostado de productos cubiertos o con mantequilla, como pan de ajo, sándwiches de queso y panecillos dulces. Los residuos reducirán el rendimiento de la tostadora y podrían encender su interior. El uso de la tostadora con los alimentos que aparecen anteriormente anularán la garantía.

Generalidades

El diseño del Tostador Automático garantiza una resistencia y un rendimiento óptimos con un mantenimiento mínimo.

ADVERTENCIA

PELIGRO DE DESCARGA ELÉCTRICA:

- APAGUE el interruptor de alimentación, desconecte el cable de alimentación y espere a que la unidad se enfríe antes de realizar tareas de limpieza o mantenimiento o de intentar eliminar una obstrucción.
- NO sumerja ni sature la unidad con agua. La unidad no es impermeable. No opere la unidad si ésta se sumergió o saturó con agua.
- No limpie con vapor ni use agua en exceso en la unidad.
- Esta unidad no tiene una construcción “a prueba de chorros”. No use un pulverizador de limpieza a chorro para limpiar la unidad.
- No limpie la unidad cuando esté energizada o caliente.
- No permita que se derramen líquidos dentro de la unidad.
- Use sólo repuestos Hatco originales cuando se necesite realizar mantenimiento. En caso de que no se usen repuestos Hatco originales se puede someter a los operadores del equipo a voltajes eléctricos peligrosos, dando como resultado descargas eléctricas o quemaduras. Los repuestos Hatco originales están especificados para operar en forma segura en los entornos en los que se usan. Los repuestos de mercado secundario o genéricos no cuentan con las características que les permiten operar en forma segura en los equipos Hatco.

Esta unidad no tiene piezas a las que el usuario pueda realizar mantenimiento. Si necesita realizar mantenimiento en esta unidad, comuníquese con un agente de servicio autorizado de Hatco o con el Departamento de Servicio de Hatco al 414-671-6350; fax 414-671-3976.

Limpieza

Para conservar el acabado de la tostadora, se recomienda limpiar diariamente sus superficies con un paño húmedo.

AVISO

Use sólo limpiadores no abrasivos. Los limpiadores abrasivos podrían rayar el acabado de la unidad, estropear su apariencia y hacerla susceptible a la acumulación de suciedad.

Sumergir o la saturación de la unidad con agua dañará la unidad y anulará la garantía de la unidad.

1. Retire la bandeja para migas y vacíela.

ATENCIÓN

No quite la bandeja de la miga para la limpieza hasta que la tostadora es fría.

2. Lave la bandeja para migas con agua tibia y un detergente suave, y enjuague con agua.
 - Permita que la bandeja para migas se seque al aire antes de volver a colocarla en la tostadora.
3. Quite y lave la rampa de descarga delantera o la bandeja de descarga trasera con un detergente suave. Enjuague con agua.
 - Espere a que la rampa de descarga delantera o la bandeja de descarga trasera se sequen al aire antes de volverlas a colocar.
4. Limpie la superficie exterior de la tostadora con un paño húmedo. **AVISO: Use sólo limpiadores no abrasivos.**
5. Quite y limpie la rampa de alimentación de tostadas.
 - a. Presione las dos patillas de alambre hacia adentro y levante la rampa de alimentación de tostadas para quitarla.
 - b. Limpie la rampa con un paño suave y húmedo o sumerja la rampa en una solución suave de 1 taza (227 ml) de amoníaco en 1 galón (3,785 l) de agua.
 - c. Alinee las patillas de alambre con los orificios del tostador para volver a colocar la rampa.

NOTA: El motor de los engranajes de la cinta transportadora y el sistema de la cinta transportadora están lubricados en forma permanente y no requieren lubricación.

⚠ ADVERTENCIA

Sólo personal calificado debe realizar mantenimiento a la unidad. El mantenimiento realizado por personal no calificado puede causar descargas eléctricas o quemaduras.

⚠ ADVERTENCIA

PELIGRO DE DESCARGA ELÉCTRICA: APAGUE el interruptor de alimentación, desconecte el cable de alimentación y espere a que la unidad se enfríe antes de realizar tareas de limpieza o mantenimiento o de intentar eliminar una obstrucción.

Síntoma	Causa Probable	Acción Correctiva
La tostada es demasiado clara.	La perilla del temporizador de control de color (COLOR CONTROL) se giró a una configuración leve.	Gire la perilla del temporizador de control de color (COLOR CONTROL) a una configuración más tostada.
	La unidad no está caliente. La unidad requiere tiempo para calentarse cuando se la enciende.	Espere aproximadamente 15 a 20 minutos a que la unidad se caliente.
	El voltaje de suministro a la unidad es bajo.	Verifique que el voltaje de suministro a la tostadora coincida con las especificaciones de la unidad.
La tostada es demasiado oscura.	La perilla del temporizador de control de color (COLOR CONTROL) se giró a una configuración más tostada.	Gire la perilla del temporizador de control de color (COLOR CONTROL) a una configuración menos tostada.
	El voltaje de suministro a la unidad es alto.	Verifique que el voltaje de suministro a la tostadora coincida con las especificaciones de la unidad.
La unidad tuesta únicamente de un lado.	El interruptor selector está en la posición UN LADO (tostado de un solo lado).	Coloque el interruptor selector en la posición DOS LADOS (tostado de ambos lados).
	Elemento calefactor defectuoso.	Si las resistencias no se encienden, póngase en contacto con un Centro de Servicio Autorizado o con Hatco para solicitar asistencia.
La tostadora dispara el disyuntor o el GFCI.	El disyuntor no tiene el tamaño apropiado para la tostadora.	Revise el disyuntor para verificar que sea del tamaño correcto.
	Defecto de cableado en el interior de la tostadora	Comuníquese con el agente de servicio autorizado o con Hatco para obtener ayuda.

1. GARANTÍA DEL PRODUCTO

Hatco garantiza que los productos que fabrica estarán libres de defectos en los materiales, bajo condiciones normales de uso y servicio, durante un período de un (1) año a partir de la fecha de compra cuando se instalan y reciben mantenimiento de acuerdo con las instrucciones por escrito de Hatco, o por 18 meses a partir de su envío por Hatco. El comprador debe establecer la fecha de compra del producto registrando el producto con Hatco o por otros medios que Hatco considere satisfactorios a su discreción exclusiva.

Hatco garantiza que los siguientes componentes del producto están libres de defectos en materiales a partir de la fecha de compra (sujetos a las condiciones precedentes) durante los períodos de tiempo y las condiciones que figuran a continuación:

a) Garantía de Dos (2) Años para las Piezas:

- Componentes de la Tostadora de Correa Transportadora (recubiertos de metal)
- Resistencias de los Cajones Térmicos (recubiertos de metal)
- Cajones Térmicos, rodillos del cajón y piezas deslizantes
- Elementos calentadores de banda (recubiertos de metal)
- Resistencias de vitrinas expositoras (calor por aire recubierto de metal)
- Resistencias de vitrinas mantenedoras (calor por aire recubierto de metal)
- Elementos de embalse acalorados — Series HWB (recubiertos de metal)

b) Garantía de Un (1) Año ADEMÁS DE una Garantía de Cuatro (4) Años para las Piezas cuyas condiciones dependen de un prorrateo que Hatco explicará a petición del Comprador:

- Depósitos 3DS y FR

c) Garantía de Diez (10) Años para las Piezas:

- Calentadores de agua eléctricos de refuerzo
- Calentadores de agua a gas de refuerzo

d) Garantía de Noventa (90) Días para las Piezas:

- Piezas de Repuesto

LAS GARANTÍAS ANTERIORES SON EXCLUSIVAS Y SUSTITUYEN A CUALQUIER OTRA GARANTÍA, EXPRESA O IMPLÍCITA, INCLUYENDO PERO SIN LIMITARSE A CUALQUIER GARANTÍA IMPLÍCITA DE COMERCIABILIDAD O ADECUACIÓN PARA UN FIN PARTICULAR O PATENTE U OTRA INFRACCIÓN DEL DERECHO DE PROPIEDAD INTELECTUAL. Sin limitar la generalidad de lo anterior, TALES GARANTÍAS NO CUBREN: Bombillas incandescentes revestidas, bombillas fluorescentes, bombillas para lámparas de calor, bombillas halógenas revestidas, bombillas halógenas para lámparas de calor, bombillas de xenón, tubos de LED, componentes de vidrio y fusibles; mal funcionamiento del Producto en los calentadores de agua, en los intercambiadores de calor de tubos aleateados o en cualquier otro equipo de calefacción de agua causado por acumulación de cal, acumulación de sedimentos, productos químicos o congelación; o por el uso indebido, manipulación, aplicación indebida, instalación deficiente o suministro de tensión eléctrica inadecuado al Producto.

2. LIMITACIÓN DE REMEDIOS Y DAÑOS

La responsabilidad de Hatco y los derechos del Comprador descritos a continuación se limitarán exclusivamente al reemplazo de la pieza o del Producto empleando, a discreción de Hatco, piezas nuevas o restauradas o un Producto nuevo o restaurado por Hatco o uno de sus centros de servicio autorizados siempre que la reclamación se haya efectuado dentro de los plazos de garantía mencionados anteriormente. Hatco se reserva el derecho a aceptar o rechazar de forma total o parcial cualquier reclamación efectuada. A efectos de la presente Garantía Limitada, se entenderá por "restaurado/a" la pieza o el Producto que haya recuperado sus especificaciones originales tras haber sido reparado/a por Hatco o por uno de sus centros de servicio autorizados. Hatco no aceptará la devolución de ningún producto sin la previa aprobación de Hatco por escrito, y en todas las devoluciones aprobadas el comprador correrá con los gastos. HATCO NO SERÁ RESPONSABLE, BAJO NINGUNA CIRCUNSTANCIA, DE DAÑOS INDIRECTOS O INCIDENTALES, INCLUYENDO PERO SIN LIMITARSE A COSTOS DE MANO DE OBRA O PÉRDIDA DE INGRESOS QUE RESULTEN DEL USO O DE LA INCAPACIDAD DE USAR EL PRODUCTO O DE QUE EL PRODUCTO SE INCORPORA A OTRO PRODUCTO O MERCANCÍA O SEA UN COMPONENTE DE DICHO PRODUCTO.

INFORMACIÓN DEL SERVICIO DE GARANTÍA

El periodo de garantía de los tostadores de la serie Toast-Max™ de Hatco es de un año a partir de la fecha de compra o de dieciocho meses a partir de la fecha de envío, lo que tenga lugar primero.

Si tiene un problema con un tostador Toast-Max durante la vigencia de la garantía, siga los pasos descritos a continuación:

Diríjase a su distribuidor local de Hatco

Cuando se dirija al distribuidor de Hatco para solicitar asistencia, debe proporcionar al distribuidor la siguiente información para garantizar el procesamiento adecuado de su reclamación:

- Modelo de la Unidad
- Número de Serie (situado en un costado de la unidad)
- Problema Específico con la Tostadora
- Fecha de Compra
- Nombre de su Negocio
- Dirección de Envío
- Nombre de Contacto y Número de Teléfono

El distribuidor de Hatco llevará a cabo las siguientes acciones:

- Proporcionar las piezas de repuesto necesarias
- Enviar a Hatco la reclamación de la garantía para su procesamiento

Problemas no relacionados con la garantía

Si tiene un problema no relacionado con la garantía y que requiere asistencia, póngase en contacto con el Centro de Servicio Autorizado por Hatco más cercano. Para localizar el Centro de Servicio más próximo:

- Visite el sitio web de Hatco: www.hatcocorp.com, seleccione el menú desplegable "Recursos" (Resources) y haga clic en "Localizar un Centro de Servicio/Distribuidor" (Find Service Agent/Distributor)
- Llame al número de teléfono del Servicio de Atención al Cliente de Hatco: 414-671-6350
- Mande un e-mail al Servicio de Atención al Cliente de Hatco a la siguiente dirección: partsandservice@hatcocorp.com

Informations Importantes pour le Propriétaire	29	Installation	33
Introduction	29	Généralités.....	33
Consignes de Sécurité Importantes	30	Installation du Système de Décharge Avant ou Arrière.....	33
Description du Modèle	31	Mode d'emploi	34
Tous Les Modèles.....	31	Généralités.....	34
Modèles TM-5 et TM-5H.....	31	Maintenance	35
Modèles TM-10 et TM-10H.....	31	Généralités.....	35
Désignation du Modèle	31	Nettoyage.....	35
Caractéristiques Techniques	32	Guide de Dépannage	36
Configuration des Fiches.....	32	Garantie Limitée Internationale	37
Tableau des Caractéristiques électriques.....	32	Informations de Service	37
Dimensions.....	32		

INFORMATIONS IMPORTANTES POUR LE PROPRIÉTAIRE

Noter le numéro de modèle, le numéro de série (indiqués sur le côté de l'appareil), le voltage et la date d'achat de votre appareil ci-dessous. Veuillez avoir cette information à portée de la main si vous appelez Hatco pour assistance.

Modèle No. _____

Numéro de série _____

Voltage _____

Date d'achat _____

Enregistrez votre appareil!

Remplissez la garantie en ligne pour éviter les retards pour faire jouer la garantie. Accédez au site Web Hatco www.hatcocorp.com, sélectionnez le menu déroulant Parts & Service, puis cliquez sur Warranty Registration.

Horaires ouvrables :

8h00 à 17h00

Heure du Centre des États-Unis (CST)

(Horaires d'été : juin à septembre—

8h00 à 17h00 CST du lundi au jeudi

8h00 à 14h30 CST le vendredi)

Téléphone : (+1 414) 671-6350

Courriel: partsandservice@hatcocorp.com

Télécopieur : (+1 414) 671-3976 (Pièces et Service après-vente)

Des renseignements supplémentaires sont disponibles sur notre site Web à www.hatcocorp.com.

INTRODUCTION

Le grille-pain électrique à convoyeur Toast-Max™ de Hatco a été spécialement conçu pour accélérer la procédure de coloration du pain. Les produits à griller traversent une chambre chauffée pour une coloration rapide et complète. La teneur en eau et en sucre, de même que l'épaisseur du pain influent sur la coloration du produit. L'utilisation de la vitesse du convoyeur, et non pas de la température, pour déterminer la coloration permet le réglage instantané de la durée passée sous le gril.

Les grille-pains Hatco sont des produits de qualité conforme aux exigences des opérations de restauration qui fourniront des années de service sans problème. Les éléments chauffants tubulaires gainés de métal en serpentins sont garantis contre la casse et le grillage pendant deux ans.

Votre grille-pain à convoyeur Hatco Toast-Max est le produit de recherches intensives et de tests sur le terrain. Les matériaux utilisés ont été sélectionnés pour une durabilité maximale, une apparence attractive et des performances optimales. Chaque unité est soigneusement inspectée et testée avant expédition.

Ce manuel fournit les instructions d'installation, les consignes de sécurité et le mode d'emploi du grille-pain électrique à convoyeur de Hatco. Hatco vous recommande de lire l'ensemble des instructions d'installation et d'utilisation et toutes les consignes de sécurité dans ce manuel avant d'installer et d'utiliser l'appareil.

Les consignes de sécurité qui apparaissent dans ce manuel sont identifiées par les mots indicateurs suivants :

⚠ AVERTISSEMENT

AVERTISSEMENT indique une situation dangereuse qui, si elle n'est pas évitée, peut provoquer la mort ou des blessures graves.

⚠ ATTENTION

ATTENTION indique une situation dangereuse qui, si elle n'est pas évitée, peut provoquer des blessures légères ou moyennes.

AVIS

AVIS est utilisé pour des questions sans rapport avec des blessures corporelles.

 Lisez l'information de sécurité importante suivante avant d'utiliser cet équipement pour éviter des dommages ou la mort sérieuse et pour éviter d'endommager l'équipement ou la propriété.

AVERTISSEMENT

DANGER DE DÉCHARGE ÉLECTRIQUE :

- Brancher l'appareil sur une prise de courant avec terre de tension, de format et de configuration des broches corrects. Si la fiche et la prise ne se correspondent pas, s'adresser à un électricien qualifié pour déterminer et installer une prise de courant de format et de tension corrects.
- Placez l'interrupteur sur ARRÊT, débranchez le câble d'alimentation et laissez l'unité refroidir avant de la nettoyer, de la paramétrer ou de l'entretenir, ou avant de tenter d'éliminer un bouchon.
- L'appareil n'est pas à l'épreuve des intempéries. Placer l'appareil à l'intérieur à une température ambiante de 21°C minimum.
- Ne pas tirer l'appareil par son cordon électrique.
- Ne pas utiliser l'appareil si le cordon est endommagé ou usé.
- Ne pas tenter de réparer ni de changer un cordon électrique endommagé. Ce cordon doit être changé par Hatco, par un réparateur Hatco agréé ou par une personne de qualifications comparables.
- Cet appareil doit uniquement être réparé par un personnel qualifié. Toute réparation par un personnel non qualifié peut entraîner une électrocution et des brûlures.
- Ne pas nettoyer à la vapeur ni utiliser trop d'eau sur l'appareil.
- Cet appareil n'est pas étanche aux jets. Ne pas utiliser de jet sous pression pour nettoyer l'appareil.
- Ne jamais introduire de couteau, fourchette ou autre objet semblable dans les fentes du grille-pain.
- Ne pas soulever le grille-pain en plaçant les doigts dans les fentes et en saisissant les éléments chauffants.
- Ne pas nettoyer l'appareil lorsqu'il est sous tension ou chaud.
- Ne pas renverser de liquide dans l'appareil.
- Pour les réparations, utiliser exclusivement des pièces de rechange Hatco d'origine. L'utilisation de pièces autres que des pièces Hatco d'origine peut exposer l'utilisateur de l'appareil à des tensions électriques dangereuses et à un risque de décharge électrique ou de brûlure. Les pièces de rechange Hatco d'origine sont conçues pour fonctionner sans danger dans les environnements dans lesquels elles sont utilisées. Certaines pièces de rechange génériques ou de second marché ne présentent pas les caractéristiques leur permettant de fonctionner sans danger dans la matériel Hatco.

DANGER D'INCENDIE :

- Placer l'appareil à un minimum de 25 mm des parois et matières combustibles. Si une distance sûre n'est pas maintenue, la chaleur peut provoquer une combustion ou une altération de couleur.
- Ne rien placer sur le dessus du grille-pain. Ne pas placer le grille-pain à proximité ou en dessous de rideaux ou autres matières combustibles. Des articles proches ou sur le dessus du grille-pain peuvent s'enflammer et provoquer des blessures corporelles et des dommages du grille-pain.

AVERTISSEMENT

DANGER D'EXPLOSION : Ne pas entreposer ni utiliser d'essence ou autres gaz ou liquides inflammables à proximité de cet appareil ou d'autres.

En cas d'incendie, débrancher immédiatement le grille-pain de sa source d'électricité. Ceci permet à l'appareil de refroidir et le feu peut être éteint de façon plus facile et plus sûre.

Cet appareil ne doit pas être utilisé par des enfants ou des personnes avec des capacités physiques, sensorielles ou mentales diminuées. Assurez-vous que les enfants sont bien surveillés et tenez-les à l'écart de l'appareil.

N'utilisez pas cet appareil avec une minuterie externe ou un système de télécommande.

La réparation de cet appareil doit être confiée exclusivement à du personnel qualifié. Les réparations par des personnes non qualifiées peuvent provoquer des décharges électriques et des brûlures.

Cet appareil ne contient aucune pièce réparable par l'utilisateur. Si cet appareil doit être réparé, contacter un réparateur Hatco agréé ou le Service après-vente Hatco au +1 414-671-6350 ; télécopieur +1 414-671-3976.

ATTENTION

DANGER DE BRÛLURE :

- Certaines surfaces extérieures de l'appareil deviennent chaudes. Toucher ces zones de l'appareil avec précaution.
- Ne pas enlever le bac à miettes pour le nettoyer tant que le grille-pain n'est pas froid.

Placer l'appareil sur un plan de travail de hauteur correcte à un endroit qui convient pour son utilisation. Le support doit être de niveau pour éviter toute chute accidentelle du grille-pain ou de son contenu et suffisamment solide pour résister au poids de l'appareil et de son contenu.

Toujours utiliser le grille-pain avec le bac à miettes en place.

Il n'est PAS conseillé de griller des produits glacés ou beurrés tels que pain à l'ail, sandwichs au fromage et viennoiseries glacées. Les résidus réduisent les performances du grille-pain et peuvent s'enflammer à l'intérieur de l'appareil. L'utilisation du grille-pain avec les produits alimentaires indiqués ci-dessus a pour effet d'annuler la garantie.

AVIS

Ne pas poser l'appareil sur le côté du panneau de commande sous peine de l'endommager.

L'immersion ou la saturation de l'appareil avec de l'eau endommagera l'appareil et annulera la garantie du produit.

Utiliser uniquement des produits nettoyants non abrasifs. Les produits nettoyants abrasifs peuvent rayer la finition de l'appareil, ce qui altère son apparence et le rend plus susceptible d'accumuler la saleté.

Cet appareil est conçu exclusivement pour une utilisation commerciale — PAS pour un emploi domestique.

Tous les modèles

Tous les grille-pains électriques à convoyeur Toast-Max™ sont rapides, fiables et polyvalents, grillant jusqu'à 300 petits pains ou viennoiseries à l'heure. La décharge avant ou arrière permet à l'opérateur de placer le grille-pain Toast-Max à l'endroit le plus pratique.

Chaque grille-pains Toast-Max a des éléments chauffant gainés de métal en serpentin durables, un moteur de convoyeur lubrifié en permanence et un sélecteur de gril à quatre positions. Chaque modèle est expédié avec des pieds réglables de 102 mm (4"), une rampe d'entrée des pains, un bac à miettes amovible et un bac de récupération de pains grillés.

Modèle TM-5

Le modèle TM-5 permet de faire griller du pain de 38 mm (1-1/2") d'épaisseur et 245 mm (9-5/8") de largeur maximum. Son rendement est de 180 tranches à l'heure.

Modèle TM-5H

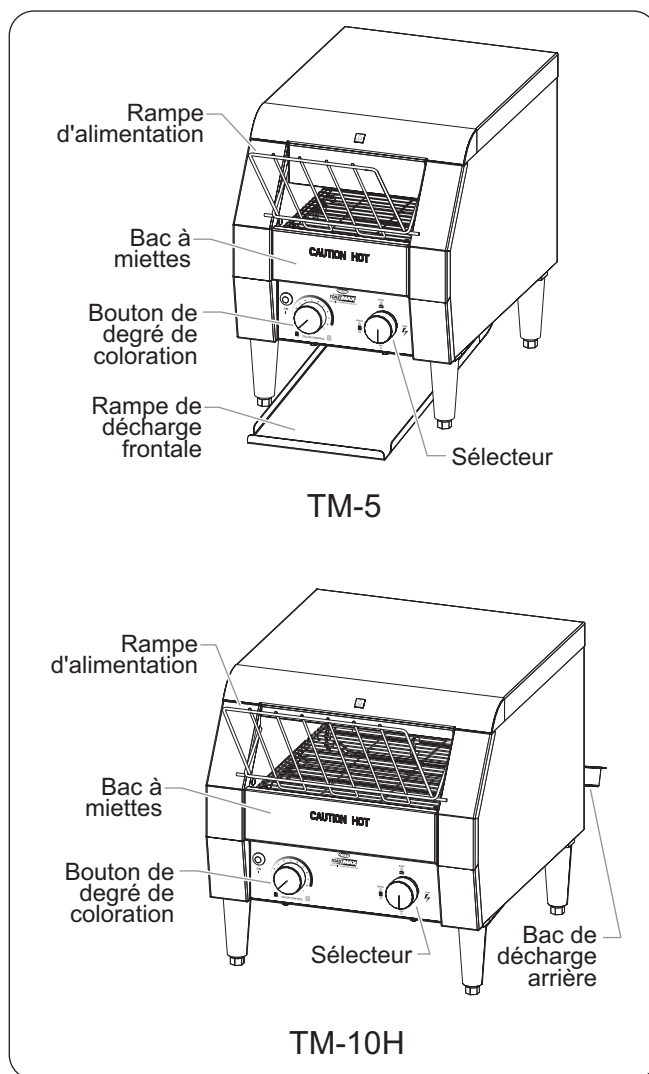
Le modèle TM-5H permet de faire griller du pain de 64 mm (2-1/2") d'épaisseur et 245 mm (9-5/8") de largeur maximum. Son rendement est de 180 tranches à l'heure.

Modèle TM-10

Le modèle TM-10 permet de faire griller du pain de 38 mm (1-1/2") d'épaisseur et 245 mm (9-5/8") de largeur maximum. Son rendement est de 300 tranches à l'heure.

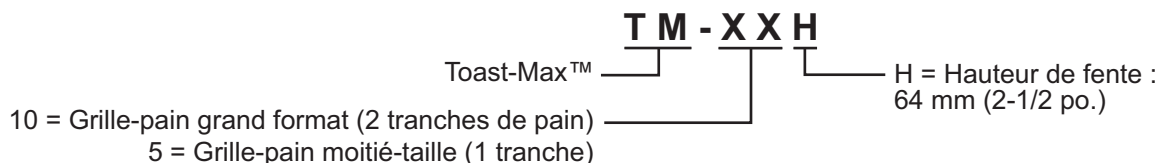
Modèle TM-10H

Le modèle TM-10H permet de faire griller du pain de 64 mm (2-1/2") d'épaisseur et 245 mm (9-5/8") de largeur maximum. Son rendement est de 300 tranches à l'heure.



Modèles TM-5 et TM-10H

DÉSIGNATION DU MODÈLE



CARACTÉRISTIQUES TECHNIQUES

F

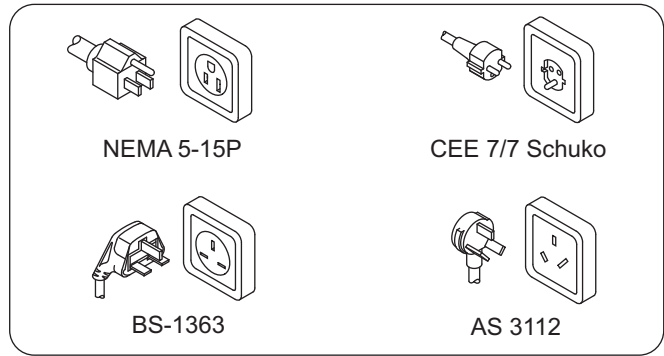
Configuration des fiches

Les appareils sont livrés avec un cordon électrique avec fiche. Différentes fiches sont fournies selon les applications.

⚠ AVERTISSEMENT

DANGER DE DÉCHARGE ÉLECTRIQUE: Brancher l'appareil sur une prise de courant avec terre de tension, de format et de configuration des broches corrects. Si la fiche et la prise ne se correspondent pas, s'adresser à un électricien qualifié pour déterminer et installer une prise de courant de format et de tension corrects.

NOTA: L'étiquette de spécification est située sur le côté de l'appareil. Veuillez vous reporter à l'étiquette pour connaître le numéro de série et les données électriques de l'appareil.



Configuration des fiches

NOTA: Prise non fournie par Hatco.

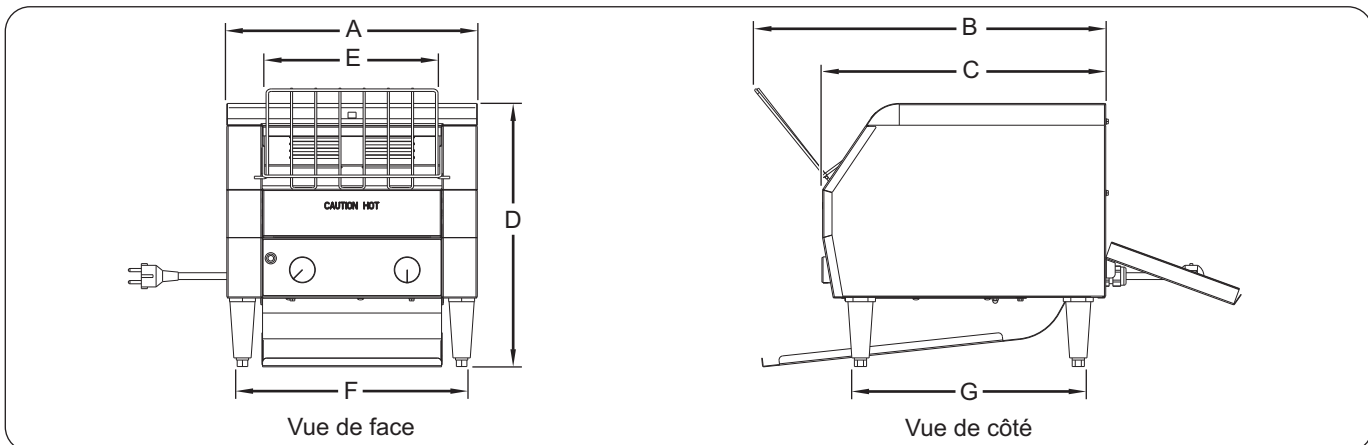
Tableau des valeurs nominales électriques

Modèle	Tension	Hertz	Puissance	Intensité	Configuration de Fiches	Poids d'embarquement
TM-5	220-240 (CE)	50/60	1340-1595	6.1-6.6	CEE 7/7 Schuko, BS-1363, or AS 3112	16 kg (36 lbs.)
TM-5H	100	50/60	1340	13.4	NEMA 5-15	16 kg (36 lbs.)
	120	50/60	1340	11.2	NEMA 5-15	16 kg (36 lbs.)
	220-240 (CE)	50/60	1340-1595	6.1-6.6	CEE 7/7 Schuko, BS-1363, or AS 3112	16 kg (36 lbs.)
TM-10	220-240 (CE)	50/60	1940-2300	8.8-9.6	CEE 7/7 Schuko, BS-1363, or AS 3112	19 kg (41 lbs.)
TM-10H	120	50/60	1790	14.9	NEMA 5-15	19 kg (41 lbs.)
	220-240 (CE)	50/60	1940-2300	8.8-9.6	CEE 7/7 Schuko, BS-1363, or AS 3112	19 kg (41 lbs.)

Dimensions

Modèle	Largeur (A)	Profondeur Générale (B)*	Profondeur d'unité (C)	Hauteur (D)	Chambre Largeur (E)	Empattement Largeur (F)	Empattement Profondeur (G)
TM-5 and TM-5H	290 mm (11-7/16")	523 mm (20-5/8")	419 mm (16-1/2")	387 mm (15-1/4")	186 mm (7-3/8")	260 mm (10-1/4")	336 mm (13-1/4")
TM-10 and TM-10H	368 mm (14-1/2")	520 mm (20-1/2")	419 mm (16-1/2")	387 mm (15-1/4")	264 mm (10-3/8")	338 mm (13-3/8")	336 mm (13-1/4")

*Ajoutez 195 mm (7-3/4 po.) à la Profondeur Totale (B) des unités équipées d'une rampe de décharge arrière.



Dimensions

Généralités

Le grille-pains électriques à convoyeur Toast-Max™ est livré avec tous les composants préassemblés. Faire attention lors du déballage pour éviter d'endommager l'appareil et ses composants.

AVERTISSEMENT

DANGER DE DÉCHARGE ÉLECTRIQUE: L'appareil n'est pas à l'épreuve des intempéries. Placer l'appareil à l'intérieur à une température ambiante de 21°C minimum.

DANGER D'EXPLOSION: Ne pas entreposer ni utiliser d'essence ou autres gaz ou liquides inflammables à proximité de cet appareil ou d'autres.

DANGER D'INCENDIE:

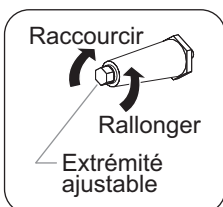
- **Danger d'incendie:** Placer l'appareil à un minimum de 25 mm des parois et matières combustibles. Si une distance sûre n'est pas maintenue, la chaleur peut provoquer une combustion ou une altération de couleur.
- **Ne rien placer sur le dessus du grille-pain. Ne pas placer le grille-pain à proximité ou en dessous de rideaux ou autres matières combustibles. Des articles proches ou sur le dessus du grille-pain peuvent s'enflammer et provoquer des blessures corporelles et des dommages du grille-pain.**

1. Retirer l'appareil de sa boîte.

NOTA: Pour éviter des retards dans l'obtention de la couverture de la garantie, complétez l'enregistrement en ligne de votre garantie. Lisez la section INFORMATIONS IMPORTANTES POUR LE PROPRIÉTAIRE pour plus de détails.

2. Retirer l'adhésif et l'emballage de protection de toutes les surfaces de l'appareil.
3. Placer l'appareil à l'endroit souhaité.
 - Placez l'appareil à un endroit où la température ambiante est constante et de 21 °C minimum. Évitez les endroits susceptibles d'activer les mouvements ou les courants d'air (proximité des ventilateurs ou hottes d'évacuation et conduites de climatisation).
 - S'assurer que l'appareil est sur un plan de travail de hauteur correcte à un endroit qui convient pour son utilisation.
 - S'assurer que le plan de travail est de niveau et suffisamment solide pour résister au poids de l'appareil et des produits alimentaires.
 - Vérifier que tous les pieds sous l'appareil reposent solidement sur le plan de travail.

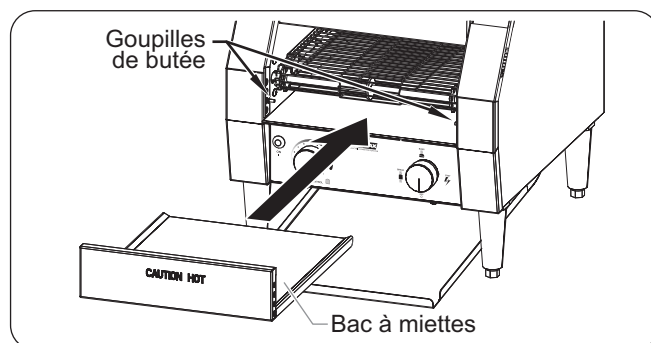
4. Si nécessaire, stabilisez l'unité en tournant l'embout réglable se trouvant sur chaque pied. Réalisez ces réglages à l'aide d'une clé plate de 16 mm (5/8 po.).



5. Installez le bac à miettes.

- a. Placez le bac à miettes juste en dessous des goupilles de butée se trouvant sous la bande transporteuse, à l'avant du grille-pain.
- b. Insérez le bac à miettes dans le grille-pain jusqu'à ce que l'avant du bac atteigne les goupilles de butée.

6. Installez la rampe de décharge avant ou le bac de décharge arrière à l'arrière de l'unité. Consultez la procédure d'« Installation du système de décharge avant ou arrière » de cette section.



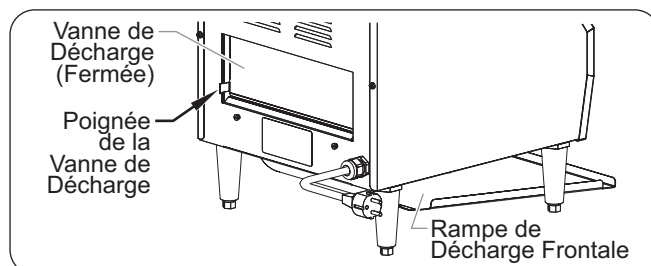
Installation du bac à miettes

Installation du système de décharge avant ou arrière

Les appareils Toast-Max peuvent être configurés pour éjecter les pains soit vers l'avant, soit vers l'arrière de l'appareil.

Pour une décharge frontale :

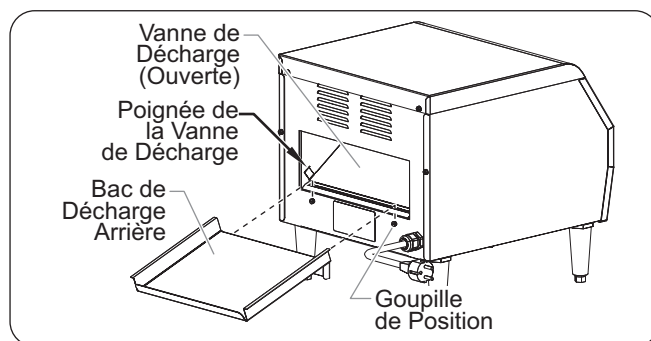
1. Insérez la rampe de décharge avant sous le grille-pain.
2. Inclinez légèrement l'extrémité recourbée de la rampe afin de placer le bord de la rampe sur les goupilles arrière (une de chaque côté).
3. Tirez la vanne de décharge afin de la fermer.



Décharge Avant (Vue Arrière)

Pour une décharge arrière :

1. Si la rampe de décharge avant est installée, retirez-la.
2. Alignez les encoches situées sur la rampe de décharge arrière avec les deux goupilles de position puis fixez-les.
3. Poussez la vanne de décharge afin qu'elle repose sur les goupilles situées à l'intérieur de l'unité.



Décharge Arrière (Vue Arrière)

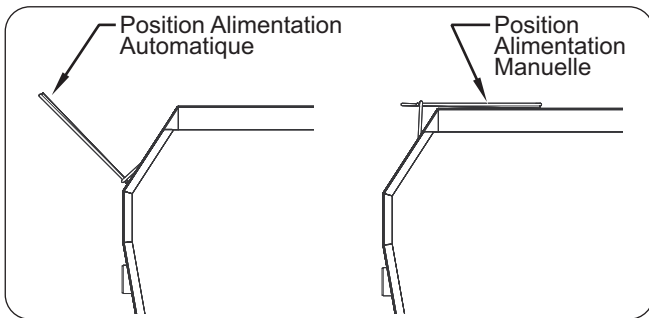
Généralités

Le grille-pain électriques à convoyeur Toast-Max™ est simple à utiliser. Son fonctionnement est décrit ci-dessous.

⚠ AVERTISSEMENT

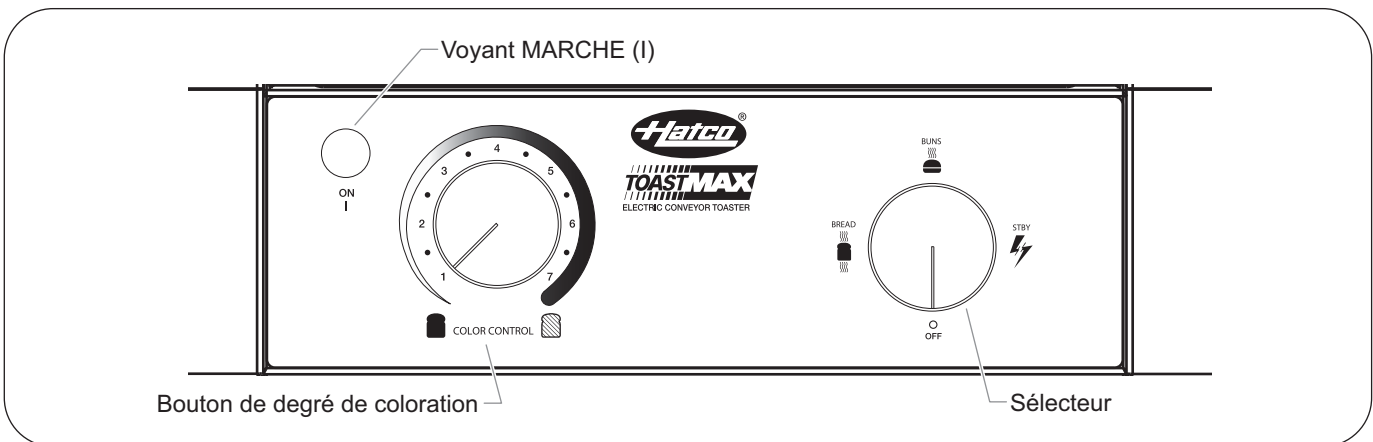
Lire tous les messages de sécurité de la section Consignes de sécurité importantes avant d'utiliser ce matériel.

1. Brancher l'appareil sur une prise électrique correctement mise à la terre du type, de la taille et de la tension corrects. Pour plus de détails, voir CARACTÉRISTIQUES TECHNIQUES.
2. Placez la rampe d'alimentation dans la position souhaitée.
 - Pour une alimentation automatique, placez la rampe d'alimentation sur la position alimentation automatique. Pour faire entrer le pain dans le grille-pain, placez-le sur la rampe d'alimentation puis lâchez-le.
 - Pour une alimentation manuelle, faites tourner la rampe d'alimentation jusqu'à ce qu'elle repose sur le sommet de l'unité. Pour faire entrer le pain dans le grille-pain manuellement, placez-le directement sur la bande transporteuse.



Rampe d'alimentation

3. Placez le sélecteur sur le réglage souhaité.
 - Pour faire griller les deux faces de la tranche de pain, placez le sélecteur sur la position PAIN.
 - Pour faire griller uniquement la face supérieure du pain, placez le sélecteur sur la position BRIOCHE.



Panneau de commande

4. Tourner la commande de coloration sur la position la plus claire pendant que l'appareil chauffe.

NOTA : Compter 15 à 20 minutes de préchauffage environ.

⚠ ATTENTION

DANGER DE BRÛLURE : Certaines surfaces extérieures de l'appareil deviennent chaudes. Toucher ces zones de l'appareil avec précaution.

5. Au terme de la période de préchauffage, tourner la commande de coloration sur le réglage "moyen" et faire griller deux tranches de pain, puis tourner la commande de coloration sur le réglage désiré.

NOTA : Pour faire griller des produits à haute teneur en eau comme les English Muffins, le pain de seigle ou le pain complet, ralentir le convoyeur en tournant la commande de coloration sur un réglage plus foncé (sens des aiguilles d'une montre).

Tous les grille-pains de la série TM peuvent être placés en mode d'économie d'énergie en tournant le sélecteur sur position Attente. Dans ce mode, le grille-pains fonctionne à 25 % de sa puissance.

NOTA : Pour remettre le grille-pains en mode de fonctionnement pleine puissance, tournez le sélecteur sur position Pain ou Petit pain. L'appareil retrouve sa pleine puissance et est prêt à griller en 5 minutes maximum.

⚠ ATTENTION

Toujours utiliser le grille-pain avec le bac à miettes en place.

Il n'est PAS conseillé de griller des produits glacés ou beurrés tels que pain à l'ail, sandwichs au fromage et viennoiseries glacées. Les résidus réduisent les performances du grille-pain et peuvent s'enflammer à l'intérieur de l'appareil. L'utilisation du grille-pain avec les produits alimentaires indiqués ci-dessus a pour effet d'annuler la garantie.

Généralités

Le grille-pain à fentes Hatco a été conçu pour une durabilité maximum et une performance optimum, avec un minimum d'entretien.

AVERTISSEMENT

DANGER DE DÉCHARGE ÉLECTRIQUE:

- Placez l'interrupteur sur ARRÊT, débranchez le câble d'alimentation et laissez l'unité refroidir avant de la nettoyer, de la paramétrer ou de l'entretenir, ou avant de tenter d'éliminer un bouchon.
- **NE PAS immerger l'appareil ni le saturer d'eau.** L'appareil n'est pas étanche à l'eau. Ne pas le faire fonctionner s'il a été immergé ou saturé d'eau.
- Ne pas nettoyer à la vapeur ni utiliser trop d'eau sur l'appareil.
- Cet appareil n'est pas étanche aux jets. Ne pas utiliser de jet sous pression pour nettoyer l'appareil.
- Ne pas nettoyer l'appareil lorsqu'il est sous tension ou chaud.
- Ne pas renverser de liquide dans l'appareil.
- Pour les réparations, utiliser exclusivement des pièces de rechange Hatco d'origine. L'utilisation de pièces autres que des pièces Hatco d'origine peut exposer l'utilisateur de l'appareil à des tensions électriques dangereuses et à un risque de décharge électrique ou de brûlure. Les pièces de rechange Hatco d'origine sont conçues pour fonctionner sans danger dans les environnements dans lesquels elles sont utilisées. Certaines pièces de rechange génériques ou de second marché ne présentent pas les caractéristiques leur permettant de fonctionner sans danger dans la matériel Hatco.

Cet appareil ne contient aucune pièce réparable par l'utilisateur. Si cet appareil doit être réparé, contacter un réparateur Hatco agréé ou le Service après-vente Hatco au +1 414-671-6350 ; télécopieur +1 414-671-3976.

Nettoyage

Pour préserver la finition du grille-pain, il est recommandé de passer quotidiennement un chiffon humide sur ses surfaces métalliques.

AVIS

Utiliser uniquement des produits nettoyants non abrasifs. Les produits nettoyants abrasifs peuvent rayer la finition de l'appareil, ce qui altère son apparence et le rend plus susceptible d'accumuler la saleté.

L'immersion ou la saturation de l'appareil avec de l'eau endommagera l'appareil et annulera la garantie du produit.

1. Retirer le bac à miettes et le vider.

ATTENTION

N'enlevez pas le bac à miettes pour le nettoyage jusqu'à ce que le grille-pain soit froid.

2. Laver le bac à miettes à l'eau chaude avec un détergent doux, puis rincer à l'eau.
3. Retirez puis nettoyez la rampe de décharge avant ou le bac de décharge arrière à l'aide d'un détergent doux. Rincez ensuite à l'eau.
 - Laissez la rampe de décharge avant ou le bac de décharge arrière sécher à l'air libre propre avant de le réinstaller.
4. Essuyer la surface extérieure du grille-pain avec un chiffon humide. **AVIS: Utiliser uniquement des produits nettoyants non abrasifs.**
5. Retirez puis nettoyez la rampe d'alimentation.
 - a. Appuyez sur les deux tiges métalliques puis soulevez-les afin de retirer la rampe d'alimentation.
 - b. Nettoyez la rampe à l'aide d'un chiffon humide ou laissez-la tremper dans une solution douce composée d'un verre (227 ml) d'ammoniac et de 3,5 litres (1 gallon) d'eau.
 - c. Alignez les tiges métalliques avec les orifices présents sur le grille-pain afin de replacer la rampe.

NOTA: Le motoréducteur et le système du convoyeur sont lubrifiés en permanence et ne nécessitent aucune lubrification supplémentaire.

AVERTISSEMENT

La réparation de cet appareil doit être confiée exclusivement à du personnel qualifié. Les réparations par des personnes non qualifiées peuvent provoquer des décharges électriques et des brûlures.

AVERTISSEMENT

DANGER DE DÉCHARGE ÉLECTRIQUE: Placez l'interrupteur sur ARRÊT, débranchez le câble d'alimentation et laissez l'unité refroidir avant de la nettoyer, de la paramétrer ou de l'entretenir, ou avant de tenter d'éliminer un bouchon.

Symptôme	Cause Probable	Solution
Pain pas assez grillé.	Bouton de minuterie (COLOR CONTROL) réglé sur une coloration claire.	Régler le bouton de minuterie (COLOR CONTROL) sur une coloration plus foncée.
	L'unité n'est pas chaude. Le grille-pain doit être préchauffé avant la mise en route initiale.	Le préchauffage de l'unité peut prendre entre 15 et 20 minutes.
	La tension d'alimentation est trop basse.	Vérifier la tension d'alimentation pour s'assurer qu'elle correspond aux caractéristiques techniques de l'appareil.
Pain trop grillé.	Bouton de minuterie (COLOR CONTROL) réglé sur une coloration foncée.	Régler le bouton de minuterie (COLOR CONTROL) sur une coloration plus claire.
	La tension d'alimentation est trop haute.	Vérifier la tension d'alimentation pour s'assurer qu'elle correspond aux caractéristiques techniques de l'appareil.
L'appareil ne grille que d'un côté.	Le sélecteur est placé sur la position BRIOCHE (grille une seule face).	Placez le sélecteur sur la position PAIN (grille les deux faces).
	Élément chauffant défectueux.	Dans le cas contraire, contactez votre agent de maintenance agréé ou Hatco pour assistance.
Le grille-pain fait sauter le coupe-circuit ou le disjoncteur de fuite de terre.	Le coupe-circuit n'est pas de calibre correct pour le grille-pain.	Vérifier si le coupe-circuit est de calibre correct.
	Erreur de câblage à l'intérieur du grille-pain.	Contactez un réparateur agréé ou Hatco pour assistance.

1. GARANTIE DU PRODUIT

Hatco garantit que les produits qu'il fabrique (les " produits ") seront dépourvus de vices de matériel, dans des conditions normales d'utilisation et de maintenance, pendant une période d'un (1) an à partir de la date d'achat à condition qu'ils soient installés et entretenus conformément aux instructions écrites de Hatco ou de 18 mois à partir de la date d'expédition de l'usine Hatco. L'acheteur doit prouver la date d'achat du Produit par l'enregistrement du produit auprès de Hatco ou par d'autres moyens satisfaisants pour Hatco, à sa seule discrétion.

Hatco garantit que les composants du produit suivant ne présentent aucuns défauts dans les matériaux employés pour leur construction, à partir de la date d'achat (sujet aux conditions en vigueur), pour la (les) période(s) de temps listées ci-dessous:

a) Deux (2) ans de garantie des pièces :

Les éléments de grille-pain de la rampe (gaine métallique)
 Éléments de tiroir chauffant (gaine métallique)
 Tiroir chauffant Rouleaux chauffants et Glissières
 Éléments de rampe chauffante (gaine métallique)
 Vitrine chauffante (gaine métallique, chauffage par air)
 Éléments d'armoire de stockage
 (gaine métallique, chauffage par air)
 Éléments de puits chauffant intégrés — des séries HWB
 (gaine métallique)

b) Un (1) an de garantie des pièces PLUS quatre (4) ans de garantie des pièces aux conditions de prorata que Hatco expliquera à la demande de l'acheteur :

Réservoirs 3CS et FR

c) Dix (10) ans de garantie des pièces :

Chauffe-eau d'appoint électriques
 Chauffe-eau d'appoint au gaz

d) Quatre-vingt dix (90) jours de garantie des pièces :

Pièces détachées de rechange

LES GARANTIES PRÉ-CITÉES SONT EXCLUSIVES ET EN LIEU DE TOUTES AUTRES GARANTIES, EXPRIMÉES OU IMPLICITES, INCLUANT MAIS NON LIMITÉ À TOUTE GARANTIE COMMERCIALE OU DE COMPATIBILITÉ POUR UN PROPOS PARTICULIER OU TOUTE VIOLATION DE BREVET OU AUTRE DROIT DE PROPRIÉTÉ INTELLECTUELLE. Sans limitation quand aux garanties pré-citées, DE TELLES GARANTIES NE COUVRENT PAS: Les ampoules à incandescence enduites, les lampes fluorescentes, les ampoules de lampes chauffantes, les ampoules halogènes enduites, les ampoules chauffantes halogènes, Ampoules au xénon, tubes à DEL, les éléments en verre et les fusibles; la défaillance de produit dans le réservoir d'appoint, l'échangeur de chaleur à tube fin, ou d'autres équipements de chauffage d'eau provoquée par le collage, l'accumulation de sédiments, les attaques chimiques ou le gel, ou une mauvaise utilisation, manipulation ou application du produit, une mauvaise installation, ou l'application de tension inadaptée.

2. LIMITATION DES REMÈDES ET DOMMAGES

La responsabilité de Hatco et le recours exclusif de l'acheteur ci-dessous seront limités seulement au remplacement de tout ou partie du produit en utilisant, au choix de Hatco, les pièces neuves ou remises à neuf ou le produit par Hatco ou un organisme de réparations agréé Hatco à l'égard de toute réclamation faite dans le délai de la garantie applicable mentionnée ci-dessus. Hatco se réserve le droit d'accepter ou de rejeter toute réclamation de ce type en tout ou partie. Dans le contexte de cette garantie limitée, « remis à neuf » signifie qu'une pièce ou un produit a été ramené à ses caractéristiques techniques par Hatco ou par un centre de réparation agréé par Hatco. Hatco n'acceptera pas le renvoi de tel produit que ce soit sans une autorisation écrite préalable de Hatco, et les coûts d'expédition des renvois approuvés sont à la charge exclusive de l'acheteur. HATCO NE PEUT ÊTRE TENU RESPONSABLE, SOUS AUCUNE CIRCONSTANCE, POUR DES DOMMAGES CONSÉCUTIFS OU INCIDENTS, INCLUANT MAIS NON LIMITÉS AU COÛT DE LA MAIN D'ŒUVRE OU A LA PERTE DE PROFIT RÉSULTANT DE L'UTILISATION OU DE L'IMPOSSIBILITÉ D'UTILISER LES PRODUITS OU DU FAIT QUE LE PRODUIT SOIT INCORPORÉ OU DEVIENNE UN COMPOSANT D'UN AUTRE PRODUIT OU MARCHANDISE.

INFORMATIONS DE SERVICE

La garantie des grille-pains Hatco série est d'un an à partir de la date d'achat ou de 18 mois à partir de la date d'expédition de chez Hatco, selon la première des deux échéances.

En cas de problème avec un grille-pain durant la période de garantie, procédez comme suit :

Contactez le revendeur Hatco le plus proche

Lorsque vous contactez votre revendeur Hatco pour un SAV, fournissez-lui les informations suivantes pour garantir le traitement rapide de votre demande :

- Modèle
- Numéro de Série (côté l'appareil)
- Problème Spécifique
- Date d'achat
- Nom de l'entreprise
- Adresse d'expédition
- Nom de la Personne à Contacter et Téléphone

Le revendeur Hatco procédera comme suit :

- Fournira les pièces détachées requises
- Enverra la demande de réparation sous garantie à Hatco pour traitement

Problèmes non liés à la garantie

En cas de problème hors garantie exigeant une assistance, contactez le centre de SAV agréé par Hatco le plus proche.

Pour trouver le centre de SAV le plus proche :

- allez sur notre site Web www.hatcocorp.com, sélectionnez le menu déroulant Ressources, puis cliquez sur « Find Service Agent/Distributor »
- appelez le SAV Hatco au 414-671-6350
- envoyez un courriel au SAV Hatco à partsandservice@hatcocorp.com

Informazioni Importanti per il Proprietario	38	Installazione	42
Introduzione	38	Informazioni Generali	42
Importanti Informazioni Sulla Sicurezza	39	Installazione dell'uscita Anteriore o Posteriore.....	42
Descrizione dei Modelli.....	40	Funzionamento	43
Tutti i Modelli	40	Informazioni Generali	43
Modelli TM-5 e TM-5H	40	Manutenzione	44
Modelli TM-10 e TM-10H	40	Informazioni Generali	44
Designazione del Modello.....	40	Pulizia	44
Dati Tecnici.....	41	Guida alla Soluzione dei Problemi.....	45
Configurazioni delle Spine.....	41	Garanzia Limitata Internazionale	46
Tabella di Corrispondenza Electrica.....	41	Informazioni Sugli Interventi in Garanzia.....	46
Dimensioni.....	41		

INFORMAZIONI IMPORTANTI PER IL PROPRIETARIO

Indicare il numero del modello, il numero di serie (sitate sulla parte laterale dell'unità), la tensione di alimentazione e la data di acquisto della propria unità negli spazi di seguito. Queste informazioni dovranno essere fornite nel momento in cui verrà richiesta l'assistenza Hatco.

N. del modello _____

N. di serie _____

Tensione di alimentazione _____

Data di acquisto _____

Registrazione l'unità!

Completando la registrazione della garanzia online si eviteranno ritardi nell'inizio della copertura. Visitare il sito Hatco all'indirizzo www.hatcocorp.com, selezionare il menu "Parts & Service" e fare clic su "Warranty Registration".

Orario d'ufficio:

dalle 8 alle 17

Fuso orario centrale degli USA

(Orario estivo: da giugno a settembre—
dalle 8 alle 17 fuso orario centrale
degli USA da lunedì a giovedì
dalle 8 alle 14.30 fuso orario centrale
degli USA il venerdì)

Telefono: (414) 671-6350

E-mail: partsandservice@hatcocorp.com

Fax: (414) 671-3976 (Parts and Service)

Si possono ottenere informazioni supplementari visitando il nostro sito Web all'indirizzo www.hatcocorp.com.

INTRODUZIONE

Il tostapane in continuo Toast-Max™ è stato progettato specificatamente per accelerare la tostatura. I prodotti da tostare scorrono attraverso una camera di cottura dove vengono tostati rapidamente e accuratamente. Il grado di umidità, il contenuto di zucchero e lo spessore del pane influenzano il risultato della tostatura. Poiché il livello di doratura è determinato dalla velocità del nastro trasportatore e non dalla temperatura, si può regolare istantaneamente il tempo di tostatura.

I tostapane Hatco sono prodotti di alta qualità, costruiti specificamente per rispondere ai requisiti per le operazioni su questo tipo di generi alimentari e garantire anni e anni di funzionamento senza problemi. Le resistenze sono garantite per due anni contro rotture e bruciature.

Il tostapane rotativo elettrico Toast-Max della Hatco è il risultato di una lunga attività di ricerca e verifica sul campo. I materiali utilizzati sono stati selezionati per la loro lunga durata, l'aspetto gradevole ed il rendimento ottimale. Ogni unità viene accuratamente ispezionata e collaudata prima della consegna.

Il presente manuale contiene le informazioni sicurezza e le procedure di installazione e funzionamento per il tostapane a Hatco. Si consiglia di leggere tutte le istruzioni di installazione, operative e di sicurezza contenute nel presente manuale prima di installare o utilizzare l'unità.

Le informazioni di sicurezza del presente manuale sono segnalate con le seguenti scritte:

AVVERTENZA

AVVERTENZA indica una situazione pericolosa che se non viene evitata può causare lesioni gravi o letali.

ATTENZIONE

ATTENZIONE indica una situazione pericolosa che se non viene evitata può causare lesioni lievi o moderate.

AVVISO

AVVISO serve a indicare situazioni che non riguardano lesioni della persona.



Leggere le seguenti importanti informazioni sulla sicurezza, al fine di evitare infortuni gravi o anche fatali, ed evitare danni alle apparecchiature o alle cose.

AVVERTENZA

PERICOLO DI SCOSSA ELETTRICA:

- Collegare l'unità a una presa elettrica opportunamente messa a terra e di corretta tensione e configurazione di spina. Se la spina e la presa non corrispondono, mettersi in contatto con un elettricista qualificato per stabilire la tensione corretta e installare la presa elettrica della misura giusta.
- Prima di eseguire qualsiasi intervento di pulizia, regolazione o manutenzione o tentare di risolvere un inceppamento disattivare l'alimentazione, staccare il cavo di alimentazione e lasciare raffreddare l'unità.
- L'unità non è a prova di intemperie. Sistemare l'unità al chiuso in un posto in cui la temperatura ambiente sia un minimo di 21 °C (70 °F).
- Non tirare l'unità dal cavo di alimentazione.
- Smettere di usare l'unità se il cavo di alimentazione si consuma o si logora.
- Non cercare di riparare o sostituire un cavo di alimentazione danneggiato. Il cavo di alimentazione deve essere sostituito da parte di Hatco, un rappresentante di servizio autorizzato Hatco o una persona con simili qualifiche professionali.
- Affidare la riparazione dell'unità esclusivamente a personale qualificato. La riparazione da parte di personale non addetto può comportare il rischio di scossa elettrica o di ustione.
- Non pulire a vapore o usare una quantità eccessiva d'acqua sull'unità.
- La costruzione di questa unità non è a prova di getto. Non usare spruzzi a getto per pulire l'unità.
- Non inserire mai un coltello, una forchetta o altro oggetto simile nello scomparto di tostatura.
- Non sollevare il tostapane inserendo le dita nelle fessure e afferrando gli elementi di riscaldamento.
- Non pulire l'unità quando è sotto tensione o calda.
- Non lasciare che nessun liquido entri nell'unità.
- Nell'eseguire interventi sull'unità usare solo pezzi di ricambio originali di Hatco. Il mancato uso di pezzi di ricambio originali di Hatco può esporre l'operatore a pericolose tensioni elettriche capaci di produrre scosse o ustioni. I pezzi di ricambio originali di Hatco sono necessari per un funzionamento sicuro negli ambienti d'uso previsti. Alcuni pezzi di ricambio generici o di altri produttori non possiedono le stesse caratteristiche e non consentono il funzionamento degli apparecchi Hatco in condizioni di sicurezza.

PERICOLO DI INCENDIO:

- Sistemare l'unità a un minimo di 25 mm (1 pollice) da pareti o materiali infiammabili. Se non si mantengono le distanze di sicurezza, l'unità può scolorirsi o bruciare.
- Non porre nessun oggetto sul tostapane. Non porre il tostapane vicino o sotto a tende o altri materiali infiammabili. Articoli posti sopra o in vicinanza del tostapane potrebbero incendiarsi causando lesioni e/o danneggiamento del tostapane.

AVVERTENZA

PERICOLO DI ESPLOSIONE: Non riporre e non usare benzina o altri liquidi o vapori infiammabili in vicinanza di questo o di altri elettrodomestici.

In caso di incendio, scollegare immediatamente il tostapane dalla fonte di alimentazione. In questo modo l'unità potrà raffreddarsi e si potrà spegnere l'incendio in modo più facile e sicuro.

Questa unità non è destinata all'uso da parte di bambini o persone con facoltà fisiche, sensoriali o mentali ridotte. Sorvegliare opportunamente i bambini e tenerli lontani dall'unità.

Non azionare l'unità con un timer esterno o un sistema comandato a distanza.

Interventi sull'unità devono essere eseguiti solo da parte di personale qualificato. Interventi da parte di persone non qualificate possono risultare in scossa elettrica o ustione.

Questa unità non contiene parti su cui "l'utente" può intervenire. Se l'unità richiede un intervento di assistenza mettersi in contatto con un Agente di assistenza autorizzato di Hatco o con il Reparto di assistenza di Hatco al numero telefonico 414-671-6350; fax 414-671-3976.F

ATTENZIONE

PERICOLO DI USTIONE:

- Alcune superfici esterne dell'unità diventano molto calde. Fare attenzione quando si toccano queste aree.
- Non estrarre il vassoio delle briciole per pulirlo finché il tostapane non si è raffreddato.

Sistemare l'unità su di un banco di altezza adatta in un'area che sia pratica per l'uso. La posizione dovrebbe essere in piano, per evitare che l'unità e il suo contenuto possano rovesciarsi, e forte a sufficienza da supportare il peso dell'unità stessa e del suo contenuto.

Usare sempre l'unità con il vassoio delle briciole in posizione.

NON si sconsiglia di tostare prodotti ricoperti o imburattati, come ad esempio pane all'aglio, sandwich di formaggio e tortine. Il residuo ridurrà le prestazioni del tostapane e potrebbe fare scoppiare un incendio all'interno. L'uso del tostapane con i prodotti alimentari elencati sopra annulla la garanzia dell'unità.

AVVISO

Non appoggiare l'unità sul lato con il pannello dei controlli perché così facendo si potrà danneggiare l'unità.

Sommersione o immersione nell'acqua l'unità la danneggia e rende nulla la garanzia.

Usare solo agenti di pulizia non abrasivi. I detergenti abrasivi possono graffiare la finitura dell'unità, sciupandone l'aspetto e rendendo l'unità soggetta ad accumulo di sporcizia.

Questa unità è prevista solo per uso commerciale, NON per uso domestico.

DESCRIZIONE DEI MODELLI

I

Tutti i Modelli

Tutti i tostapane in continuo Toast-Max™ sono veloci, affidabili e versatili, con una capacità massima di 300 fette o panini all'ora. La possibilità di uscita dalla parte anteriore o posteriore permette di collocare il tostapane Toast-Max nel punto più comodo.

Ogni tostapane Toast-Max utilizza resistenze che offrono lunga durata, un motorino di azionamento del nastro trasportatore che non richiede lubrificazione e un selettore a quattro posizioni. Ogni unità viene spedita con quattro piedini regolabili di 102 mm (4 in), uno scivolo di alimentazione, un cassetto raccoglibriciole estraibile e un vassoio di raccolta dei toast.

Modello TM-5

Modello TM-5 consente di tostare pane di spessore fino a 38 mm (1-1/2 in) e larghezza fino a 245 mm (9-5/8 in). La capacità massima è di 180 fette all'ora.

Modello TM-5H

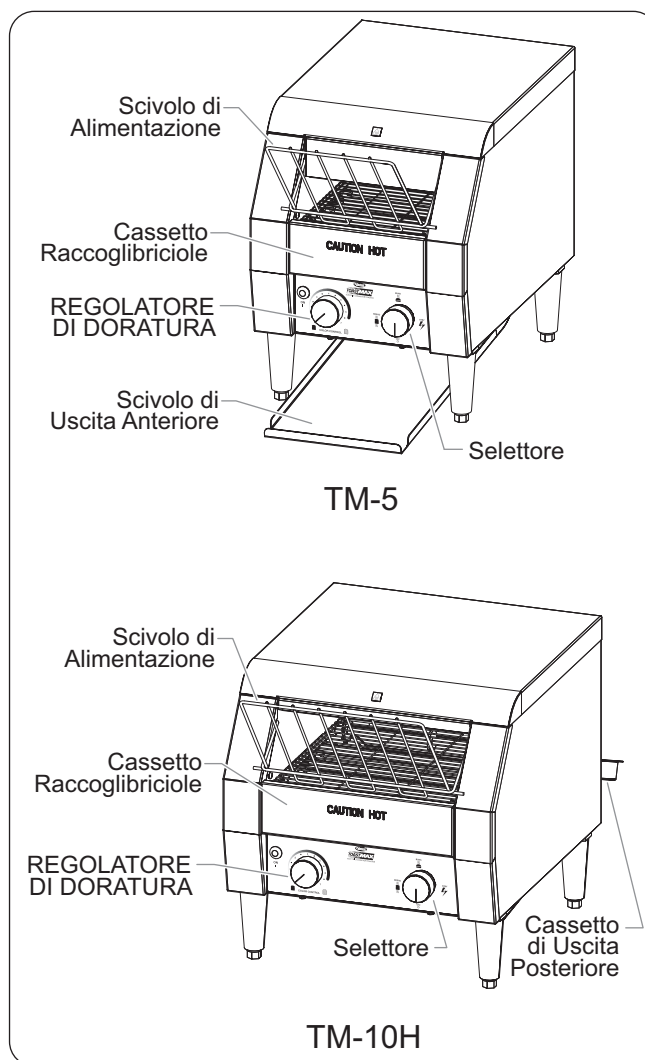
Modello TM-5H consente di tostare pane di spessore fino a 64 mm (2-1/2 in) e larghezza fino a 245 mm (9-5/8 in). La capacità massima è di 180 fette all'ora.

Modello TM-10

Modello TM-10 consente di tostare pane di spessore fino a 38 mm (1-1/2 in) e larghezza fino a 245 mm (9-5/8 in). La capacità massima è di 300 fette all'ora.

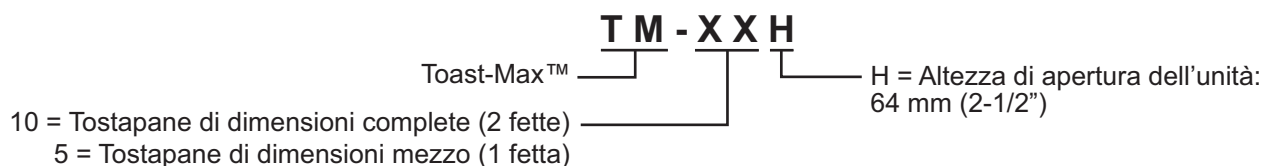
Modello TM-10H

Modello TM-10H consente di tostare pane di spessore fino a 64 mm (2-1/2 in) e larghezza fino a 245 mm (9-5/8 in). La capacità massima è di 300 fette all'ora.



Modelli TM-5 e TM-10H

DESIGNAZIONE DEL MODELLO



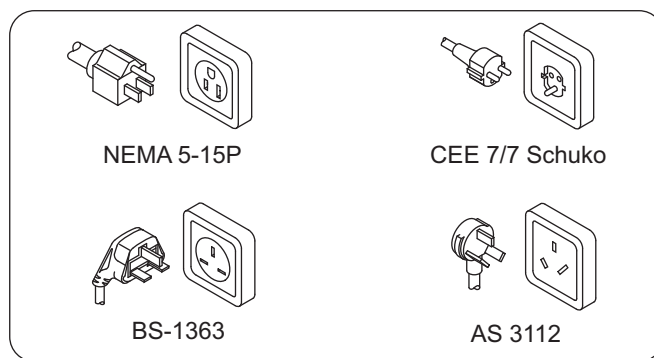
Configurazioni delle spine

Units are supplied from the factory with an electrical cord and plug installed. Plugs are supplied according to the applications.



PERICOLO DI SCOSSA ELETTRICA: Collegare l'unità a una presa elettrica opportunamente messa a terra e di corretta tensione e configurazione di spina. Se la spina e la presa non corrispondono, mettersi in contatto con un elettricista qualificato per stabilire la tensione corretta e installare la presa elettrica della misura giusta.

NOTA: L'etichetta delle specifiche è collocata sulla parte laterale dell'unità. Vedere l'etichetta per le informazioni relative al numero di serie e la verifica dei dati elettrici dell'unità.



Configurazioni delle spine

NOTA: Presa non fornita da Hatco.

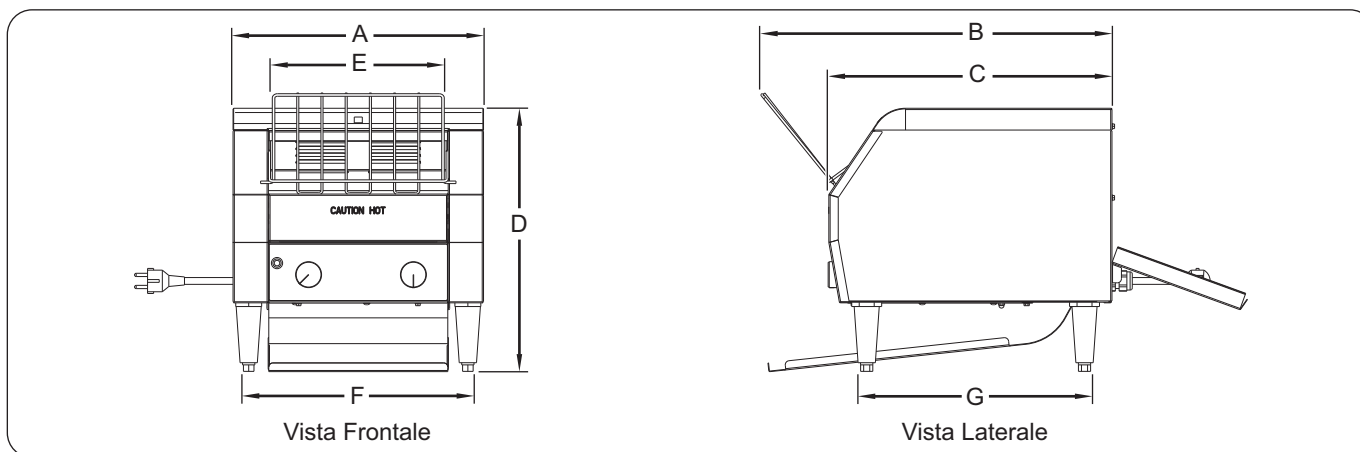
Tabella di Corrispondenza Electrica

Modello	Tensione	Hertz	Watts	Ampere	Configurazione della Spina	Peso di Spedizione
TM-5	220-240 (CE)	50/60	1340-1595	6.1-6.6	CEE 7/7 Schuko, BS-1363, or AS 3112	16 kg (36 lbs.)
TM-5H	100	50/60	1340	13.4	NEMA 5-15	16 kg (36 lbs.)
	120	50/60	1340	11.2	NEMA 5-15	16 kg (36 lbs.)
	220-240 (CE)	50/60	1340-1595	6.1-6.6	CEE 7/7 Schuko, BS-1363, or AS 3112	16 kg (36 lbs.)
TM-10	220-240 (CE)	50/60	1940-2300	8.8-9.6	CEE 7/7 Schuko, BS-1363, or AS 3112	19 kg (41 lbs.)
TM-10H	120	50/60	1790	14.9	NEMA 5-15	19 kg (41 lbs.)
	220-240 (CE)	50/60	1940-2300	8.8-9.6	CEE 7/7 Schuko, BS-1363, or AS 3112	19 kg (41 lbs.)

Dimensioni

Modello	Larghezza (A)	Profondità (B)*	Profondità Unità (C)	Altezza (D)	Larghezza Camera (E)	Larghezza d'igombro (F)	Profondità d'igombro (G)
TM-5 e TM-5H	290 mm (11-7/16")	523 mm (20-5/8")	419 mm (16-1/2")	387 mm (15-1/4")	186 mm (7-3/8")	260 mm (10-1/4")	336 mm (13-1/4")
TM-10 e TM-10H	368 mm (14-1/2")	520 mm (20-1/2")	419 mm (16-1/2")	387 mm (15-1/4")	264 mm (10-3/8")	338 mm (13-3/8")	336 mm (13-1/4")

* Aggiungere 195 mm (7-3/4") alla profondità totale (B) per le unità dotate di scivolo di uscita posteriore.



Dimensioni

Informazioni generali

Il tostapane in continuo Toast-Max della Hatco è fornito con tutti i componenti preassemblati. Procedere con cautela durante il disimballaggio, per prevenire danni all'apparecchio e ai componenti acclusi.

AVVERTENZA

PERICOLO DI SCOSSA ELETTRICA: L'unità non è a prova di intemperie. Sistemare l'unità al chiuso in un posto in cui la temperatura ambiente sia un minimo di 21 °C (70 °F)

PERICOLO DI ESPLOSIONE: Non riporre e non usare benzina o altri liquidi o vapori infiammabili in vicinanza di questo o di altri elettrodomestici.

PERICOLO DI INCENDIO:

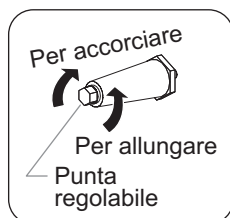
- Non porre nessun oggetto sul tostapane. Non porre il tostapane vicino o sotto a tende o altri materiali infiammabili. Articoli posti sopra o in vicinanza del tostapane potrebbero incendiarsi causando lesioni e/o danneggiamento del tostapane.
- Sistemare l'unità a un minimo di 25 mm (1 pollice) da pareti o materiali infiammabili. Se non si mantengono le distanze di sicurezza, l'unità può scolorirsi o bruciare.

1. Estrarre l'apparecchio dalla scatola.

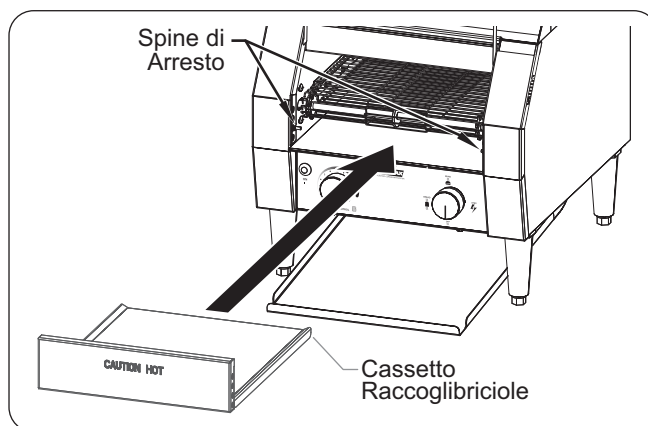
NOTA: Completare la registrazione della garanzia online per evitare ritardi nell'inizio della copertura. Vedere la sezione INFORMAZIONI IMPORTANTI PER L'ACQUIRENTE per ulteriori dettagli.

2. Rimuovere il nastro e la pellicola protettiva da tutte le superfici dell'apparecchio.
3. Sistemare l'unità nella posizione desiderata.
 - Sistemare l'unità in un'area in cui la temperatura ambiente sia costante e con un valore minimo di 21°C. Evitare i luoghi soggetti a flussi e correnti d'aria attivi (ossia, in prossimità di condotti dell'aria condizionata o condotte aspiranti).
 - Accertarsi che l'unità sia su di un banco di altezza adatta in un'area pratica per l'uso.
 - Accertarsi che il ripiano del banco sia in piano e sufficientemente robusto da supportare l'unità e i prodotti alimentari.
 - Accertarsi che tutti i piedi sul fondo dell'unità si posizionino in modo sicuro sul ripiano del banco.

4. Livellare l'unità ruotando il piedino regolabile su ciascuna asta, se necessario. Utilizzare una chiave fissa da 16 mm (5/8") per effettuare le regolazioni di livellamento.



5. Installare il cassetto raccoglibriciole.
 - a. Posizionare il cassetto raccoglibriciole direttamente sotto le spine di arresto sotto il nastro trasportatore nella parte anteriore del tostapane.
 - b. Far scivolare il cassetto raccoglibriciole nel tostapane sino a che la parte anteriore del cassetto raccoglibriciole non viene bloccato dalle spine di arresto.
6. Installare lo scivolo di uscita anteriore o il cassetto di uscita posteriore sul retro dell'unità. Fare riferimento alla procedura di "Installazione dell'uscita anteriore o posteriore", nella presente sezione.



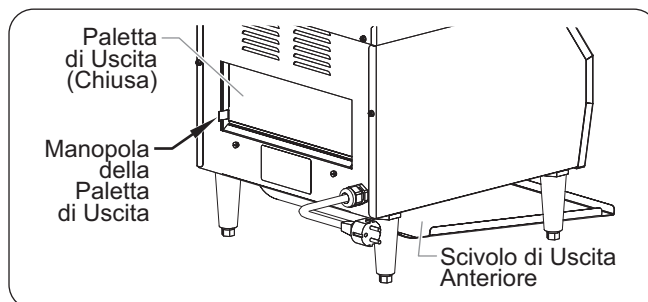
Installazione del cassetto raccoglibriciole

Installazione dell'uscita anteriore o posteriore

Le unità Toast-Max possono essere impostate in modo tale che il prodotto venga scaricato dal lato anteriore o posteriore.

Per l'uscita anteriore:

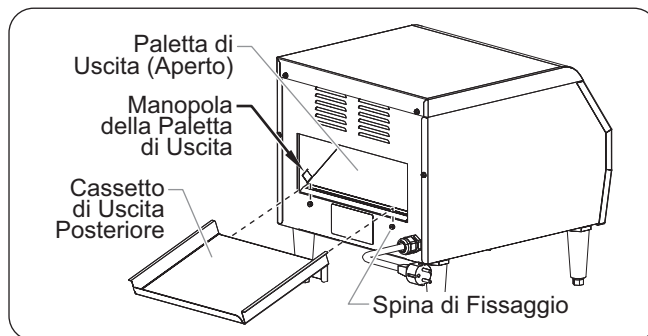
1. Far scivolare lo scivolo di uscita anteriore sotto il tostapane.
2. Piegare leggermente verso l'alto l'estremità curva dello scivolo per posizionare il bordo dello scivolo sulle spine posteriori (una su ogni lato).
3. Tirare la paletta di uscita in modo che si fissi in posizione chiusa.



Uscita Anteriore (Vista Posteriore)

Per l'uscita posteriore:

1. Rimuovere lo scivolo di uscita anteriore se installato.
2. Allineare le tacche sul cassetto di uscita posteriore sulle due spine di fissaggio e abbassare in posizione.
3. Spingere in posizione aperta la paletta di uscita in modo che si posizioni sulle spine all'interno dell'unità.



Uscita Posteriore (Vista Posteriore)

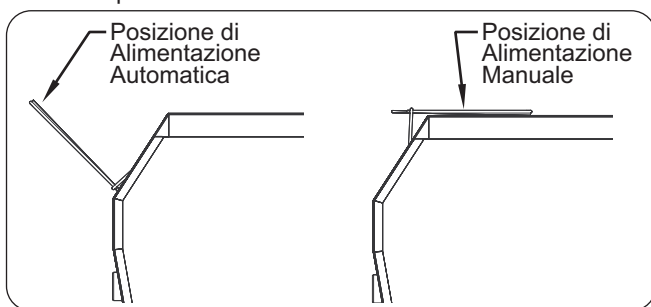
Informazioni generali

Il tostapane è facile da usare. Per usare il tostapane procedere nel modo seguente.

AVVERTENZA

Prima di usare l'unità, leggere tutti i messaggi di sicurezza contenuti nella sezione **IMPORTANTI INFORMAZIONI SULLA SICUREZZA**.

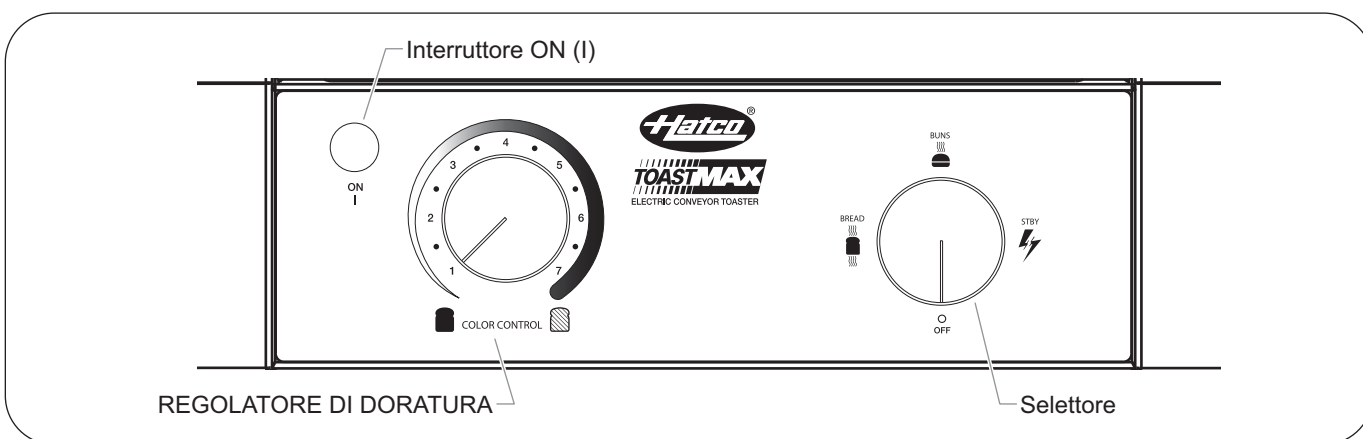
1. Inserire la spina dell'apparecchio in una presa elettrica di tensione, dimensioni e configurazione adatte. Per i dettagli vedere la sezione **DATI TECNICI**.
2. Portare lo scivolo di alimentazione nella posizione desiderata.
 - Per l'alimentazione automatica, portare lo scivolo di alimentazione nella posizione di alimentazione automatica. Il pane entra nel tostapane tramite posizionamento sullo scivolo di alimentazione e successivo rilascio.
 - Per l'alimentazione manuale, ruotare lo scivolo di alimentazione verso l'alto sinché non si posizioni sulla parte superiore dell'unità. Il pane può essere caricato manualmente posizionandolo direttamente sul nastro trasportatore.



Scivolo di alimentazione

3. Posizionare il selettore sull'impostazione di tostatura desiderata.
 - Per tostare entrambi i lati del pane, posizionare il selettore in posizione **BREAD (PANE)**.
 - Per tostare soltanto la parte superiore del pane, posizionare il selettore in posizione **BUN (CROSTA)**.

NOTA: L'interruttore **ON (I)** si accenderà dopo la selezione di una modalità di tostatura.



Quadro di controllo

4. Girare il regolatore di doratura sulla posizione di doratura minima e mantenerlo mentre l'unità si riscalda.

NOTA: Attendere circa 15 - 20 minuti perché l'unità si riscaldi.

ATTENZIONE

PERICOLO DI USTIONE: Alcune superfici esterne dell'unità diventano molto calde. Fare attenzione quando si toccano queste aree.

5. Al termine del periodo di riscaldamento, girare il regolatore di doratura sulla posizione intermedia e tostare due fette di pane; portare quindi il regolatore di doratura sulla posizione desiderata.

NOTA: Per tostare prodotti morbidi come i muffin, il pane di segale o il pane integrale, fare rallentare il nastro trasportatore girando il regolatore di doratura su una posizione corrispondente a una doratura maggiore (in senso orario).

Tutti i tostapane serie TM possono essere portati in modalità di risparmio energetico: girare il selettore sulla posizione di standby. In questa modalità il tostapane consuma il 25% della potenza massima.

NOTA: Per riportare il tostapane nella modalità di normale funzionamento, girare il selettore sulla posizione "panefetta" o "fettepanino". L'unità sarà pronta per eseguire la tostatura entro 5 minuti.

ATTENZIONE

Usare sempre l'unità con il vassoio delle briciole in posizione.

NON si sconsiglia di tostare prodotti ricoperti o imburriati, come ad esempio pane all'aglio, sandwich di formaggio e tortine. Il residuo ridurrà le prestazioni del tostapane e potrebbe fare scoppiare un incendio all'interno. L'uso del tostapane con i prodotti alimentari elencati sopra annulla la garanzia dell'unità.

Informazioni generali

Il tostapane a espulsione è stato progettato per la massima durata e prestazioni continuative con manutenzione minima.

AVVERTENZA

PERICOLO DI SCOSSA ELETTRICA:

- Prima di eseguire qualsiasi intervento di pulizia, regolazione o manutenzione o tentare di risolvere un inceppamento disattivare l'alimentazione, staccare il cavo di alimentazione e lasciare raffreddare l'unità.
- **NON immergere in acqua o inzuppare d'acqua. L'unità non è impermeabile. Non usare l'unità se è stata immersa in acqua o inzuppata d'acqua.**
- Non pulire a vapore o usare una quantità eccessiva d'acqua sull'unità.
- La costruzione di questa unità non è a prova di getto. Non usare spruzzi a getto per pulire l'unità.
- Non pulire l'unità quando è sotto tensione o calda.
- Non lasciare che nessun liquido entri nell'unità.
- Nell'eseguire interventi sull'unità usare solo pezzi di ricambio originali di Hatco. Il mancato uso di pezzi di ricambio originali di Hatco può esporre l'operatore a pericolose tensioni elettriche capaci di produrre scosse o ustioni. I pezzi di ricambio originali di Hatco sono necessari per un funzionamento sicuro negli ambienti d'uso previsti. Alcuni pezzi di ricambio generici o di altri produttori non possiedono le stesse caratteristiche e non consentono il funzionamento degli apparecchi Hatco in condizioni di sicurezza.

Questa unità non contiene parti su cui "l'utente" può intervenire. Se l'unità richiede un intervento di assistenza mettersi in contatto con un Agente di assistenza autorizzato di Hatco o con il Reparto di assistenza di Hatco al numero telefonico 414-671-6350; fax 414-671-3976.

Pulizia

Per preservare la finitura del tostapane, si consiglia di pulirne giornalmente le superfici metalliche con un panno umido.

AVVISO

Usare solo agenti di pulizia non abrasivi. I detergenti abrasivi possono graffiare la finitura dell'unità, sciupandone l'aspetto e rendendo l'unità soggetta ad accumulo di sporcizia.

Sommergere o immergere nell'acqua l'unità la danneggia e rende nulla la garanzia.

1. Estrarre il cassetto raccoglibriciole e svuotarlo.

ATTENZIONE

Non rimuova il vassoio della briciola per pulizia fino a che il tostapane sia freddo.

2. Lavare il vassoio delle briciole con acqua tiepida e un detergente neutro, quindi sciacquarlo con acqua.
 - Lasciare asciugare il cassetto raccoglibriciole all'aria prima di reinserirlo nel tostapane.
3. Rimuovere e lavare lo scivolo di uscita anteriore o il cassetto di uscita posteriore con un detergente delicato. Sciacquare con acqua.
 - Far asciugare all'aria morbido lo scivolo di uscita anteriore o il cassetto di uscita posteriore prima di installarli nuovamente.
4. Pulire le superfici esterne del tostapane con un panno umido. **AVVISO: Usare solo agenti di pulizia non abrasivi.**
5. Rimuovere e pulire lo scivolo di alimentazione dell'unità.
 - a. Premere verso l'interno i due raggi metallici per sollevare lo scivolo di alimentazione dell'unità.
 - b. Pulire con un panno morbido e umido o immergere in una delicata soluzione di 227 ml (1 tazza) di ammoniaca e 3,785 litri (1 gal) di acqua.
 - c. Allineare i raggi metallici ai fori sul tostapane per reinstallare lo scivolo.

NOTA: Il motoriduttore del trasportatore e il sistema del trasportatore sono continuamente lubrificati e non richiedono lubrificazione.

⚠ AVVERTENZA

Interventi sull'unità devono essere eseguiti solo da parte di personale qualificato. Interventi da parte di persone non qualificate possono risultare in scossa elettrica o ustione.

⚠ AVVERTENZA

PERICOLO DI SCOSSA ELETTRICA: Prima di eseguire qualsiasi intervento di pulizia, regolazione o manutenzione o tentare di risolvere un inceppamento disattivare l'alimentazione, staccare il cavo di alimentazione e lasciare raffreddare l'unità.

Sintomo	Causa Probabile	Intervento
Tostatura troppo leggera.	La manopola del timer di controllo del colore (COLOR CONTROL) è impostata sul valore più basso.	Girare la manopola del timer di controllo del colore (COLOR CONTROL) su di un'impostazione più scura.
	Unità non riscaldata. Il tostapane necessita di tempo per riscaldarsi se inizialmente acceso.	Sono necessari circa 15-20 minuti perché l'unità si riscaldi.
	Tensione di alimentazione bassa.	Verificare che la tensione di alimentazione del tostapane corrisponda ai valori dei dati tecnici.
Tostatura eccessiva.	La manopola del timer di controllo del colore (COLOR CONTROL) è impostata su un valore scuro.	Girare la manopola del timer di controllo del colore (COLOR CONTROL) su di un'impostazione meno scura.
	Tensione di alimentazione alta.	Verificare che la tensione di alimentazione del tostapane corrisponda ai valori dei dati tecnici.
La tostatura viene eseguita solo su un lato.	Il selettore è in posizione BUN (CROSTA) (tostatura di un solo lato).	Posizionare il selettore in posizione BREAD (PANE) (tostatura su due lati).
	Un elemento riscaldante è guasto.	Se l'elemento non è rosso, rivolgersi per assistenza al rappresentante autorizzato o direttamente ad Hatco.
Il tostapane fa scattare l'interruttore automatico o l'interruttore differenziale.	La portata dell'interruttore è inadeguata per la corrente assorbita dal tostapane.	Verificare che l'interruttore automatico sia della giusta portata.
	Circuito guasto all'interno del tostapane.	Mettersi in contatto con un Agente di assistenza autorizzato o con Hatco.

1. GARANZIA SUL PRODOTTO

La Hatco garantisce che i prodotti di sua fabbricazione (i "Prodotti"), in normali condizioni di uso e manutenzione, sono esenti da difetti di materiale per un (1) anno dalla data di acquisto, se installati e mantenuti in osservanza delle istruzioni scritte della Hatco, oppure per 18 mesi dalla data di spedizione dalla Hatco. L'acquirente deve confermare la data di acquisto del prodotto registrando il prodotto con Hatco o per mezzo di altri sistemi accettati da Hatco a sua totale discrezione.

La Hatco garantisce che i seguenti componenti del Prodotto non presenteranno difetti materiali dalla data dell'acquisto (in conformità alle condizioni di cui sopra) per la(e) durata(e) e le condizioni di seguito elencate:

a) Due (2) giorni di garanzia per le parti:

Elementi del tostapane a convezione (guaina metallica)
Componenti scorrevoli del riscaldatore (rivestiti in metallo)
Riscaldatore, rulli del riscaldatore e scivoli del Riscaldatore
Elementi termostrisce (rivestiti in metallo)
Componenti del visualizzatore del riscaldatore (riscaldamento ad aria rivestito in metallo)
Componenti di sostegno dell'armatura (impianto di riscaldamento ad aria rivestito in metallo)
Elementi del pozzo riscaldato incorporato — serie HWB (con protezione di metallo)

b) Un (1) anno parti e manodopera PIÙ quattro (4) anni garanzia solo parti, a termini distribuiti proporzionalmente che Hatco spiegherà all'acquirente se così richiesto:

Serbatoi 3CS e FR

c) Dieci (10) giorni di garanzia per le parti:

Serbatoi di acqua calda ausiliari elettrici
Serbatoi di acqua calda ausiliari a gas

d) Novanta (90) giorni di garanzia per le parti:

Parti di ricambio

LE GARANZIE DI CUI SOPRA SONO ESCLUSIVE E SOSTITUISCONO QUALSIASI ALTRA GARANZIA, ESPRESSA O IMPLICITA, COMPRESA TRA L'ALTRO, LA GARANZIA DI COMMERCIALITÀ O ADEGUATEZZA PER UNO SCOPO PARTICOLARE O DI PROTEZIONE DALLA VIOLAZIONE DEI DIRITTI DI BREVETTO O DI ALTRO GENERE DI PROPRIETÀ INTELLETTUALE. Senza limitare il concetto generico di quanto sopra, DETTE GARANZIE NON COPRONO: lampadine per lampade incandescenti rivestite, lampade fluorescenti, lampadine per lampade di riscaldamento, lampadine per lampade alogene rivestite, lampadine per lampade di riscaldamento alogene, lampadine xenon, tubi LED, componenti in vetro e fusibili, guasti del prodotto nella vasca booster, nel tubo ad alette dello scambiatore di calore o in altra attrezzatura per il riscaldamento dell'acqua causati da calcinazione, accumulo di sedimentazione, agenti chimici o congelamento, uso scorretto del prodotto, manomissione o applicazione errata, installazione non corretta o applicazione di tensione errata.

2. LIMITI DEGLI OBBLIGHI DI RIPARAZIONE E DI RISARCIMENTO DANNI

La responsabilità di Hatco e l'esclusivo rimedio spettante all'acquirente per quanto riportato di seguito, saranno limitati esclusivamente alla sostituzione della parte di ricambio con parti nuove o rigenerate, a scelta di Hatco, da parte di Hatco stessa o di un centro di servizio autorizzato in relazione alla richiesta effettuata entro il succitato periodo di garanzia pertinente. Hatco si riserva il diritto di accettare o rifiutare eventuali reclami in tutto o in parte. Nel contesto della presente Garanzia limitata, "rigenerato" significa che una parte o un Prodotto è stato riportato alle specifiche tecniche originali da Hatco o da un'agenzia di servizio autorizzata da Hatco. La Hatco non accetterà la restituzione dei propri Prodotti senza previa approvazione scritta da parte della stessa e le spese di spedizione saranno esclusivamente a carico dell'Acquirente. LA HATCO DECLINA QUALSIASI RESPONSABILITÀ PER EVENTUALI DANNI INDIRETTI O ACCIDENTALI, COMPRESI TRA L'ALTRO I COSTI DI MANODOPERA O IL MANCATO GUADAGNO CAUSATI DALL'UTILIZZO O DALL'IMPOSSIBILITÀ DI UTILIZZARE I PRODOTTI O DOVUTI AL MONTAGGIO DEI PROPRI PRODOTTI IN ALTRI IMPIANTI O APPARECCHI.

INFORMAZIONI SUGLI INTERVENTI IN GARANZIA

La garanzia di tutti i tostapane di Hatco è di un anno dalla data d'acquisto o di diciotto mesi dalla data di spedizione dallo stabilimento Hatco, quale che sia la prima.

Se sorge un problema con il tostapane durante il decorso della garanzia:

Rivolgersi al rappresentante Hatco della propria zona.

Quando si richiede assistenza a un rappresentante Hatco, fornire le informazioni seguenti per assicurare la tempestività del servizio:

- Modello dell'apparecchio
- Numero di Serie (Riportato sulla Parte laterale dell'apparecchio)
- Una Descrizione Accurata del Problema
- Data di Acquisto
- Nome dell'azienda

- Indirizzo di spedizione
- Nome e Numero Telefonico della Persona da Contattare

Il rivenditore Hatco:

- Fornirà i Ricambi Necessari
- Inoltrerà alla Hatco il Reclamo

Problemi non coperti dalla garanzia

Se sorge un problema non coperto dalla garanzia per il quale è necessaria assistenza, rivolgersi al centro di servizio autorizzato Hatco di zona. Per gli indirizzi dei centri di servizio:

- visitare il sito www.hatcocorp.com, selezionare il menu "Resources" e fare clic su "Find Service Agent/Distributor".
- Chiamare l'assistenza Hatco al numero +1 414 671 6350.
- Scrivere all'assistenza Hatco all'indirizzo partsandservice@hatcocorp.com.

Belangrijke Informatie Voor De Eigenaar	47	Installatie	51
Inleiding	47	Algemeen.....	51
Belangrijke Veiligheidsinformatie	48	Installatie voorste of achterste afvoer.....	51
Modelbeschrijving	49	Werking	52
Alle Modellen	49	Algemeen.....	52
Model TM-5 en TM-5H	49	Onderhoud	53
Model TM-10 en TM-10H	49	Algemeen.....	53
Modelaanduiding	49	Reinigen.....	53
Specificaties	50	Oplossen van Problemen	54
Stekkerconfiguraties	50	Internationale Beperkte Garantie	55
Tabel met elektrische gegevens	50	Informatie over Garantieservice	55
Afmetingen.....	50		

BELANGRIJKE INFORMATIE VOOR DE EIGENAAR

Noteer het modelnummer, serienummer (bevindt zich op de zijkant van het apparaat), de spanning en de aankoopdatum van uw apparaat in de ruimte onderaan. Zorg ervoor dat u deze informatie ter beschikking hebt als u Hatco voor service belt.

Modelnr. _____

Serienr. _____

Spanning _____

Aankoopdatum _____

Registreer uw apparaat!

Als u online de garantieregistratie invult kunt u vertalingen bij het bekomen van uw garantievoorwaarden vermijden. Ga naar de Hatco-website op www.hatcocorp.com, selecteer the Onderdelen&Onderhoud menu en klik op "Garantieregistratie".

Kantooruren:

8:00 uur tot 17:00 uur

Central Standard Time (CET – 7 uur)

(Zomeruren: juni tot september –

8:00 uur tot 17:00 uur CST

maandag tot donderdag

8:00 uur tot 14:30 uur CST op vrijdag)

Telefoon: +1-414-671-6350

E-mail: partsandservice@hatcocorp.com

Fax: +1-414-671-3976
(Onderdelen en service)

Bijkomende informatie vindt u op onze website:
www.hatcocorp.com.

INLEIDING

De Hatco Toast-Max™ elektrische toaster met transportband is speciaal ontworpen om sneller te roosteren. De te roosteren producten gaan door een verhittingskamer waar ze snel en grondig worden geroosterd. Het vocht- en suikergehalte en de dikte van het brood zijn van invloed op het vermogen om een perfect geroosterd product te verkrijgen. Doordat de kleur van het geroosterde brood wordt bepaald door de snelheid van de transportband en niet door de temperatuur, kan de roostertijd onmiddellijk worden aangepast.

Hatco toasters zijn kwaliteitsproducten die aan de eisen van foodservicebedrijven voldoen en jarenlang zonder problemen werken. De met metaal beklede buisvormige verwarmingsspiralen worden twee jaar lang gegarandeerd tegen breken en doorbranden.

Uw Hatco Toast-Max elektrische toaster met transportband is een product dat het resultaat is van extensief onderzoek en praktijktesten. De gebruikte materialen werden gekozen voor hun maximale duurzaamheid, aantrekkelijke verschijning en optimale prestaties. Ieder apparaat is grondig geïnspecteerd en getest alvorens het werd verzonden.

In deze handleiding vindt u instructies voor de installatie, het veilige gebruik en de bediening van de Hatco. Hatco raadt aan om alle installatie-, bedienings- en veiligheidsinstructies in deze handleiding te lezen voordat het apparaat wordt geïnstalleerd of bediend.

De veiligheidsinformatie in deze handleiding wordt voorafgegaan door een tekstkader met een van de volgende termen:

WAARSCHUWING

WAARSCHUWING wijst op een gevaarlijke situatie die, als ze niet wordt vermeden, tot ernstige of dodelijke letsels kan leiden.

VOORZICHTIG

VOORZICHTIG wijst op een gevaarlijke situatie die, als ze niet wordt vermeden, tot lichte of vrij ernstige letsels kan leiden.

ATTENTIE

ATTENTIE wordt gebruikt om uw aandacht te vestigen op praktijken die niet tot lichamelijke letsels leiden.

! Lees de volgende belangrijke veiligheidsinformatie om mogelijk dodelijk letsel te voorkomen en om schade aan het apparaat of materiaal te voorkomen.

! WAARSCHUWING

GEVAAR VOOR ELEKTRISCHE SCHOKKEN:

- Steek de stekker van het apparaat alleen in een naar behoren geaard stopcontact met de correcte spanning, grootte en stekkerconfiguratie. Als de stekker en het stopcontact niet passen, neemt u contact op met een gekwalificeerd elektricien om een stopcontact met de correcte spanning en grootte te installeren.
- Zet de stroomschakelaar UIT, trek het stroomsnoer uit en laat de eenheid afkoelen voordat u reinigings-, aanpassings- of onderhoudshandelingen verricht of een storing probeert te verhelpen.
- Het apparaat is niet weerbestendig. Gebruik het apparaat alleen binnenshuis op een plaats waar de omgevingstemperatuur minimaal 21°C bedraagt.
- Trek niet aan het elektrische snoer van het apparaat.
- Gebruik het apparaat niet langer wanneer het elektrische snoer gerafeld of versleten is.
- Probeer een beschadigd elektrisch snoer niet te herstellen of vervangen. Het snoer moet door Hatco, een erkende Hatco servicevertegenwoordiger of een persoon met vergelijkbare kwalificaties worden vervangen.
- Onderhoud aan en herstellingen van dit apparaat mogen alleen worden uitgevoerd door bevoegd personeel. Als onbevoegd personeel het onderhoud of de herstelling uitvoert kan dat tot elektrische schokken of brandwonden leiden.
- Maak het apparaat niet schoon met stoom en gebruik ook niet al te veel water.
- De constructie van dit apparaat is niet bestand tegen hogedrukspuiten. Gebruik geen sprays met een spuitstraal om dit apparaat schoon te maken.
- Steek nooit een mes, vork of vergelijkbaar voorwerp in de roosterkamer.
- Til de toaster niet op door uw vingers in de sleuven van de toaster te steken en de verwarmingselementen vast te nemen.
- Maak het apparaat niet schoon als het onder stroom staat of nog warm is.
- Laat geen vloeistoffen in het apparaat lopen.
- Gebruik alleen authentieke Hatco vervangingsonderdelen als het apparaat moet worden hersteld. Als geen authentieke Hatco vervangingsonderdelen worden gebruikt kunnen de gebruikers van het apparaat aan gevaarlijke elektrische spanning worden blootgesteld met elektrische schokken of brandwonden tot gevolg. Authentieke Hatco vervangingsonderdelen zijn specifiek ontworpen om veilig te werken in de omgevingen waarin ze worden gebruikt. Sommige niet-authentieke of generieke vervangingsonderdelen hebben niet de vereiste eigenschappen om veilig te kunnen werken in apparaten van Hatco.

! WAARSCHUWING

BRANDGEVAAR:

- Plaats het apparaat op ten minste 25 mm afstand van brandbare wanden en materialen. Als de veiligheidsafstand niet wordt gerespecteerd kan ontbranding of verkleuring optreden.
- Leg niets op de toaster. Plaats de toaster niet in de buurt van of onder gordijnen of andere brandbare materialen. Voorwerpen in de buurt van of op de toaster kunnen in brand schieten en letsels en/of schade aan de toaster veroorzaken.

ONTPLOFFINGSGEVAAR: Benzine of andere ontvlambare dampen of vloeistoffen mogen niet in de buurt van dit of een ander apparaat worden opgeslagen of gebruikt.

In geval van brand trekt u onmiddellijk de stekker van de toaster uit het stopcontact. Dan kan het apparaat afkoelen waardoor de brand gemakkelijker en veiliger kan worden gedoofd.

Dit apparaat is niet bestemd voor gebruik door kinderen of personen met beperkte lichamelijke, gevoels- of mentale capaciteiten. Zorg voor een goede toezicht en houd kinderen uit de buurt van het apparaat.

Bedien dit apparaat niet met een externe timer of afstandbedieningssysteem.

Onderhoud aan en herstellingen van dit apparaat mogen alleen worden uitgevoerd door bevoegd personeel. Als onbevoegd personeel het onderhoud of de herstelling uitvoert kan dat tot elektrische schokken of brandwonden leiden.

Dit apparaat bevat geen onderdelen die door de gebruiker kunnen worden vervangen. Als het apparaat moet worden hersteld neemt u contact op met een erkend Hatco servicevertegenwoordiger of de Hatco serviceafdeling op het nummer +1-414-671-6350; fax +1-414-671-3976.

! VOORZICHTIG

GEVAAR VOOR BRANDWONDEN:

- Sommige oppervlakken aan de buitenkant van het apparaat worden heet. Wees voorzichtig wanneer u deze oppervlakken aanraakt.
- Verwijder voor het schoonmaken de kruimellade niet uit het apparaat voordat de toaster is afgekoeld.

Plaats het apparaat op een hoogte en een plaats waar er gemakkelijk mee kan worden gewerkt. Het oppervlak moet waterpas zijn om te voorkomen dat het apparaat of de inhoud ervan per ongeluk zou vallen en moet sterk genoeg zijn om het gewicht van het toestel en de inhoud te kunnen dragen.

Gebruik de toaster nooit zonder dat de kruimellade is aangebracht.

Het roosteren van producten met beleg of boter zoals knoflookbroodjes, tosti's en zoete broodjes wordt NIET aanbevolen. Door de residuen worden de prestaties van de toaster minder en kan mogelijk brand in de toaster ontstaan. Als u de hierboven genoemde producten in de toaster roostert vervalt de garantie op het apparaat.

ATTENTIE

Leg het apparaat niet op de zijkant met de bedieningselementen want anders kan het apparaat beschadigd raken.

Als het apparaat in water wordt ondergedompeld of met water wordt doordrenkt, wordt het apparaat beschadigd en is de productgarantie nietig.

ATTENTIE

Gebruik uitsluitend niet-schurende schoonmaakmiddelen. Schurende schoonmaakmiddelen kunnen krassen op de finish van het apparaat veroorzaken die ontsierend zijn en tot vuilophoping leiden.

Dit apparaat is uitsluitend bedoeld voor commercieel gebruik, NIET voor huishoudelijk gebruik.

MODELBESCHRIJVING**Alle Modellen**

Alle Toast-Max™ elektrische toasters met transportband zijn snel, betrouwbaar en veelzijdig; ze kunnen tot 300 sneetjes brood of broodjes per uur roosteren. Door de afvoer aan de voor- of achterkant kan de gebruiker de Toast-Max toaster plaatsen waar dit het beste uitkomt.

Elke Toast-Max toaster heeft duurzame, met metaal beklede verwarmingsspiralen, een permanent gesmeerde transportbandmotor en een toastkeuzeschakelaar met vier standen. Elk apparaat wordt geleverd met 102 mm lange instelbare poten, een voedingsoploopstuk, verwijderbare kruimelschaal en verzamelpan.

Model TM-5

Model TM-5 kan broodproducten tot 38 mm dik en 245 mm breed roosteren. De capaciteit is maximaal 180 sneetjes per uur.

Model TM-5H

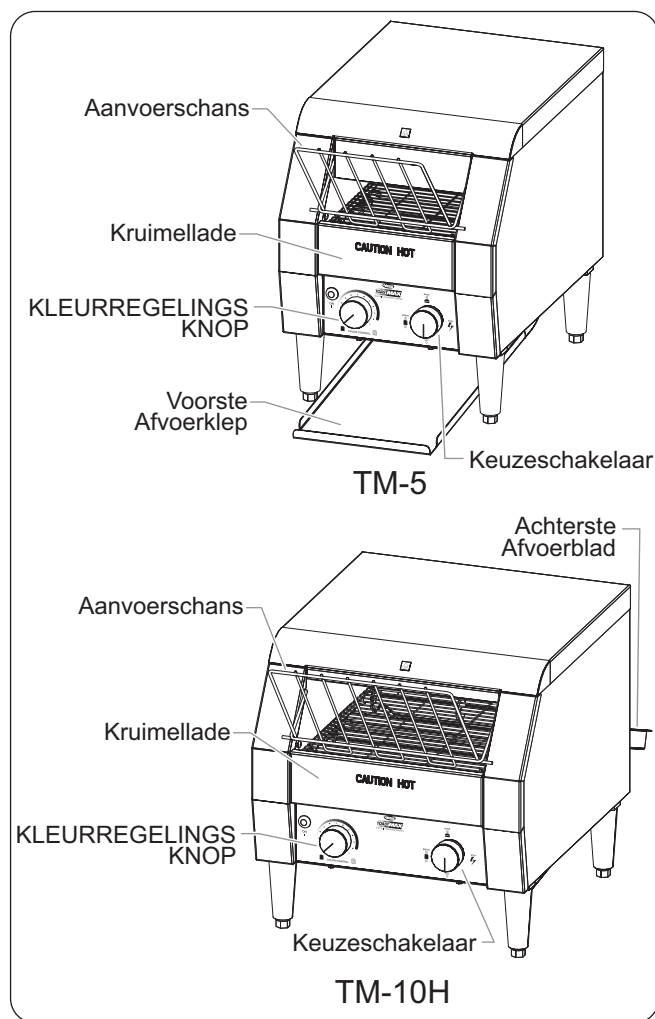
Model TM-5H kan broodproducten tot 64 mm dik en 245 mm breed roosteren. De capaciteit is maximaal 180 sneetjes per uur.

Model TM-10

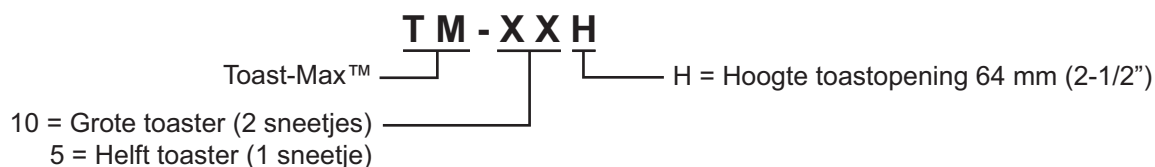
Model TM-10 kan broodproducten tot 38 mm dik en 245 mm breed roosteren. De capaciteit is maximaal 300 sneetjes per uur.

Model TM-10H

Model TM-10H kan broodproducten tot 64 mm dik en 245 mm breed roosteren. De capaciteit is maximaal 300 sneetjes per uur.



Modellen TM-5 en TM-10H

MODELAANDUIDING

SPECIFICATIES

NL

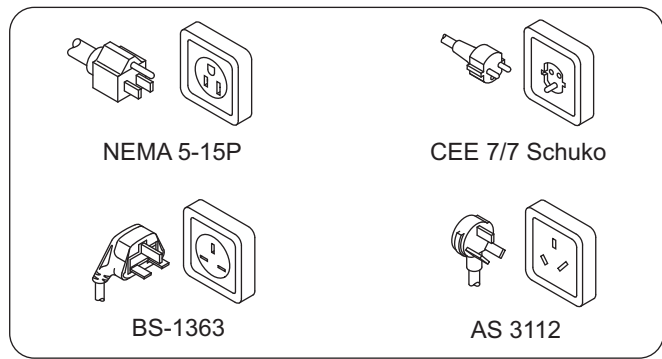
Stekkerconfiguraties

De apparaten worden met een op de fabriek geïnstalleerd elektriciteits snoer met stekker geleverd. Stekkers worden geleverd volgens de toepassingen.

⚠ WAARSCHUWING

GEVAAR VOOR ELEKTRISCHE SCHOKKEN: Steek de stekker van het apparaat alleen in een naar behoren geaard stopcontact met de correcte spanning, grootte en stekkerconfiguratie. Als de stekker en het stopcontact niet passen, neemt u contact op met een gekwalificeerd elektricien om een stopcontact met de correcte spanning en grootte te installeren.

OPMERKING: Het label met de specificaties bevindt zich aan de zijkant van de eenheid. Raadpleeg het etiket voor het serienummer en voor verificatie van de elektrische vereisten van het model.



Stekkerconfiguraties

OPMERKING: Stopcontact niet door Hatco geleverd.

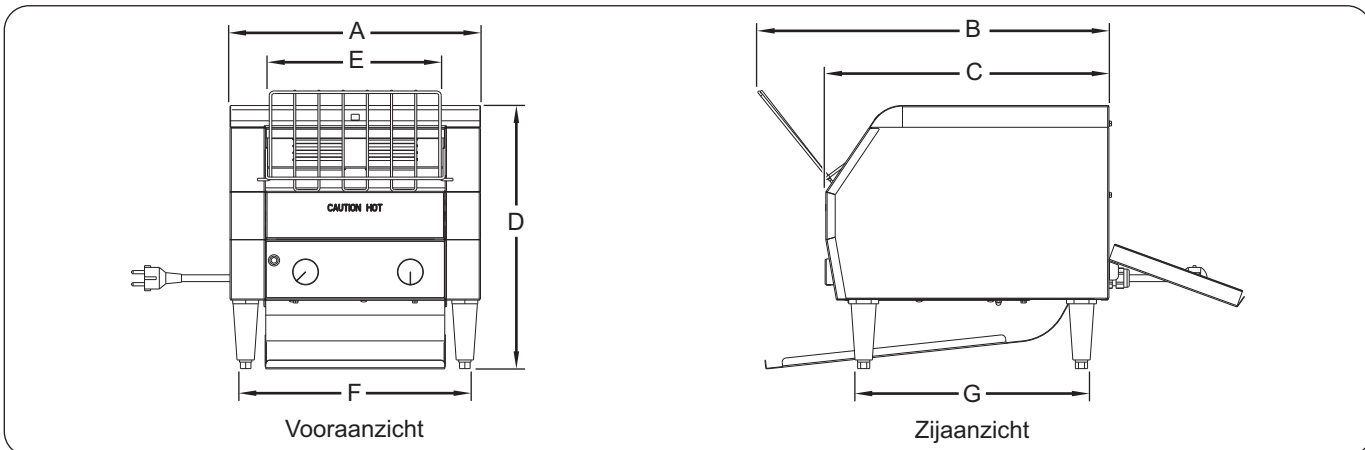
Tabel met elektrische gegevens

Model	Spanning	Hertz	Watts	Ampère	Stekkerconfiguratie	Verzendgewicht
TM-5	220–240 (CE)	50/60	1340–1595	6.1–6.6	CEE 7/7 Schuko, BS-1363, or AS 3112	16 kg (36 lbs.)
TM-5H	100	50/60	1340	13.4	NEMA 5-15	16 kg (36 lbs.)
	120	50/60	1340	11.2	NEMA 5-15	16 kg (36 lbs.)
	220–240 (CE)	50/60	1340–1595	6.1–6.6	CEE 7/7 Schuko, BS-1363, or AS 3112	16 kg (36 lbs.)
TM-10	220–240 (CE)	50/60	1940–2300	8.8–9.6	CEE 7/7 Schuko, BS-1363, or AS 3112	19 kg (41 lbs.)
TM-10H	120	50/60	1790	14.9	NEMA 5-15	19 kg (41 lbs.)
	220–240 (CE)	50/60	1940–2300	8.8–9.6	CEE 7/7 Schuko, BS-1363, or AS 3112	19 kg (41 lbs.)

Afmetingen

Model	Breedte (A)	Totale Diepte (B)*	Eenheid Diepte (C)	Hoogte (D)	Kamer Breedte (E)	Breedte tussen buitenkant pootjes (F)	Diepte tussen buitenkant pootjes (G)
TM-5 e TM-5H	290 mm (11-7/16")	523 mm (20-5/8")	419 mm (16-1/2")	387 mm (15-1/4")	186 mm (7-3/8")	260 mm (10-1/4")	336 mm (13-1/4")
TM-10 e TM-10H	368 mm (14-1/2")	520 mm (20-1/2")	419 mm (16-1/2")	387 mm (15-1/4")	264 mm (10-3/8")	338 mm (13-3/8")	336 mm (13-1/4")

* Voeg 195 mm (7-3/4") toe aan de totale diepte (B) voor eenheden uitgerust met een achterste afvoerlepel.



Algemeen

De Toaster wordt met alle onderdelen voormonteerd verzonden. Bij het uitpakken van de verzenddoos dient men voorzichtig te zijn om beschadiging van het apparaat en de onderdelen te voorkomen.

⚠ WAARSCHUWING

GEVAAR VOOR ELEKTRISCHE SCHOKKEN: Het apparaat is niet weerbestendig. Gebruik het apparaat alleen binnenshuis op een plaats waar de omgevingstemperatuur minimaal 21°C bedraagt.

ONTPLOFFINGSGEVAAR: Benzine of andere ontvlambare dampen of vloeistoffen mogen niet in de buurt van dit of een ander apparaat worden opgeslagen of gebruikt.

BRANDGEVAAR:

- Leg niets op de toaster. Plaats de toaster niet in de buurt van of onder gordijnen of andere brandbare materialen. Voorwerpen in de buurt van of op de toaster kunnen in brand schieten en letsels en/of schade aan de toaster veroorzaken.
- Plaats het apparaat op ten minste 25 mm afstand van brandbare wanden en materialen. Als de veiligheidsafstand niet wordt gerespecteerd kan ontbranding of verkleuring optreden.

1. Haal het apparaat uit de doos.

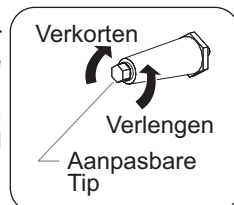
OPMERKING: Om vertraging bij een garantiedekking te vermijden, vult u het best de online garantieregistratie in. Zie het hoofdstuk BELANGRIJKE GEBRUIKERSINFORMATIE voor meer informatie.

2. Haal de tape en beschermende verpakking van alle oppervlakken van het apparaat.

3. Plaats het apparaat op de gewenste plaats.

- Plaats het apparaat in een ruimte waar de omgevingstemperatuur constant is en minstens 21°C bedraagt. Vermijd ruimten waar er veel luchtbeweging of toch is (bv.: naast afzuigventilatoren/afzuigkappen en airconditioningleidingen).
- Zorg ervoor dat het apparaat op een hoogte en een plaats staat waar er gemakkelijk mee kan worden gewerkt.
- Zorg ervoor dat het oppervlak waar het apparaat op rust waterpas staat en sterk genoeg is om het gewicht van het apparaat en de voedingswaren te kunnen dragen.
- Zorg ervoor dat alle pootjes op de onderkant van het apparaat stevig op het dragende oppervlak rusten.

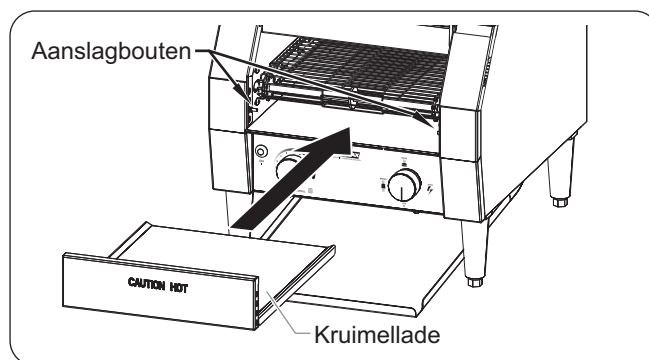
4. Plaats de eenheid waterpas door zo nodig aan het verstelbare uiteinde van elke poot te draaien. Gebruik een open steeksleutel van 16 mm (5/8") om de eenheid waterpas te plaatsen.



5. Installeer de kruimellade.

- Positioneer de kruimellade juist onder de aanslagbouten onder de transportband aan de voorkant van de toaster.
- Schuif de kruimellade in de toaster totdat de voorkant van de kruimellade de aanslagbouten raakt.

6. Installeer de voorste afvoerlep of achterste afvoerlep op de achterkant van de eenheid. Raadpleeg de procedure "Installatie voorste of achterste afvoer" in dit gedeelte.



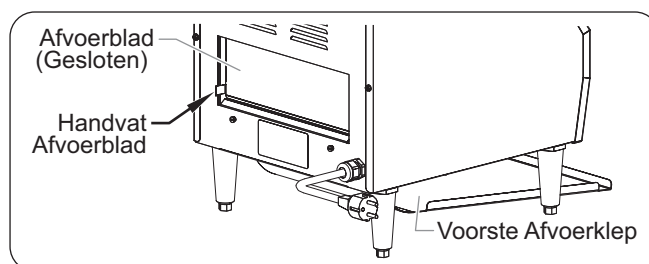
De kruimellade installeren

Installatie voorste of achterste afvoer

Toast-Max apparaten kunnen zodanig opgesteld worden dat het product ofwel aan de voorkant ofwel aan de achterkant wordt afgevoerd.

Voor de voorste afvoer:

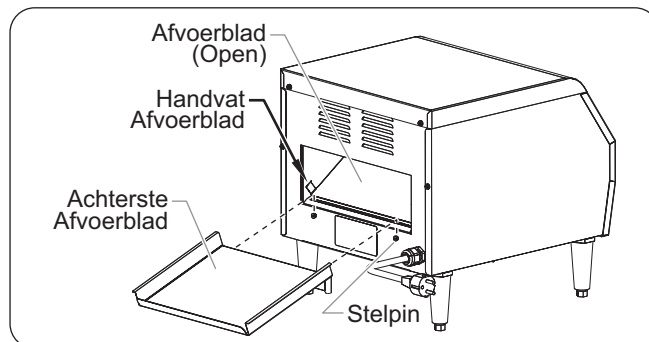
1. Schuif de voorste afvoerlep onder de toaster.
2. Buig het gekromde uiteinde van de lep lichtjes omhoog om de rand van de lep over de achterste pinnen te plaatsen (een aan elke kant).
3. Trek het afvoerblad dicht zodat het in de gesloten positie staat.



Voorste afvoer (achteraanzicht)

Voor de achterste afvoer:

1. Verwijder de voorste afvoer indien die geïnstalleerd is.
2. Plaats de inkepingen van de achterste afvoerlade over de twee stelpinnen en laat zakken.
3. Duw het afvoerblad open zodat het rust op de pinnen in de eenheid.



Achterste afvoer (achteraanzicht)

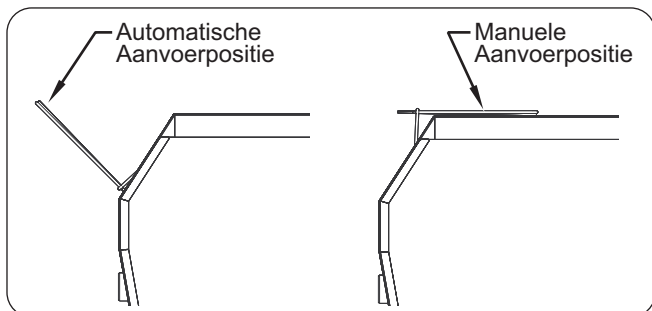
Algemeen

De Hatco Toast-Max™ elektrische toasters is ontworpen om gemakkelijk te kunnen worden bediend. Ga op de volgende manier te werk om de toaster te bedienen.

⚠ WAARSCHUWING

Lees alle veiligheidsvoorschriften onder **BELANGRIJKE VEILIGHEIDSINFORMATIE** voor u dit apparaat bedient.

1. Steek de stekker in een geaard stopcontact van de juiste spanning en grootte, en met de juiste stekkerconfiguratie. Zie SPECIFICATIES voor details.
2. Plaats de aanvoerschans in de gewenste positie.
 - Voor automatische aanvoer plaatst u de aanvoerschans in de automatische aanvoerpositie. Broodproducten dringen de toaster binnen door ze op de aanvoerschans te plaatsen en los te laten.
 - Voor manuele aanvoer draait u de aanvoerschans totdat hij op de bovenkant van de eenheid rust. Broodproducten kunnen manueel geladen worden door ze rechtstreeks op de transportband te plaatsen.



Aanvoerschans

3. Plaats de keuzeschakelaar in de gewenste toastinstelling.
 - Om beide zijden van het brood te toosten, plaatst u de keuzeschakelaar in de BROOD-positie.
 - Om enkel de bovenzijde van het brood te toosten, plaatst u de keuzeschakelaar in de BAGEL-positie.

OPMERKING : Het indicatielampje stroom AAN (I) licht op nadat de toastkeuze gemaakt is.

4. Zet de kleurregeling op de lichtste stand terwijl het apparaat opwarmt.

OPMERKING: Laat het apparaat ca. 15 à 20 minuten opwarmen.

⚠ VOORZICHTIG

GEVAAR VOOR BRANDWONDEN: Sommige oppervlakken aan de buitenkant van het apparaat worden heet. Wees voorzichtig wanneer u deze oppervlakken aanraakt.

5. Zet de kleurregeling na de opwarmperiode op de middelhoge stand en rooster twee sneetjes brood; stel de kleurregeling vervolgens in op de gewenste stand.

OPMERKING: Om vochtige producten zoals English Muffins, roggebrood of volkorenbrood te roosteren, verlaagt u de snelheid van de transportband door de kleurregelknop op een donkerdere stand te plaatsen (met de klok mee).

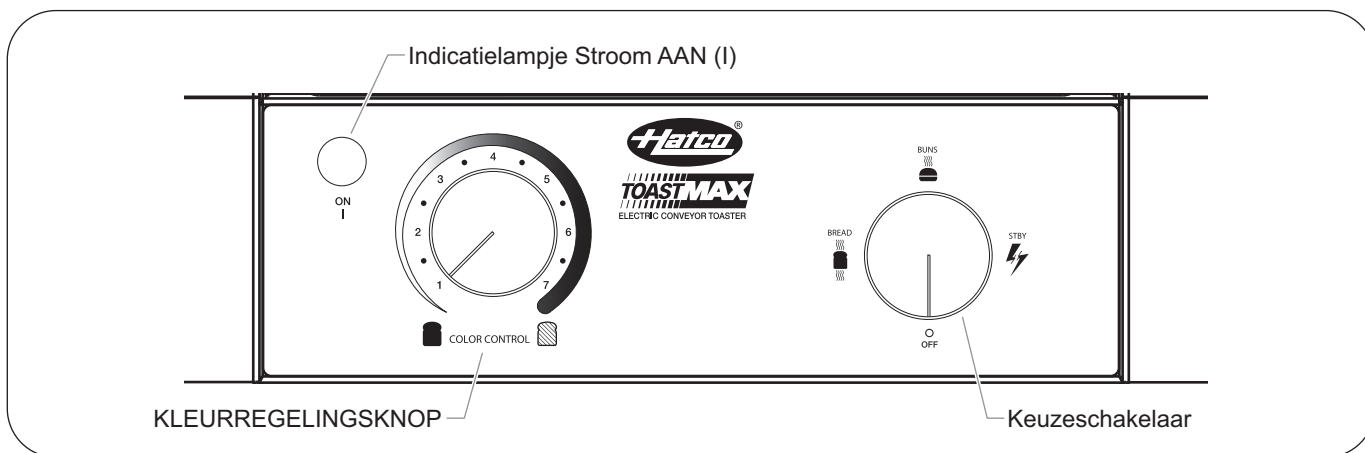
Alle toasters van de TM-serie kunnen in een energiespaarstand geplaatst worden door de keuzeschakelaar op stand-by te zetten. In de energiebesparende stand werkt de toaster op 25% vermogen.

OPMERKING: Om de toaster weer op volle kracht te laten werken, plaatst u de keuzeschakelaar in de stand voor sneetjes brood of broodjes. Het apparaat is binnen 5 minuten weer klaar om te roosteren.

⚠ VOORZICHTIG

Gebruik de toaster nooit zonder dat de kruimellade is aangebracht.

Het roosteren van producten met beleg of boter zoals knoflookbroodjes, tosti's en zoete broodjes wordt **NIET** aanbevolen. Door de residuen worden de prestaties van de toaster minder en kan mogelijk brand in de toaster ontstaan. Als u de hierboven genoemde producten in de toaster roostert vervalt de garantie op het apparaat.



Controlebord

Algemeen

De Pop-Up Toaster werd ontworpen voor maximale duurzaamheid en optimale prestaties met een minimum aan onderhoud.

WAARSCHUWING

GEVAAR VOOR ELEKTRISCHE SCHOKKEN:

- Zet de stroomschakelaar UIT, trek het stroom snoer uit en laat de eenheid afkoelen voordat u reinigings-, aanpassings- of onderhoudshandelingen verricht of een storing probeert te verhelpen.
- Dompel het apparaat NIET onder en maak het ook NIET kletsnat. Het apparaat is niet waterbestendig. Gebruik het apparaat niet als het onder werd gedompeld of erg nat werd gemaakt.
- Maak het apparaat niet schoon met stoom en gebruik ook niet al te veel water.
- De constructie van dit apparaat is niet bestand tegen hogedruksputten. Gebruik geen sprays met een spuitstraal om dit apparaat schoon te maken.
- Maak het apparaat niet schoon als het onder stroom staat of nog warm is.
- Laat geen vloeistoffen in het apparaat lopen.
- Gebruik alleen authentieke Hatco vervangingsonderdelen als het apparaat moet worden hersteld. Als geen authentieke Hatco vervangingsonderdelen worden gebruikt kunnen de gebruikers van het apparaat aan gevaarlijke elektrische spanning worden blootgesteld met elektrische schokken of brandwonden tot gevolg. Authentieke Hatco vervangingsonderdelen zijn specifiek ontworpen om veilig te werken in de omgevingen waarin ze worden gebruikt. Sommige niet-authentieke of generieke vervangingsonderdelen hebben niet de vereiste eigenschappen om veilig te kunnen werken in apparaten van Hatco.

Dit apparaat bevat geen onderdelen die door de gebruiker kunnen worden vervangen. Als het apparaat moet worden hersteld neemt u contact op met een erkend Hatco servicevertegenwoordiger of de Hatco serviceafdeling op het nummer +1-414-671-6350; fax +1-414-671-3976.

Reinigen

Om de afwerking van de toaster te behouden, wordt aanbevolen de metalen oppervlakken dagelijks met een vochtige doek af te nemen.

ATTENTIE

Gebruik uitsluitend niet-schurende schoonmaakmiddelen. Schurende schoonmaakmiddelen kunnen krassen op de finish van het apparaat veroorzaken die ontsierend zijn en tot vuilophoping leiden.

Als het apparaat in water wordt ondergedompeld of met water wordt doordrenkt, wordt het apparaat beschadigd en is de productgarantie nietig.

1. De kruimellade uit de toaster halen en legen.

VOORZICHTIG

Verwijder niet het kruimellade voor het schoonmaken tot de toaster koud is.

2. De kruimellade met warm water en een zacht reinigingsmiddel wassen, met water afspoelen.
 - De kruimellade aan de lucht laten drogen alvorens hem weer in de toaster te plaatsen.
3. Verwijder en reinig de voorste afvoerlepel of achterste afvoerlepel met een mild detergens. Spoel met water.
 - Laat de voorste afvoerlepel of achterste afvoerlepel aan de lucht voordat u ze terugplaatst.
4. De buitenkant van de toaster met een vochtige doek afnemen. **ATTENTIE: Gebruik uitsluitend niet-schurende schoonmaakmiddelen.**
5. Verwijder en reinig de aanvoerschans van de toaster.
 - a. Duw de twee draadspaken in en til omhoog om de aanvoerschans van de toaster te verwijderen.
 - b. Veeg schoon met een zachte, vochtige doek of dompel de schans onder in een milde oplossing van 1 kopje (227 ml) ammoniak en 3,785 l water.
 - c. Plaats de draadspaken ter hoogte van de gaten in de toaster om de schans opnieuw te installeren.

OPMERKING: De motor van de transportband en het transportsysteem zijn permanent gesmeerd en dienen niet gesmeerd te worden.

⚠ WAARSCHUWING

Onderhoud aan en herstellingen van dit apparaat mogen alleen worden uitgevoerd door bevoegd personeel. Als onbevoegd personeel het onderhoud of de herstelling uitvoert kan dat tot elektrische schokken of brandwonden leiden.

⚠ WAARSCHUWING

GEVAAR VOOR ELEKTRISCHE SCHOKKEN: Zet de stroomschakelaar **UIT**, trek het stroomsnoer uit en laat de eenheid afkoelen voordat u reinigings-, aanpassings- of onderhoudshandelingen verricht of een storing probeert te verhelpen.

Symptoom	Mogelijke Oorzaak	Corrigerende Maatregel
Toast te licht.	De "COLOR CONTROL" kleurkeuzetimerknop is op een lichte stand gezet.	Zet de "COLOR CONTROL" kleurkeuzetimerknop op een donkerdere stand.
	Eenheid niet opgewarmd. De toaster heeft tijd nodig om op te warmen wanneer hij voor het eerst ingeschakeld wordt.	Laat de eenheid ongeveer 15 tot 20 minuten opwarmen.
	Toevoerspanning aan apparaat is te laag.	Controleren of de voedingsspanning van de toaster overeenkomt met de specificaties van het apparaat.
Toast te donker.	De "COLOR CONTROL" kleurkeuzetimerknop is op een donkere stand gezet.	Zet de "COLOR CONTROL" kleurkeuzetimerknop op een lichtere stand.
	Toevoerspanning aan apparaat is te hoog.	Controleren of de voedingsspanning van de toaster overeenkomt met de specificaties van het apparaat.
De toast wordt maar aan één kant geroosterd.	De keuzeschakelaar staat in de BAGEL-positie (eenzijdig toasten).	Plaats de keuzeschakelaar in de BROOD-positie (tweezijdig toasten).
	Verwarmingselement defect.	Als het element niet gloeit, neemt u contact op met een erkend servicevertegenwoordiger of met Hatco voor assistentie.
De toaster activeert de stroomonderbreker of aardlekschakelaar.	Stroomonderbreker heeft niet de juiste capaciteit voor de toaster.	Controleren of de stroomonderbreker de juiste capaciteit heeft.
	Bedradingsfout in de toaster.	Neem contact op met een erkend servicevertegenwoordiger of met Hatco voor assistentie.

1. PRODUCTGARANTIE

Hatco garandeert dat de producten die zij vervaardigt (de "Producten") vrij zijn van materiaalfouten bij normaal gebruik en onderhoud, gedurende de periode van één (1) jaar vanaf de aankoopdatum als ze geïnstalleerd en onderhouden worden in overeenstemming met de schriftelijke instructies van Hatco of gedurende 18 maanden na datum van verzending door Hatco. De koper van het product moet de aankoopdatum valideren door het product te registreren bij Hatco of door andere bevredigende middelen naar Hatco's eigen goeddunken.

Hatco garandeert dat de volgende productonderdelen vrij zijn van defecten in materialen vanaf de aankoopdatum (onderhevig aan de voorafgaande voorwaarden) voor de periode(n) in overeenstemming met de voorwaarden die hieronder worden gespecificeerd:

a) Twee (2) jaar garantie op onderdelen:

- Elementen bandtoaster (bekleed met metaalplaten)
- Schuifverwarmingselementen (metalen bekleding)
- Schuifverwarmer schuifrollers en glijdingen
- Elementen van verwarmingsstrip (metalen bekleding)
- Uitstalverwarmingselementen (luchtverwarming met metalen bekleding)
- Elementen van het wachtcabinet (luchtverwarming met metalen bekleding)
- Ingebouwde elementen van warmhoudketel — HWB-serie (met metalen bekleding)

b) Eén jaar (1) garantie op onderdelen en uurloon PLUS vier (4) jaar garantie uitsluitend op onderdelen met inachtneming van pro-ratabepalingen die Hatco aan de Koper toelicht indien de Koper daarom verzoekt:

3CS- en FR-tanks

c) Tien (10) jaar garantie op onderdelen:

- Extra elektrische boilers
- Extra gasboilers

d) Negentig (90) dagen garantie op onderdelen:

- Vervangingsonderdelen

DE VOORAFGAANDE GARANTIES ZIJN EXCLUSIEF EN VERVANGEN ALLE ANDERE GARANTIES, OFWEL UITDRUKKELIJK OF GEÏMPLICEERD, MET INBEGRIJ VAN, MAAR NIET BEPERKT TOT, ENIGE GEÏMPLICEERDE GARANTIE VAN VERKOOPBAARHEID, OF GESCHIKTHEID VOOR EEN BEPAALD DOEL, OF OCTROOI, OF ANDERE INBREUK OP INTELLECTUELE EIGENDOMSRECHTEN. Zonder de algemeenheid van het voorafgaande te beperken DEKKEN ZULKE GARANTIES NIET HET VOLGENDE: Gloeilampen met coating, fluorescentielampen, verwarmingspeertjes van lampverwarmer, glazen onderdelen, defecten in aanjagertank, xenongloeilampen, LED-buizen, warmtewisselaar met koelribben of andere waterverwarmingvoorzieningen veroorzaakt door verkalking, de afzetting van sediment, chemische aantasting of bevrozing, misbruik van, het knoeien aan of het verkeerd gebruiken van het Product, verkeerde installatie of het gebruik van een verkeerd voltage.

2. BEPERKING VAN REMEDIES EN SCHADE

De aansprakelijkheid van Hatco en de exclusieve rechtsmiddelen van kopers hieronder zullen enkel en alleen beperkt zijn tot vervanging van onderdelen of productgebruik, naar keuzen van Hatco, nieuwe of opgeknapte onderdelen of producten of een door Hatco geautoriseerd servicebedrijf met betrekking tot enige claims die ingediend worden binnen de toepasselijke garantieperiode waarnaar hierboven verwezen wordt. Hatco behoudt zich het recht voor om elke dergelijke vordering geheel of gedeeltelijk te aanvaarden of te verwerpen. In de context van deze beperkte garantie betekent "opgewerkt" een onderdeel of Product dat door Hatco of een door Hatco erkend serviceagentschap terug volgens de originele specificaties is ingesteld. Hatco aanvaardt geen geretourneerde Producten zonder voorafgaandelijk verkregen schriftelijke toestemming van Hatco, en alle onkosten voor goedgekeurde geretourneerde producten zijn ten laste van de Koper. ONDER GEEN ENKELE OMSTANDIGHEDEN ZAL HATCO AANSPRAKELIJK GESTELD WORDEN VOOR GEVOLGSCHADE OF BIJKOMENDE SCHADE, MET INBEGRIJ VAN, MAAR NIET BEPERKT TOT, ARBEIDSONKOSTEN OF WINSTDERIVING RESULTERENDE VAN HET GEBRUIK VAN OF HET ONVERMOGEN DE PRODUCTEN TE GEBRUIKEN, OF VAN DE PRODUCTEN DIE GEÏNCORPOREERD WORDEN IN OF EEN ONDERDEEL WORDEN VAN ENIG ANDER PRODUCT OF ENIGE ANDERE GOEDEREN.

INFORMATIE OVER GARANTIESERVICE

The garantie voor de Hatco toasters is voor één jaar, beginnende vanaf de dag van de aankoop, of voor een periode van achttien maanden na de verzending door Hatco. de periode die het eerst verstrijkt is van toepassing.

Gelieve het volgende te doen wanneer u binnen de garantieperiode een probleem ondervindt met de voedselverwarmer:

Contacteer uw lokale Hatco Dealer

Wanneer u de Hatco dealer voor onderhoudsondersteuning contacteert, gelieve de dealer de volgende informatie te verschaffen, zodat hij uw probleem snel kan oplossen:

- Model van Apparaat
- Serienummer (Op de zijkant van het Apparaat)
- Het Specifieke Probleem met de Toaster
- Aankoopdatum
- Naam van uw Bedrijf

- Verzendadres
- Naam en Telefoonnummer van Contactpersoon

De Hatco dealer zal het volgende doen:

- Indien nodig, vervangonderdelen geven
- Een garantieclaim bij Hatco indienen.

Problemen buiten de garantie

Als u een probleem hebt buiten de garantie dat ondersteuning vereist, gelieve het dichtstbijzijnde door Hatco geautoriseerd onderhoudsbedrijf te contacteren. Om het dichtstbijzijnde onderhoudsbedrijf te vinden:

- gan naar onze website www.hatcocorp.com, selecteer de Resources menu, en klik op "Find Service Agent/Distributor".
- bel Hatco Service op 414-671-6350.
- e-mail Hatco Service naar partsandservice@hatcocorp.com



HATCO CORPORATION
P.O. Box 340500
Milwaukee, WI 53234-0500 U.S.A.
Telephone (414) 671-6350
International Fax (414) 671-3976
partsandservice@hatcocorp.com
www.hatcocorp.com

Register online!

See IMPORTANT OWNER INFORMATION
for more information.

Registrieren Sie Ihr Gerät online!

Einzelheiten finden Sie im Abschnitt WICHTIGE
BESITZERINFORMATIONEN.

¡Regístrese en línea!

Consulte la sección INFORMACIÓN IMPORTANTE
PARA EL PROPIETARIO para obtener información.

S'inscrire en ligne!

Lisez la section INFORMATIONS IMPORTANTES
POUR LE PROPRIETAIRE *pour plus de informations.*

Registrare l'unità online!

Per i dettagli, consultare la sezione INFORMAZIONI
IMPORTANTI PER IL PROPRIETARIO.

Registreer uw eenheid online!

Zie het hoofdstuk BELANGRIJKE INFORMATIE VOOR
DE EIGENAAR voor de bijzonderheden.