

# Prewash shower Metos WM4023wall-mount.1 handl

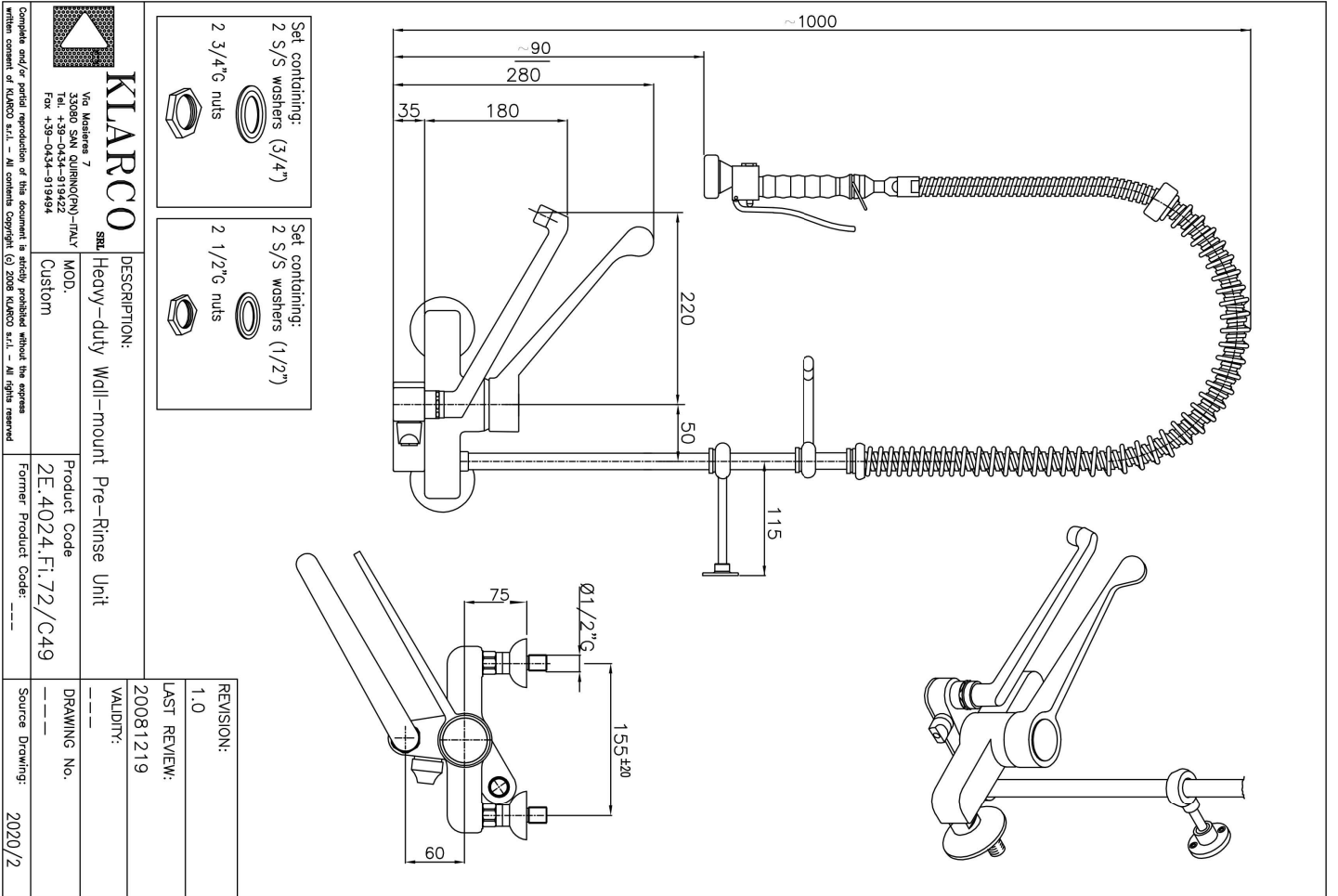
Wall attached prewash sprayer. Starts automatically when the handle is pushed down

- mixer
- running pipe
- installation kit



## Prewash shower Metos WM4023wall-mount.1 handl

Package volume	21.827
Unit of volume	CDM
Package volume	21.827 CDM
Package length	73
Package width	23
Package height	13
Package unit of dimension	cm
Package dimensions (LxWxH)	73x23x13 cm
Net weight	0.01
Net weight	0.01 kg
Gross weight	0.01
Package weight	0.01 kg
Unit of weight	kg
Cold water diam.	1/2"
Cold water min pressure kPa	300
Cold water conn. height mm	1205
Hot water diam.	1/2"
Hot water conn. height mm	1205
Mixer type	1 handle



Set containing:  
2 S/S washers (3/4")  
2 3/4"G nuts

Set containing:  
2 S/S washers (1/2")  
2 1/2"G nuts

**KIARCO**

DESCRIPTION:  
Heavy-duty Wall-mount Pre-Rinse Unit

REVISION:  
1.0  
LAST REVIEW:  
20081219  
VALIDITY:  
---

Via Marella 7  
35080 SAN GIUSEPPE (PD) - ITALY  
Tel. +39-0424-319494  
Fax +39-0424-319494

MOD. Custom  
Product Code 2E.4024.FI.72/C49  
Former Product Code: ---

DRAWING No. ---  
Source Drawing: 2020/2

Complete and/or partial reproduction of this document is strictly prohibited without the express written consent of KIARCO s.r.l. - All contents Copyright (©) 2008 KIARCO s.r.l. - All rights reserved