

## Pre-Wash machine Metos WD-PRM7A, 400V3N~

Hood-type pre-rinse machine. The minimum cold water pressure in the automatic hood lifting system is 300 kPa.

- replaces the manual pre-rinsing that often gives occupational injuries.
- the unique reusing of excess wash water gives significant savings of total amount used water.
- highly effective pre-rinsing and soaking of the wash wares gives improved wash results.
- program starts automatically when basket is detected into machine
- automatic hood lift and closing improves ergonomics and working environment in dishwashing
- noise and heat insulated
- basket size 500x500mm

Optional accessories:

- connection kit between PRM and WD-7A, L=130mm 4246108
- connection kit between PRM and WD-7A, L=300mm 4246109
- connection kit with cabinet between PRM and WD-7A, L=300mm 4246110



## Pre-Wash machine Metos WD-PRM7A, 400V3N~

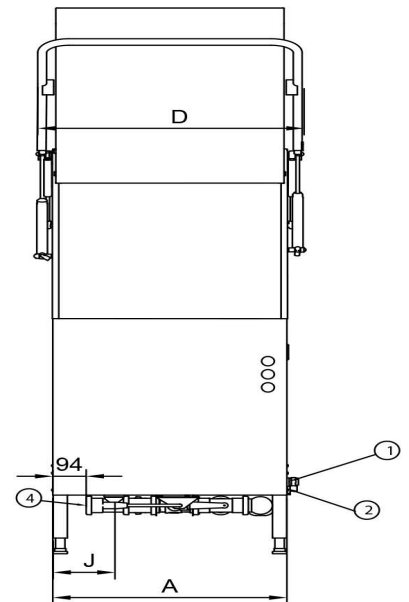
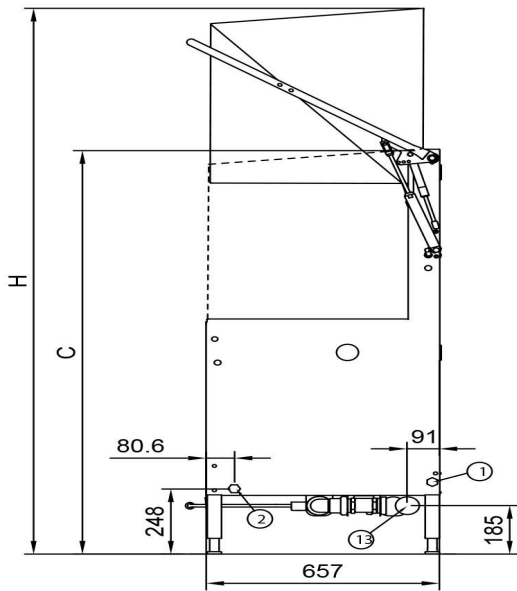
Product capacity	a. 50 racks/hour
Inside measures mm	605x506x505
Item width mm	660/770
Item depth mm	657/720
Item height mm	1540/2080±25
Package volume	1.016
Unit of volume	m3
Package volume	1.016 m3
Package length	76.5
Package width	80.5
Package height	165
Package unit of dimension	cm
Package dimensions (LxWxH)	76.5x80.5x165 cm
Net weight	105
Net weight	105 kg
Gross weight	120
Package weight	120 kg
Unit of weight	kg
Connection power kW	0.9
Fuse Size A	10
Connection voltage V	400
Number of phases	3NPE
Frequency Hz	50
Type of electrical connection	Semifixed
Electrical conn. height mm	570±50
Cold water diam.	R1/2"
Cold water min pressure kPa	300
Drain diameter	50
Drain flow l/s	3

## Pre-Wash machine Metos WD-PRM7A, 400V3N~

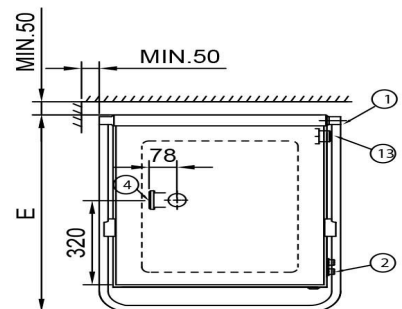
Drain conn. height mm	390
Sound level dB	64
Boiler power kW	9
Power type	electric
Operation type	electrical
Cleaning	hand wash
Washing basket size mm	500x500
Programmability	ready programs;programmable
Amount of programs	1
Program length min	30/45/60
Insulation	insulated
Method of washing	normal wash
Drain pump	No
Automatic hood lift	Yes



**METOS WD PRM-6, WD PRM-7**



- ② R 1/2", PRM6 180 kPa, PRM7 300kPa
- ④ ø50, 3 l/s
- ⑬ FROM DISHWASHER TO PRM, ø50



Metos	A	C	D	E	H	J
WD-PRM6	600	1430	685	707	1900	142
WD-PRM7	660	1540	745	713	2085	172