

Range + drawer Metos Ardox S4/B 400V3N

Flat-top range with four 3,5 kW cooking zones. Chrome-steel top, construction stainless steel

- chrome on the cooking top reduces heat loss
- stepless power regulator
- flat cooking top is easy to clean
- stand with drawer

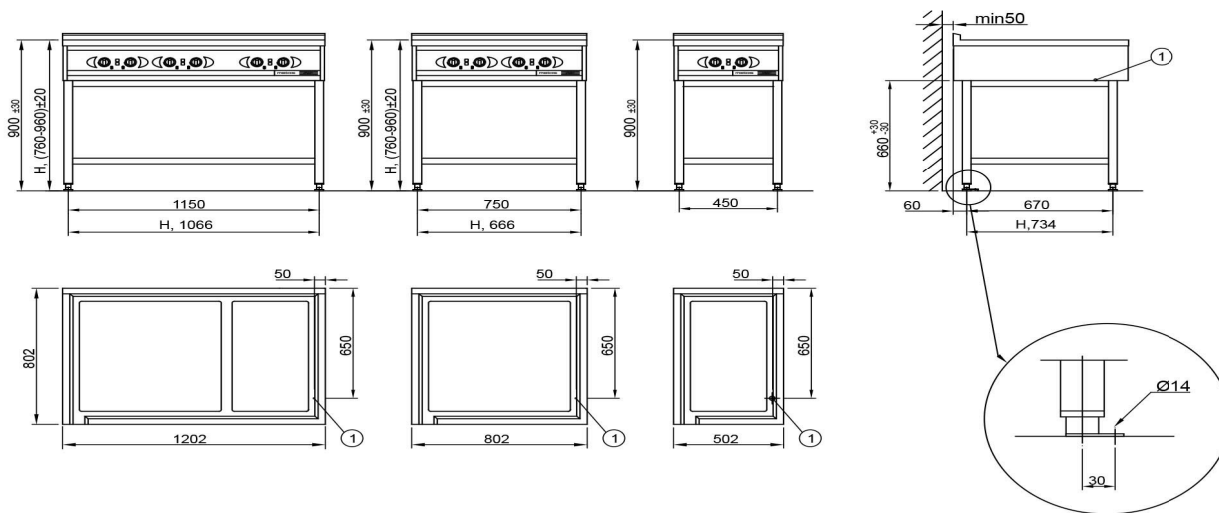
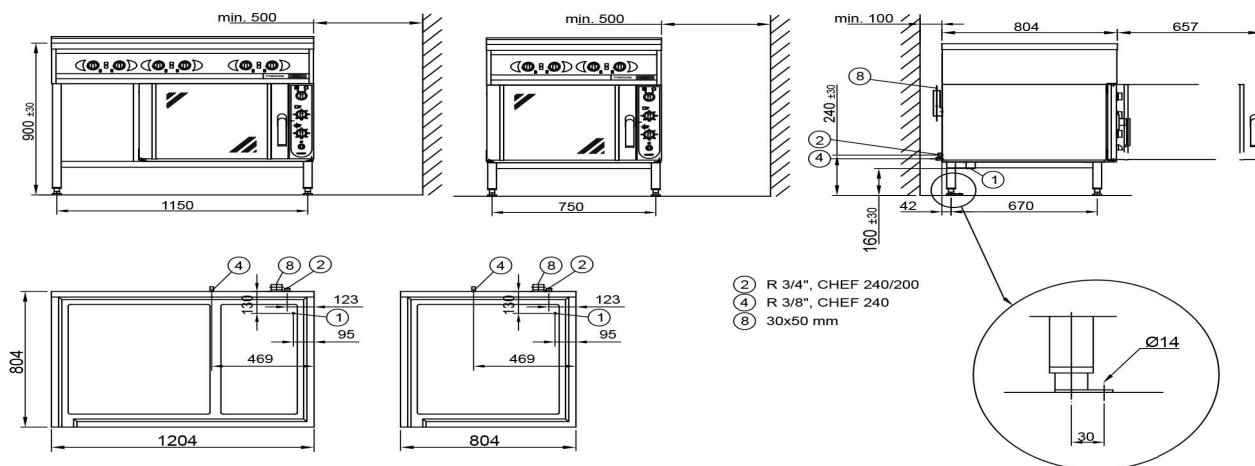


Range + drawer Metos Ardox S4/B 400V3N

Product capacity	4 cooking zones
Item width mm	800
Item depth mm	800
Item height mm	900
Package volume	0.81
Unit of volume	m3
Package volume	0.81 m3
Package length	90
Package width	90
Package height	100
Package unit of dimension	cm
Package dimensions (LxWxH)	90x90x100 cm
Net weight	118
Net weight	118 kg
Gross weight	153
Package weight	153 kg
Unit of weight	kg
Connection power kW	14
Fuse Size A	32
Connection voltage V	400/230
Number of phases	3NPE
Frequency Hz	50
Startup current A	30.6
Protection rating (IP)	X3
Type of electrical connection	Fixed
Electrical conn. height mm	800
Remarks (electrical)	Working current 31A



METOS ARDOX



METOS ARDOX TABLETOP

