

Range Ardox S6/H 400V3N

Flat-top range with six 3,5 kW cooking zones. Chrome-steel top, construction stainless steel

- chrome on the cooking top reduces heat loss
- stepless power regulator
- flat cooking top is easy to clean
- height-adjustable stand, 700-900 mm

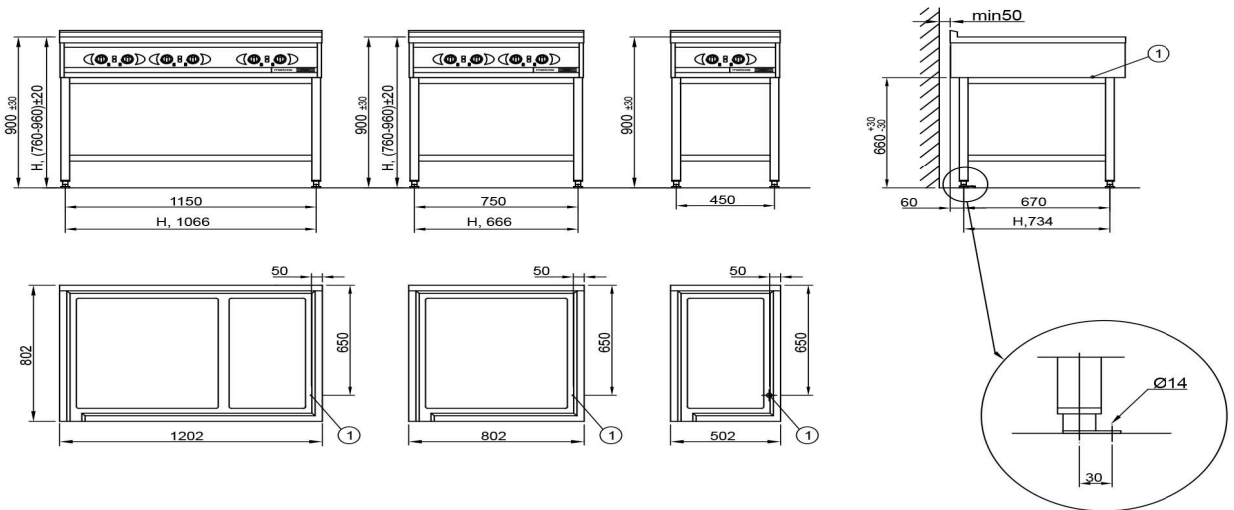
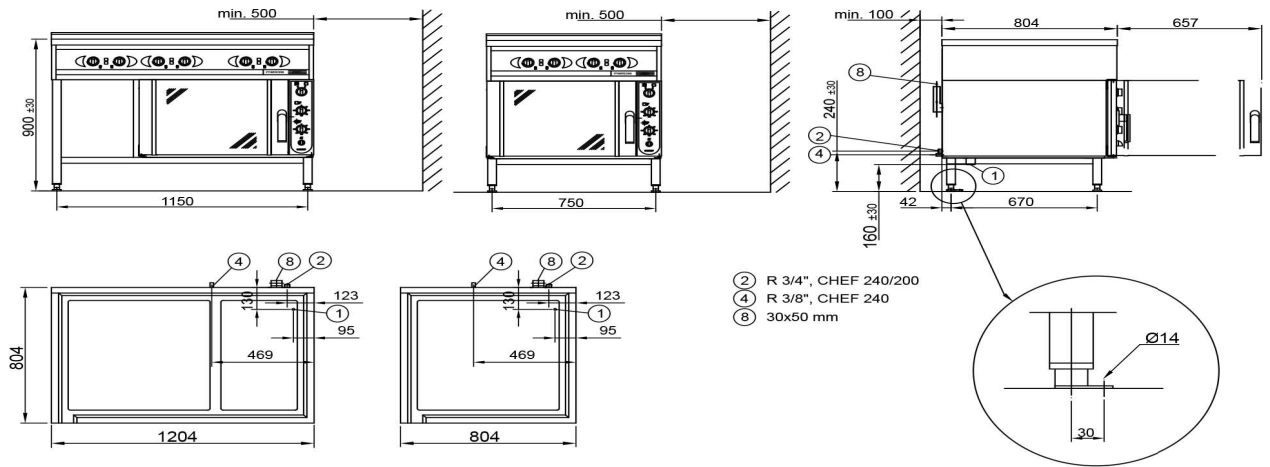


Range Ardox S6/H 400V3N

Product capacity	6 cooking plates
Item width mm	1200
Item depth mm	800
Item height mm	900
Package volume	1.17
Unit of volume	m3
Package volume	1.17 m3
Package length	130
Package width	90
Package height	100
Package unit of dimension	cm
Package dimensions (LxWxH)	130x90x100 cm
Net weight	151
Net weight	151 kg
Gross weight	217
Package weight	217 kg
Unit of weight	kg
Connection power kW	21.1
Fuse Size A	32
Connection voltage V	400/230
Number of phases	3NPE
Frequency Hz	50
Startup current A	30.6
Protection rating (IP)	X3
Type of electrical connection	Fixed
Electrical conn. height mm	800
Remarks (electrical)	Working current 32A



METOS ARDOX



METOS ARDOX TABLETOP

