

Range Metos Ardox S2 Tabletop 400V 3N

Flat-top range to be placed on top of table. Two 3,5 kW cooking zones

- flexible additional cooking capacity
- only 51 cm deep
- chrome-steel top, construction stainless steel
- chrome on the cooking top reduces heat loss
- stepless power regulator, indicator lights
- flat cooking top is easy to clean
- seamless gutter for boil-overs and cleaning waters, drawer collects drain water



Range Metos Ardox S2 Tabletop 400V 3N

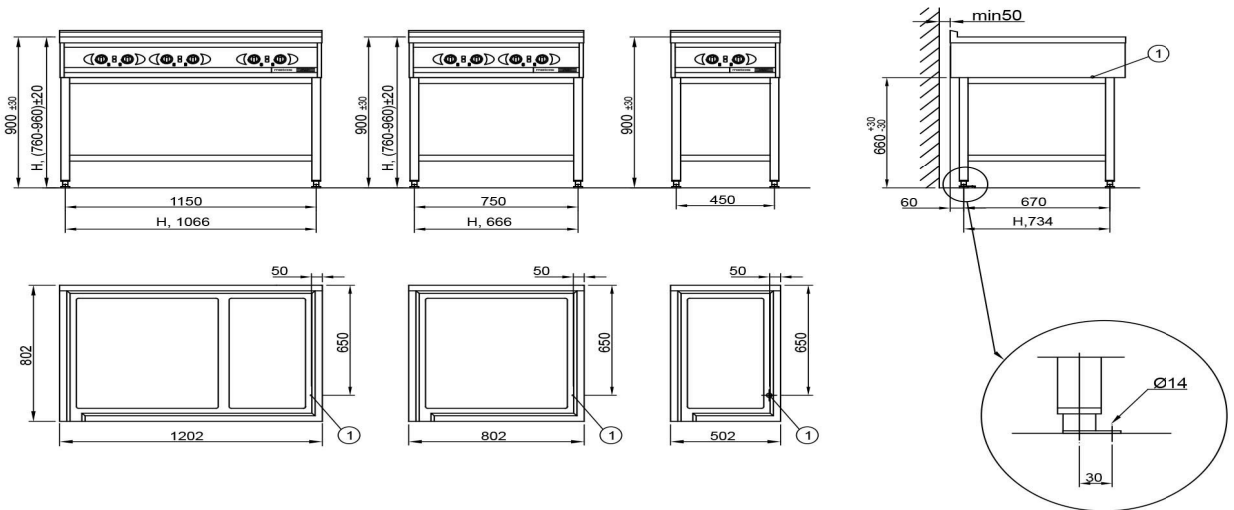
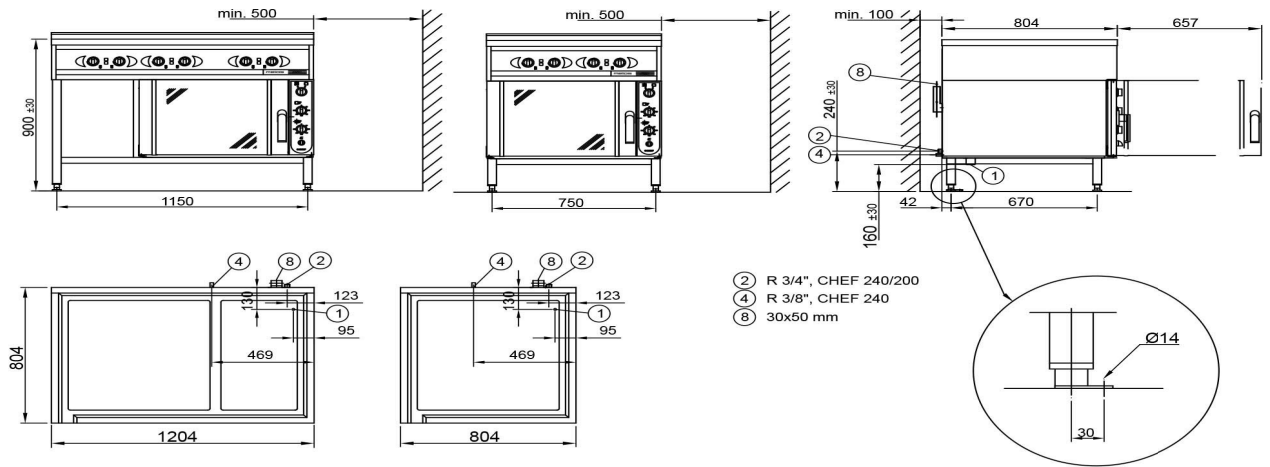
Capacity	800x510x190
Item width mm	800
Item depth mm	510
Item height mm	190
Package volume	0.091
Unit of volume	m3
Package volume	0.091 m3
Package length	82
Package width	53
Package height	21
Package unit of dimension	cm
Package dimensions (LxWxH)	82x53x21 cm
Net weight	55
Net weight	55 kg
Gross weight	75
Package weight	75 kg
Unit of weight	kg
Connection power kW	7
Fuse Size A	16
Connection voltage V	400/230
Number of phases	3NPE
Frequency Hz	50
Startup current A	15.2
Protection rating (IP)	X3
Type of electrical connection	Fixed
Electrical conn. height mm	190
Remarks (electrical)	Working current 16A
Power type	electric
Raw material	Stainless steel

Range Metos Ardox S2 Tabletop 400V 3N

Type	electric
Operation type	electromechanical
Top material type	chrome
Cooking zone	2
Cooking zone power kW	3.5
Power range kW	7
Frying top type	smooth



METOS ARDOX



METOS ARDOX TABLETOP

