

Bratt pan Metos Futura HD 200

The Metos Futura HD 200L frying pan is designed for frying and cooking in large capacity kitchens and is a good choice for demanding use. Two sturdy legs make the pan stable; and motorised tilting, easy cleaning and good safety features make the pan very easy to use. The pan needs to be fixed into the floor.

The Metos Futura HD 200 L frying pan has two frying sections with an adjustable temperature of 50 °C... 250°C. The aluminium core is surrounded by heating elements enabling quick heating of the pan. The frying area is 0.78 m² and its depth is 273 mm. Four GN1/1 dishes may be placed on the bottom of the frying pan. Double walls ensure good insulation.

The frying pan is equipped with motorised tilting. The tilting function cannot be used when the lid is on, or when the pan is being filled with water. The tilt angle for emptying the pan is 68° and the largest tilt angle is 90°. The distance between the pan's pouring spout and the floor is 570 mm (with a tilt angle of 68°).

- temperature of the two frying sections can be adjusted individually
- balanced and insulated cover
- continuous and seamless stainless steel frying surface
- stainless steel structure
- elevated control panel in the right foot
- electromechanical control
- emergency stop switch
- overheating protection

OPTIONS

- water filling tap
- hand shower

ACCESSORIES (ordered separately)

- strainer plate



Bratt pan Metos Futura HD 200

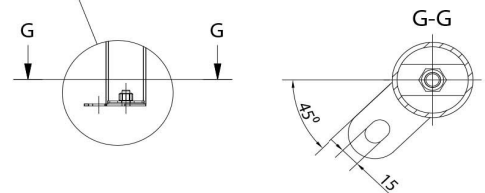
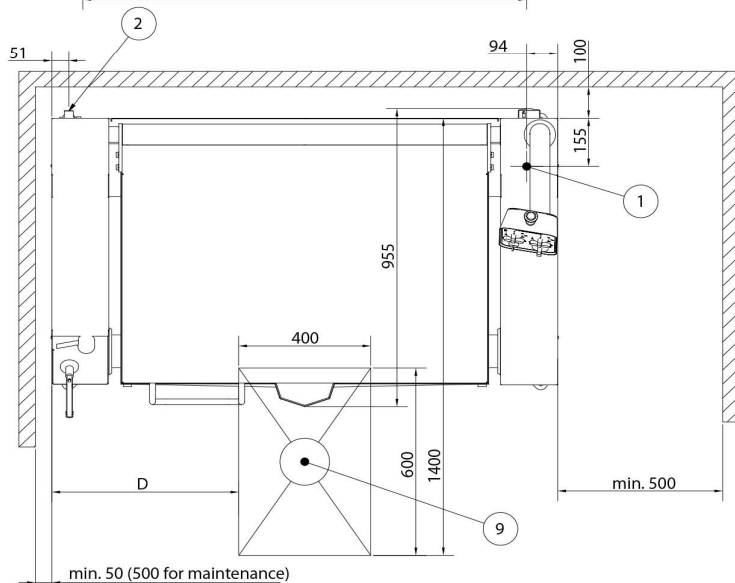
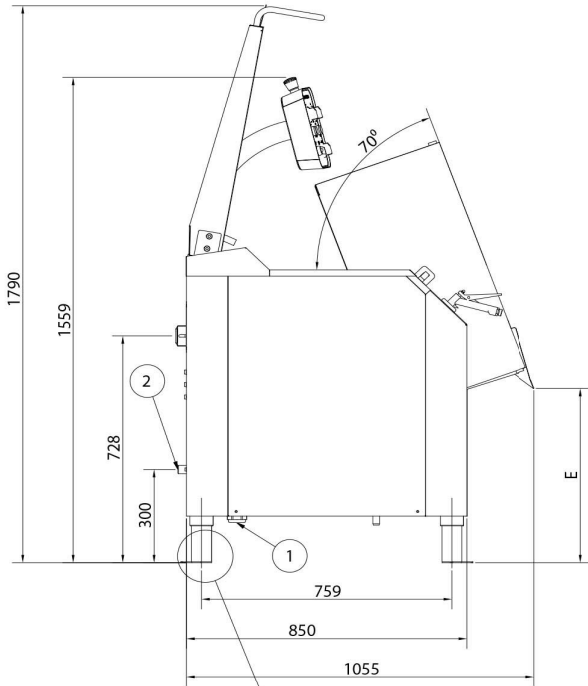
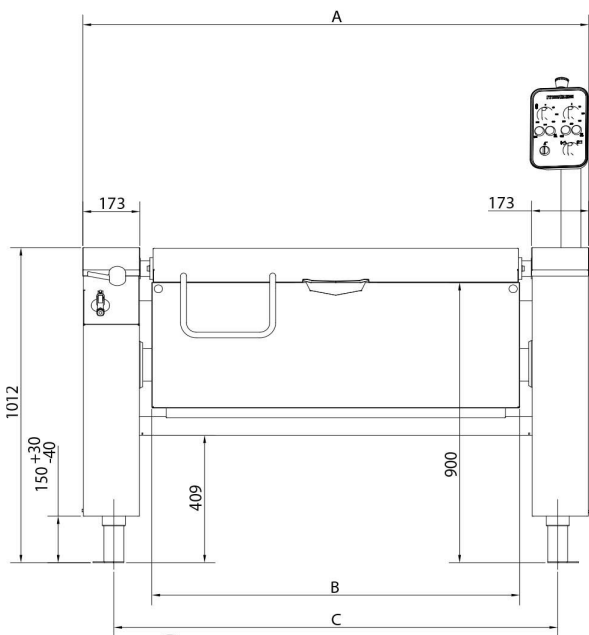
Product capacity	200 litres
Item width mm	1858
Item depth mm	948
Item height mm	1786
Package volume	3.04
Unit of volume	m ³
Package volume	3.04 m ³
Package length	190
Package width	100
Package height	160
Package unit of dimension	cm
Package dimensions (LxWxH)	190x100x160 cm
Net weight	370
Net weight	370 kg
Gross weight	426
Package weight	426 kg
Unit of weight	kg
Connection power kW	41.4
Fuse Size A	63
Connection voltage V	400/230
Number of phases	3NPE
Frequency Hz	50
Startup current A	60
Protection rating (IP)	X4
Cold water diam.	3/4
Cold water min pressure kPa	20
Cold water max pressure kPa	800
HACCP-connectivity	NO
Heat load sensitive W	18630

Bratt pan Metos Futura HD 200

Heat load latent W	16500
Power type	electric
Operation type	electromechanical
Cleaning	hand wash
Tilting	electric
Temperature probe	No
Oil filtering	No
Timer	No



METOS FUTURA HD



2. G3/4 male, one-way valve must be fitted.
Valve not included in delivery.

Metos	A	B	C	D	E
Futura HD 100	1208	790	1020	404	570
Futura HD 150	1533	1115	1345	567	560
Futura HD 200	1858	1440	1670	730	554