

# Bratt Pan Metos Futura HD 100L

The Metos Futura HD 100L frying pan is designed for frying and cooking in large capacity kitchens and is a good choice for demanding use. Two sturdy legs make the pan stable; and motorised tilting, easy cleaning and good safety features make the pan very easy to use. The pan needs to be fixed into the floor.

The Metos Futura HD 100 L frying pan has a single frying section with an adjustable temperature of 50 °C... 250°C. The aluminium core is surrounded by heating elements enabling quick heating of the pan. The frying area is 0.4 m<sup>2</sup> and its depth is 273 mm. Two GN1/1 dishes may be placed on the bottom of the frying pan. Double walls ensure good insulation.

The frying pan is equipped with motorised tilting. The tilting function cannot be used when the lid is on, or when the pan is being filled with water. The tilt angle for emptying the pan is 70° and the largest tilt angle is 90°. The distance between the pan's pouring spout and the floor is 570 mm (with a tilt angle of 68°).

- balanced and insulated cover
- continuous and seamless stainless steel frying surface
- stainless steel structure
- elevated control panel in the right foot
- electromechanical control
- emergency stop switch
- overheating protection

## OPTIONS

- water filling tap
- hand shower

## ACCESSORIES (ordered separately)

- strainer plate



## Bratt Pan Metos Futura HD 100L

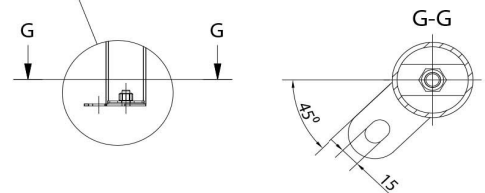
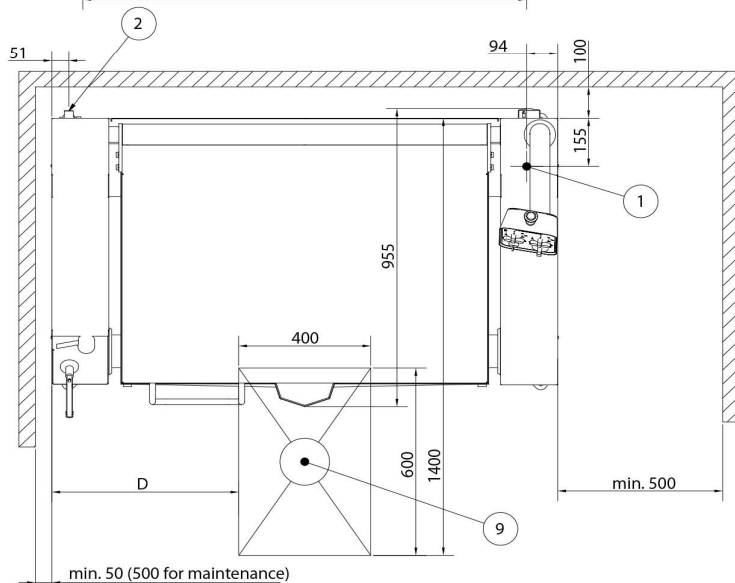
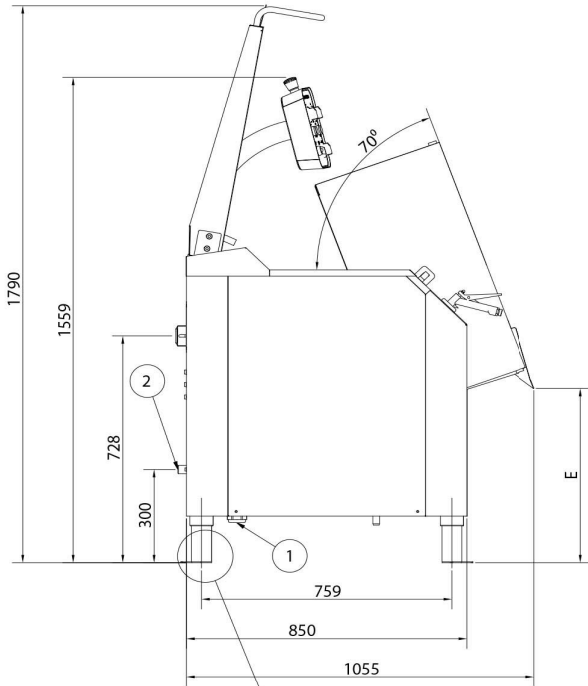
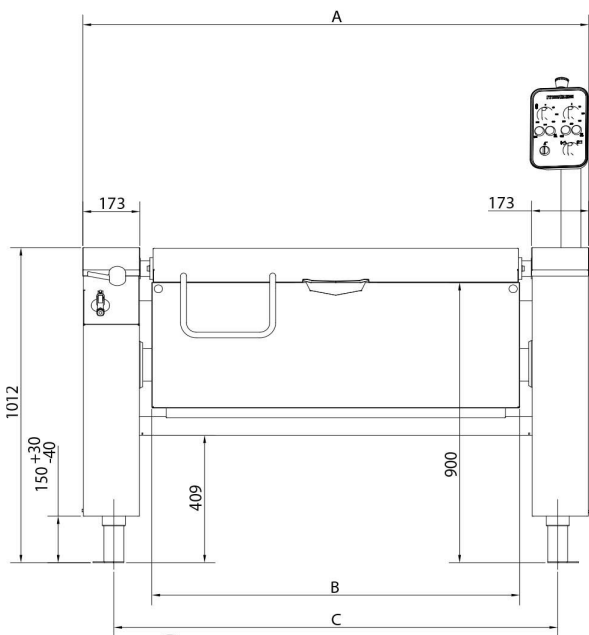
Product capacity	100 litres
Item width mm	1208
Item depth mm	955
Item height mm	1559
Package volume	2.08
Unit of volume	m3
Package volume	2.08 m3
Package length	130
Package width	100
Package height	160
Package unit of dimension	cm
Package dimensions (LxWxH)	130x100x160 cm
Net weight	280
Net weight	280 kg
Gross weight	320
Package weight	320 kg
Unit of weight	kg
Connection power kW	20.7
Fuse Size A	32
Connection voltage V	400/230
Number of phases	3NPE
Frequency Hz	50
Startup current A	30
Protection rating (IP)	X4
Electrical conn. height mm	150
Cold water diam.	G3/4
Cold water min pressure kPa	20
Cold water max pressure kPa	800
Floor drain needed	Yes

## Bratt Pan Metos Futura HD 100L

Sound level dB	70
HACCP-connectivity	NO
Heat load sensitive W	9315
Heat load latent W	8280
Power type	electric
Operation type	electromechanical
Cleaning	hand wash
Tilting	electric
Temperature probe	No
Oil filtering	No
Timer	No



## METOS FUTURA HD



2. G3/4 male, one-way valve must be fitted.  
Valve not included in delivery.

Metos	A	B	C	D	E
Futura HD 100	1208	790	1020	404	570
Futura HD 150	1533	1115	1345	567	560
Futura HD 200	1858	1440	1670	730	554