

Bratt pan Metos Futura 110L (pan 1040x530x90mm)

The short preheating time and strong electrical tilting makes cooking with Metos Futura 110L bratt pan more ergonomic and effortless.

L = frying zone 1040x530x90 mm.

The frying surface is made of thick steel which stores heat extremely well throughout the whole frying area. The frying surface has been divided into two frying zones that can be controlled separately. The temperature is adjustable between 0...+250°C. The heating time, to the set temperature, lasts for 5-6 minutes. The seamless surfaces and rounded corners make's the pan easy to clean. The volume of the pan area is 50 liters.

Metos Futura 110L bratt pan has a strong electrical tilting, which makes emptying of the pan more ergonomic. Tilting cannot be started if the lid is closed or the water filling (option) is in progress. Manual tilting is available as a factory option. In addition, the bratt pan can be equipped with height adjustment function (factory option) and water filling tap (factory option). Height adjustment and water filling works by pressing a button.

- balanced lid
- stainless steel external surfaces and lid
- uniform stainless steel frying area
- electro mechanical control
- overheating protection

FACTORY OPTIONS (to be ordered together with the bratt pan):

- height adjustment 800-950 mm
- manual tilting
- water tap



Bratt pan Metos Futura 110L (pan 1040x530x90mm)

Product capacity	50 L, total surface 1040 * 530
Item width mm	1100
Item depth mm	806
Item height mm	954
Package volume	1.318
Unit of volume	m3
Package volume	1.318 m3
Package length	122
Package width	90
Package height	120
Package unit of dimension	cm
Package dimensions (LxWxH)	122x90x120 cm
Net weight	195
Net weight	195 kg
Gross weight	225
Package weight	225 kg
Unit of weight	kg
Connection power kW	15.1
Fuse Size A	25
Connection voltage V	400/230
Number of phases	3NPE
Frequency Hz	50
Startup current A	21.8
Protection rating (IP)	X3
Type of electrical connection	Fixed
Electrical conn. height mm	360
Power type	electric
Operation type	electromechanical
Cleaning	hand wash

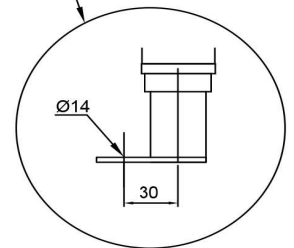
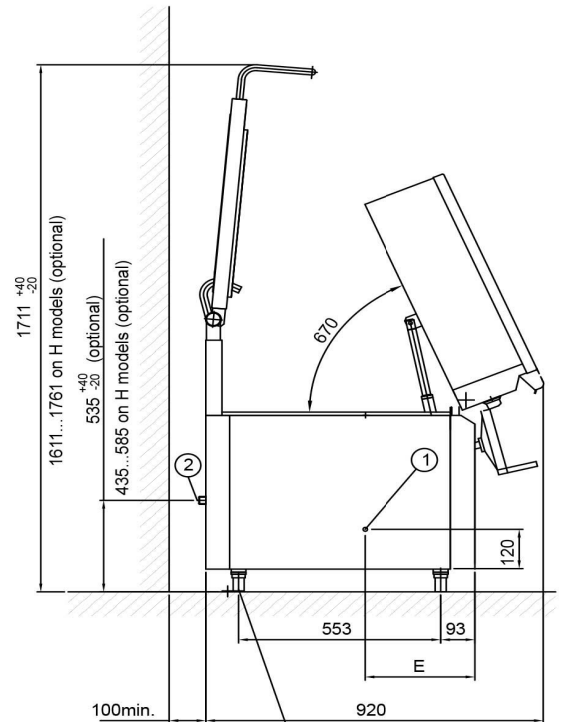
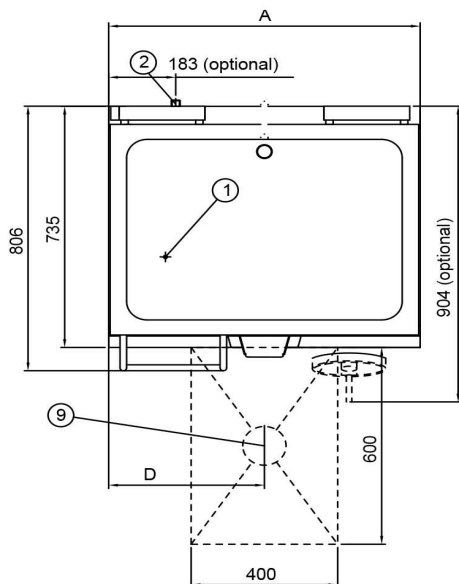
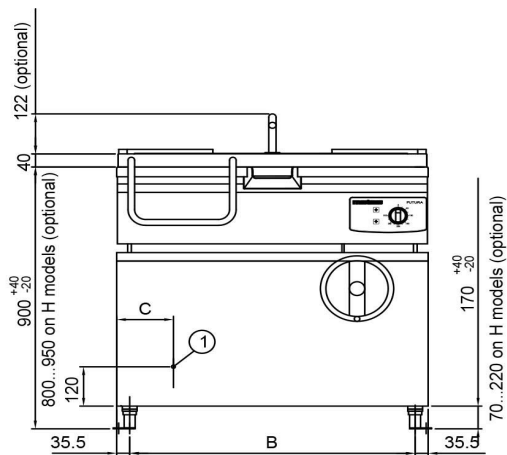
Bratt pan Metos Futura 110L (pan 1040x530x90mm)

Pan volume L	110
Temperature probe	No
Oil filtering	No
Timer	No

User Manual SE



METOS FUTURA



② R3/4", optional

Metos	A	B	C	D	E
Futura 60	600	529	120	300*	225
Futura 85	850	779	200	425	225
Futura 110	1100	1029	230	550	225

* manual tilting 200 mm