

# metos

## DROP-IN FROST PLANE

UPPER SHELF		DROP IN OPENINGS		NET WEIGHT
NOVA	NOVA PLUS	CODE	CODE	
4138757	4322057	DI-FrP 450	409 x 565 mm	48 kg
4138759	4322059	DI-FrP 800	745 x 555 mm	61 kg
4138761	4322061	DI-FrP 1200	1145 x 555 mm	74 kg
4138763	4322063	DI-FrP 1600	1545 x 555 mm	87 kg

The length of the connection cable is 3,2 m.

When constructing the counter, an opening for the connection cable must be considered. The opening must be at least the size of a plug (diameter min. 40 mm). In addition, the edges of the opening must be finished to make sure that the connection cable is not damaged by rubbing against the opening edge.

Drain: 22/16 mm  
Unit is fitted with a 1 m drain hose.

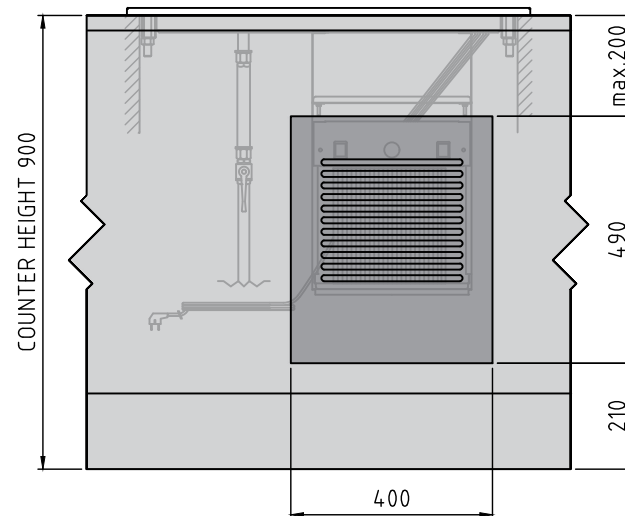
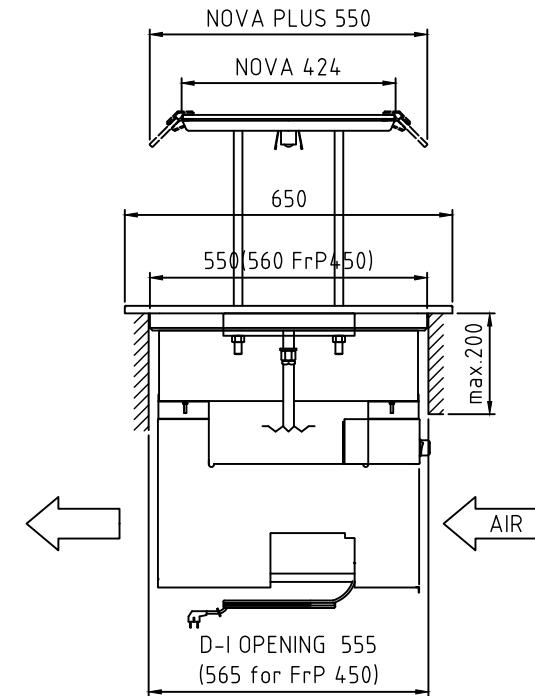
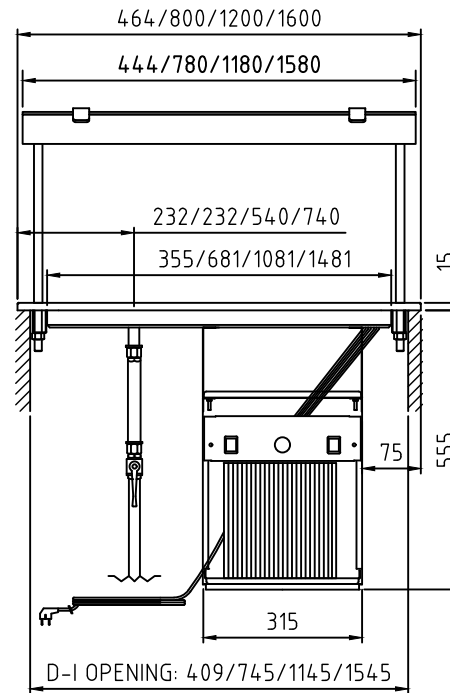
The counter, where drop-in units are installed, must be damp-proof and strong enough to bear the appliance weight.

### SERVICE- /VENTILATION DOOR

The grid must be larger in size than the condenser area, i.e. >0,09 m<sup>2</sup>. At least 50% of this area must be perforated.

Flow trough air circulation is recommended by fitting similar grid on the other side of the unit.

FrP 450/FrP 800/FrP 1200/FrP 1600



### SERVICE DOOR

