

DROP-IN BAIN MARIE

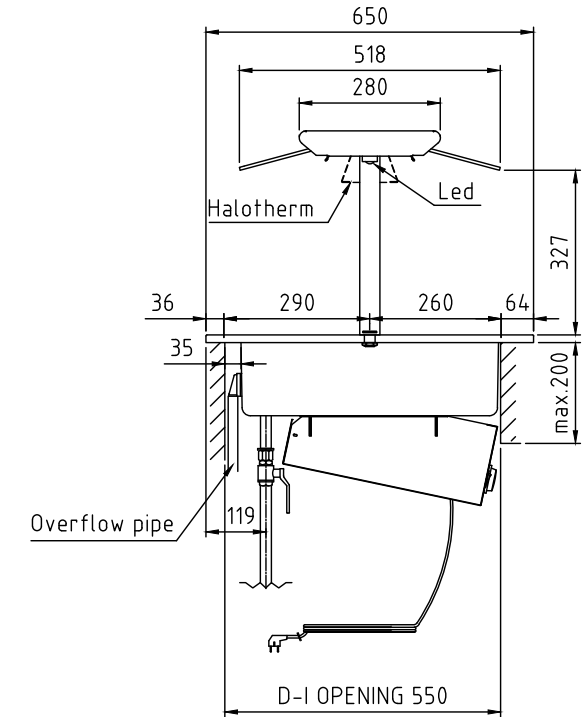
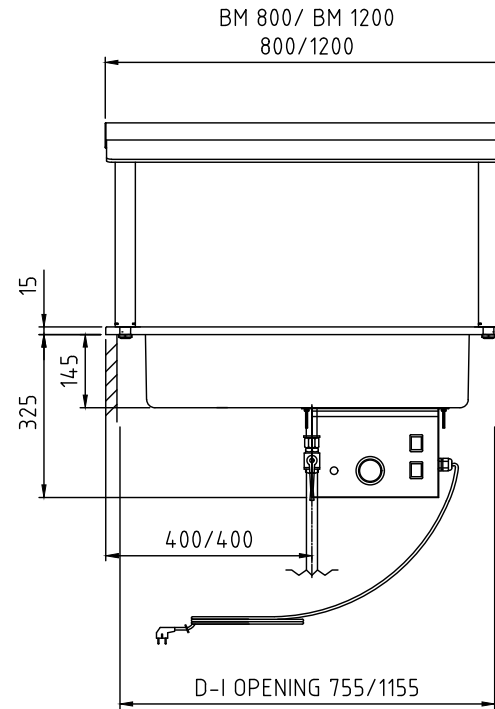
PROFF UPPER SHELF				
LED	HALOTHERM			
CODE	CODE	DROP IN OPENINGS		NET WEIGHT
4138878	4138902	DI-BM 800	755mm x 550mm	36 kg
4138880	4138904	DI-BM 1200	1155mm x 550mm	50 kg

The length of the connection cable is 3,2 m.

When constructing the counter, an opening for the connection cable must be considered. The opening must be at least the size of a plug (diameter min. 40 mm). In addition, the edges of the opening must be finished to make sure that the connection cable is not damaged by rubbing against the opening edge.

Drain: 22/16 mm
Unit is fitted with a 1 m drain hose.

The counter, where drop-in units are installed, must be damp-proof and strong enough to bear the appliance weight.



SERVICE DOOR

