

DROP-IN BAIN MARIE

CODE	DROP IN OPENINGS		NET WEIGHT
4138644	DI-BM 450	316mm x 550mm	12 kg
4138654	DI-BM 800	640mm x 550mm	21 kg
4138664	DI-BM 1200	965mm x 550mm	30 kg

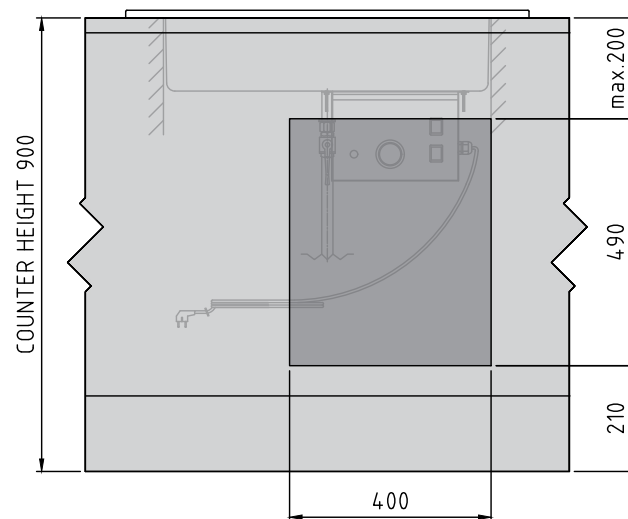
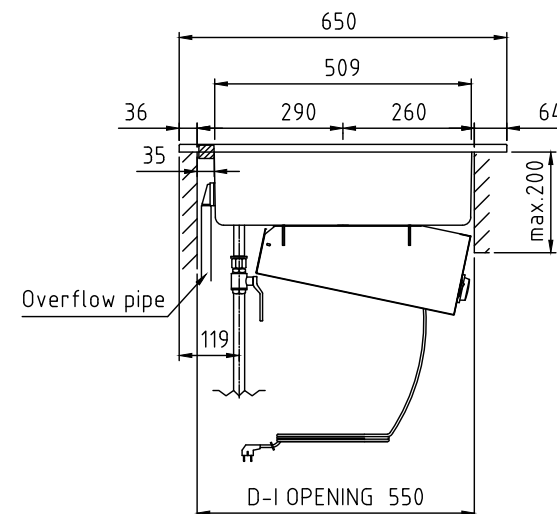
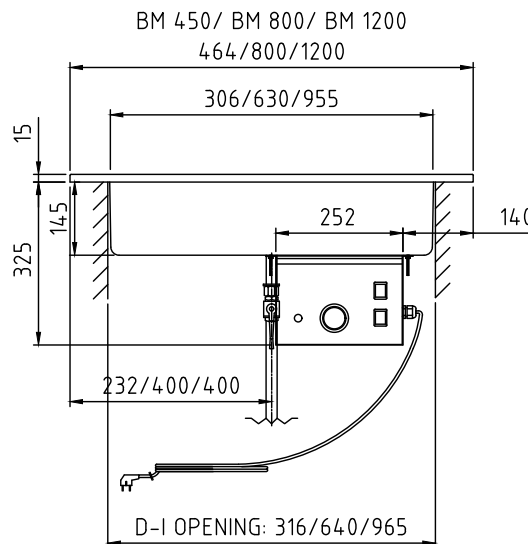
The length of the connection cable is 3,2 m.

When constructing the counter, an opening for the connection cable must be considered. The opening must be at least the size of a plug (diameter min. 40 mm). In addition, the edges of the opening must be finished to make sure that the connection cable is not damaged by rubbing against the opening edge.

Drain: 22/16 mm

Unit is fitted with a 1 m drain hose.

The counter, where drop-in units are installed, must be damp-proof and strong enough to bear the appliance weight.



SERVICE DOOR

