

Plate Dispenser Metos Drop-In PD 2x270 -750

Two cylinders, capacity about 90 plates. Max. diameter of plates 270 mm

- drop-in model without side panels
- drop-in hole size 388mm x 585mm
- unit's edge is 15 mm above the furniture's top plate
- recommended height of furniture 750 mm
- easily adjustable spring power according to weight of the plates

Accessories:

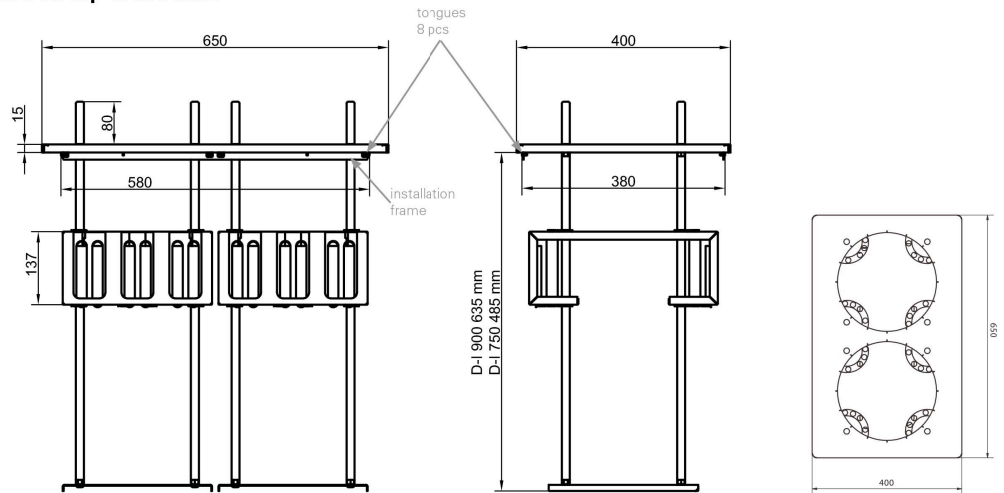
- Adjustment rods



Plate Dispenser Metos Drop-In PD 2x270 -750

Product capacity	appr. 65 plates
Item width mm	400
Item depth mm	650
Item height mm	500
Package volume	0.264
Unit of volume	m ³
Package volume	0.264 m ³
Package length	51
Package width	70
Package height	74
Package unit of dimension	cm
Package dimensions (LxWxH)	51x70x74 cm
Net weight	40
Net weight	40 kg
Gross weight	40
Package weight	40 kg
Unit of weight	kg

Installation on top of the table

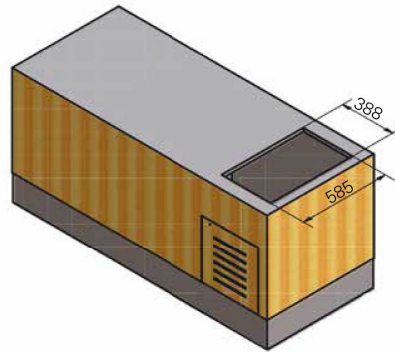


**Drop-in Plate dispenser
Metos D-I PD 2x270 neutral**

The counter, where drop-in units are installed, must be damp-proof and strong enough to bear the appliance weight.

When installing neutral plate dispensers, an installation frame should be mounted in the drop-in opening before lowering the cylinders. Bend down the eight tongues of the installation frame and then mount the frame. The tongues set the frame in the opening correctly. After this the cylinders are lowered into the installation frame.

Net weight:
D-I PD 2x270 40 kg



D-I opening

