

## Installation on top of the table

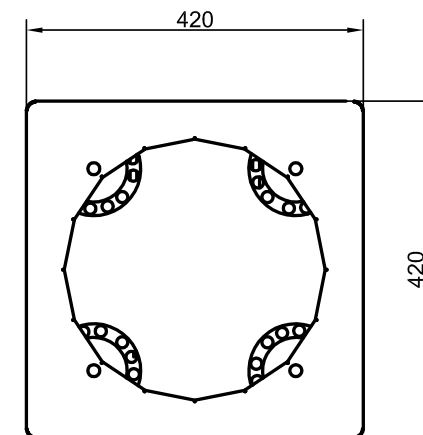
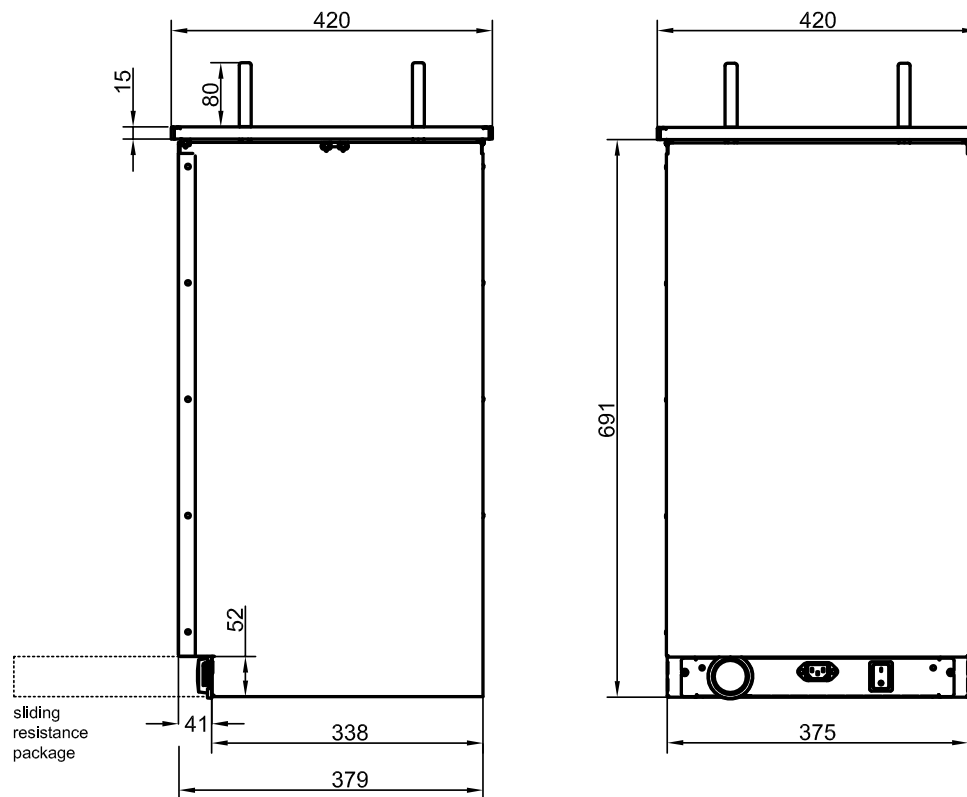
### Drop-in Plate dispenser Metos D-I LPDW-S 320 heat

Electric connection: 230V 1~ 0,7 kW 10A  
The length of the connection cable is 3,2 m.

When constructing the counter, an opening for the connection cable must be considered. The opening must be at least the size of a plug (diameter min. 40 mm). In addition, the edges of the opening must be finished to make sure that the connection cable is not damaged by rubbing against the opening edge.

The counter, where drop-in units are installed, must be damp-proof and strong enough to bear the appliance weight.

Net weight:  
D-I LPDW-S 320 25 kg



D-I opening

