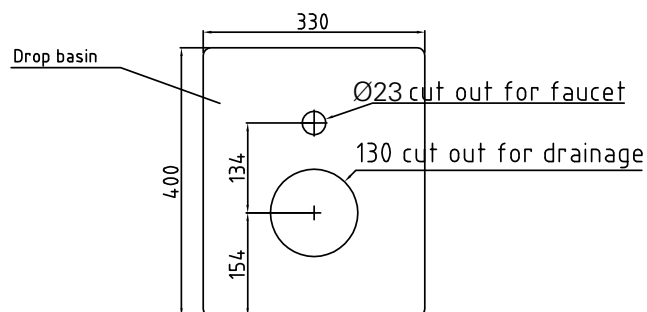
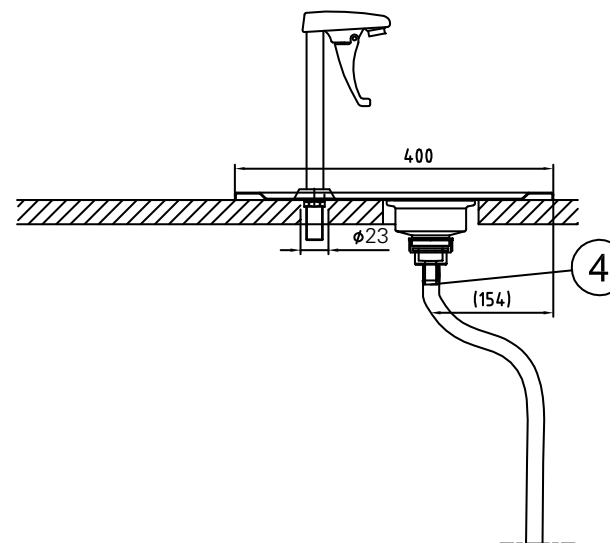
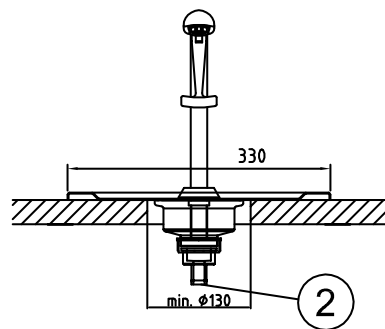


Installation on top of the table

Drop-in Water dispenser Metos D-IWD-N mechanical

The counter, where drop-in units are installed, must be damp-proof and strong enough to bear the appliance weight.

Net weight:
D-IWD-N 3 kg



The holes to the table for fastening the faucet and drainage.

- ② Cold water connection: R1/2", max 500 kPa
- ④ Drain: Connection for hose with 18 mm inner diameter. Hose not included in the delivery.