

Water Dispenser Metos

Drop-In WD-EN

Drop-in model to be palced into the furniture. Electrical faucet

- drain in top plate
- neutral without cold machine



Water Dispenser Metos Drop-In WD-EN

Product capacity	60 litre / hour
Item width mm	330
Item depth mm	400
Item height mm	15
Package volume	0.009
Unit of volume	m3
Package volume	0.009 m3
Package length	38
Package width	45
Package height	5
Package unit of dimension	cm
Package dimensions (LxWxH)	38x45x5 cm
Net weight	4
Net weight	4 kg
Gross weight	4
Package weight	4 kg
Unit of weight	kg
Connection power kW	0.1
Fuse Size A	10
Connection voltage V	230
Number of phases	1N
Frequency Hz	50
Type of electrical connection	Plug
Remarks (electrical)	EL.faucet,semi-fixed,1N,230V
Cold water diam.	R1/2"
Cold water max pressure kPa	500
Drain diameter	R1/2"

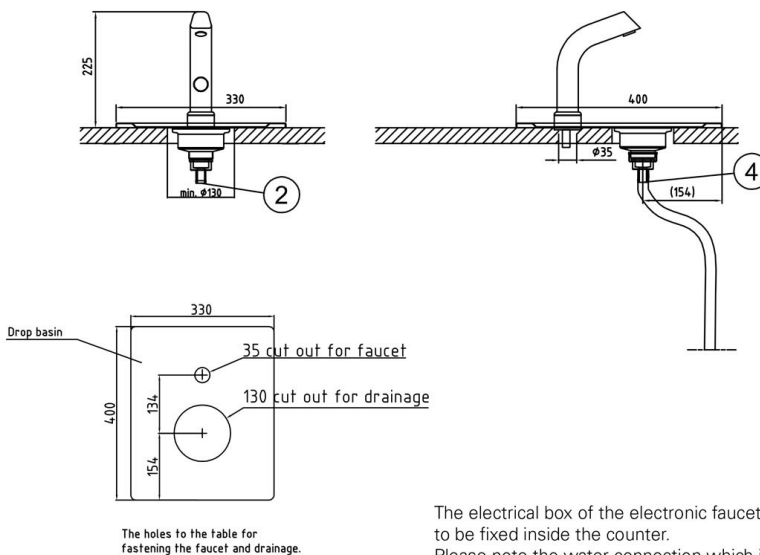
Installation on top of the table

Drop-in Water dispenser Metos D-IWD-EN electrical

When constructing the counter, an opening for the connection cable must be considered. The opening must be at least the size of a plug (diameter min. 40 mm). In addition, the edges of the opening must be finished to make sure that the connection cable is not damaged by rubbing against the opening edge.

The counter, where drop-in units are installed, must be damp-proof and strong enough to bear the appliance weight.

Net weight:
D-IWD-EN 4 kg



The electrical box of the electronic faucet has to be fixed inside the counter. Please note the water connection which is connected to the electrical box.

- ① Electric connection: 230V, 1~, 0,1kW, 10A
- ② Cold water connection: R1/2", max 500 kPa
- ④ Drain: Connection for hose with 18 mm inner diameter.
Hose not included in the delivery.