

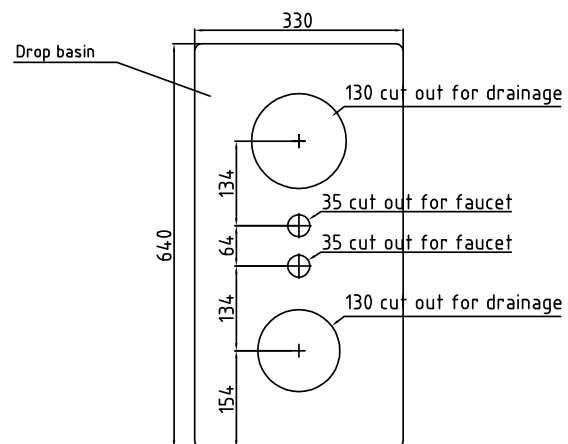
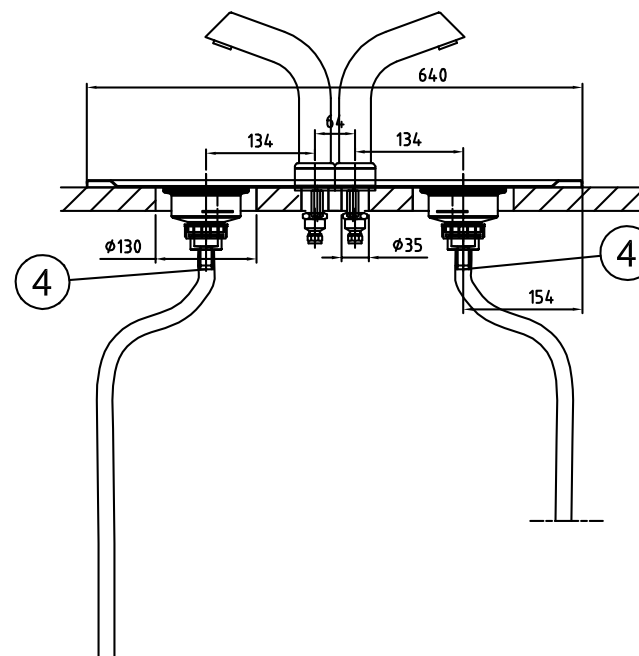
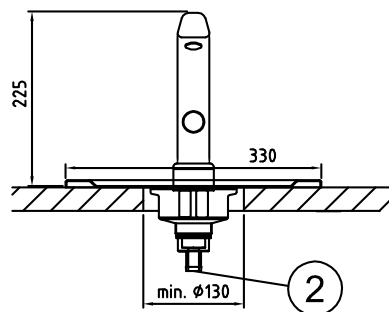
Installation on top of the table

Drop-in Water dispenser Metos D-I WD-EN-2 electrical

When constructing the counter, an opening for the connection cable must be considered. The opening must be at least the size of a plug (diameter min. 40 mm). In addition, the edges of the opening must be finished to make sure that the connection cable is not damaged by rubbing against the opening edge.

The counter, where drop-in units are installed, must be damp-proof and strong enough to bear the appliance weight.

Net weight:
D-I WD-EN-2 5 kg



The holes to the table for fastening the faucet and drainage.

The electrical box of the electronic faucet has to be fixed inside the counter. Please note the water connection which is connected to the electrical box.

- ① Electric connection: 230V, 1~, 0,1kW, 10A
- ② Cold water connection: R1/2", max 500 kPa
- ④ Drain: Connection for hose with 18 mm inner diameter. Hose not included in the delivery.